

---

## VALVE AND HYDRANT PRICE BOOK

---

[HTTP://WWW.CLOWVALVE.COM](http://www.clowvalve.com)

**EFFECTIVE DATE      May 25, 2023**

CLOW VALVE COMPANY  
902 SOUTH SECOND ST.  
OSKALOOSA, IA 52577  
PH# 800-829-2569  
FAX# 641-673-8269

CLOW VALVE COMPANY  
7345 SYCAMORE CANYON BLVD  
SUITE 102  
RIVERSIDE, CA 92508  
PH# 888-889-2411  
FAX# 951-735-0837

## TERMS AND CONDITIONS OF SALE

1. **ENTIRE AGREEMENT.** Clow Valve Company (the "Seller"), a division of McWane, Inc. agrees to sell the goods covered herein (the "Goods") to Buyer on the following terms and conditions of sale (the "Terms and Conditions") which supersedes and other or inconsistent terms of Buyer. This contract constitutes the entire agreement between parties with respect to the Goods, and this Agreement may not be modified, amended or waived in any way except in writing signed by an authorized representative of Seller. No representation, promise or term not set forth herein has been nor may be relied upon by Seller. No representation, promise or term not set forth herein has been nor may be relied upon by Buyer. All references by Seller to Buyer's specifications and similar requirements are only to describe the products and work covered hereby and no warranties or other terms therein shall have any force or effect.
2. **QUOTATIONS.** Where this form is used by Seller to place a bid, the quotation stated herein is for prompt acceptance and is subject to change and/or withdrawal without notice. Prompt acceptance of all quotations and adherence to delivery schedules are material terms of the bid and any subsequent agreement. In cases where freight allowance is included in the quotation, Buyer is liable for any rate increase and/or additional expense over the calculated allowance resulting from compliance with Buyer's shipping instructions.
3. **ACCEPTANCE.** This order shall not be binding upon Seller until accepted by an authorized representative of Seller at its home office. Acceptance of orders, whether oral or written, is based on the express condition that Buyer agrees to all of these Terms and Conditions in their entirety.
4. **DELIVERY.** All prices are F.O.B. Seller's plant, unless otherwise specified by Seller. All shipping dates are approximate, and any time period indicated for a shipment shall not commence until receipt at Seller's plant of complete manufacturing, shipping, and credit information. Acceptance of shipment by designated shipper, allocation of Goods to Buyer at premises other than Seller's, delivery to Buyer's representative or designee, or mailing of an invoice to buyer, whichever first occurs, shall constitute tender of delivery. Upon tender of delivery, title shall pass to Buyer, subject to Seller's right of stoppage in transit and to any interest of Seller reserved to secure Buyer's payment or performance, irrespective of any freight allowance or prepayment of freight. Goods held subject to Buyer's instructions. Goods for which buyer has failed to supply shipping instructions, or in any case where Seller, in its sole discretion, determines any part of the Goods should be held for Buyer's account. Seller may invoice the Goods and Buyer agrees to make payment at the maturity of the invoice rendered. Goods invoiced and held at any location for whatever reason shall be at Buyer's risk and Seller may charge for (but is not obligated to carry) insurance, storage and other expenses incident to such delay at its prevailing rates. Partial deliveries shall be accepted by Buyer and paid for at contract prices and terms. When Buyer has declared or manifested an intention not to accept delivery, no tender shall be necessary but Seller may, at its option, give notice in writing to Buyer that Seller is ready and willing to deliver and such notice shall constitute a valid tender of delivery, in no event shall Buyer be entitled to make any deduction from any payment due hereunder by reason of loss or damage in transit. Upon the written request of Buyer, Seller, at its sole discretion may agree as a service to Buyer to process Buyer's claim against the carrier for any loss or damage in transit, provided that such claim is received by Seller within five (5) days of the receipt of Goods. Any such claims must be accompanied by a delivery receipt, signed by carrier's agent at time of delivery, on which receipt the loss or damage has been noted, in the absence of directions. Goods will be shipped by the method and via carrier Seller believes dependable. Delivery by truck will be made to nearest points, reasonably accessible by truck as determined by the driver. Buyer will furnish and pay for necessary labor to unload and store Goods. Buyer shall note loss or damage on truck shipments upon delivery ticket returned to Seller, or such claims shall be waived. Buyer must report any shortages within three days of receipt of the initial shipment.
5. **TERMS OF PAYMENT.** Terms to Buyers whose credit has been approved in writing by Seller is as follows unless otherwise agreed upon in writing by Seller.
- | Invoice Dates   | Terms                                 |
|-----------------|---------------------------------------|
| 1* through 15*  | 2% 30* Net 15* of the following month |
| 16* through 30* | 2% 15* Net 30* of the following month |
- Seller shall have the right to make partial shipments and payment therefor shall be due according to the above terms. If at any time or for any any reason, Seller shall have cause to question Buyer's ability to perform, Seller may demand such assurances of Buyer's performance as Seller shall deem necessary in its discretion, including payment in advance for all shipments. If Buyer fails within ten days of Seller's demand to provide Seller with such assurance, Seller shall be entitled to cancel any order then outstanding, receive reimbursement for its reasonable and proper cancellation charges and may proceed to collect, without limitation, any sums due and owing, its reasonable cancellation charges and all damage resulting from Buyer's default. In the event of bankruptcy or insolvency of Buyer, or in the event of any proceeding brought against Buyer, voluntarily or involuntarily, under bankruptcy or any insolvency laws, Seller shall be entitled to cancel any order then outstanding at any time and shall receive reimbursement for its cancellation charges. If Buyer fails to make payment for Goods when due, Buyer shall be liable to the Seller for a service charge of eighteen percent (18%) per annum or the maximum allowed by law, whichever is greater, on any unpaid amount. Buyer shall be liable for all costs and expenses of collection, including courts costs and reasonable attorney fees.
6. **CANCELLATION, CHANGES, AND RETURNS.** This order is not subject to cancellation, change, or return unless agreed to in writing by an authorized representative of Seller. At Seller's option, Buyer may be charged for any and all costs incurred by the Seller prior to or as a result of such cancellation, change, or return. In the event of any change, Seller shall be entitled to revise its prices and delivery dates to reflect such change. When Seller's agreement is obtained Seller will accept returned material for credit if, in its sole discretion, it finds such material to be standard stock and in good condition. Such credit shall be in the invoice price less a minimum 35% restock and handling charge on acceptable goods, less all shipping charges, in all other cases, the credit in the Seller's sole discretion shall be scrap value of the Goods, less shipping and handling charges.
7. **DELAY IN OR PREVENTION OF PERFORMANCE.** Seller shall not be liable for any expense, loss or damage resulting from delay in delivery or prevention or performance caused by fires, floods, acts of God, strikes, labor disputes, labor shortages, lack of or inability to obtain materials, fuels, supplies or equipment, riots, accidents, transportation delays, acts or failures to act of any government or of Buyer, or any other cause whatsoever, provided that such cause is beyond the reasonable control of Seller, and Seller shall have such additional time for performance as may be reasonably necessary under the circumstances and may adjust the price to reflect increases occasioned by such delay. Acceptance by Buyer of any Goods shall constitute a waiver by Buyer or any claim for damages on account of any delay in delivery of such Goods. If delivery is delayed or interrupted for any such cause, Seller may store the Goods at Buyer's expense and risk, and Seller may charge Buyer therefor a reasonable storage rate. If Seller is delayed in proceeding with production or otherwise because it is awaiting Buyer's approval or acceptance of designs, drawings, prints, engineering or technical data, or is awaiting Buyer's approval or acceptance of the Goods, Seller shall be entitled to an adjustment in price commensurate with any increase in Seller's cost of production and any other losses and expenses incurred by Seller attributable to such delays.
8. **DEFERRED DELIVERY.** Any deferred delivery request by Buyer shall be subject to Seller's written approval. If such approval is given, Seller shall have the right to charge Buyer for the completed portion of the order and to warehouse all completed Goods at Buyer's expense and risk of loss. Seller also reserves the right, at its option, as to any uncompleted portion of the order to cancel said uncompleted portion in accordance with Paragraph 6 above, or to revise its prices and delivery schedules on the portion not completed to reflect its increased costs and expenses attributable to the delay.
9. **WARRANTY AND LIMITATION OF LIABILITIES AND BUYER'S REMEDIES.** Seller warrants that the Goods delivered hereunder shall be of the kind described in the within agreement and free from defects in material and workmanship under conditions of normal use. Seller reserves the rights to make any modifications required by production conditions to the information set forth in Seller's catalogues and advertising literature. Seller shall not be liable or responsible, however, for (A) any defects attributed to normal wear and tear, erosion or corrosion or improper storage, use or maintenance, or (B) defects in any portion or part of the Goods manufactured by others. If (B) above is applicable, Seller will, as an accommodation to Buyer, assign to Buyer any warranties given to it by any such other manufacturers. Any claim by Buyer with reference to the Goods for any such cause shall be deemed waived by Buyer unless submitted to Seller in writing within ten (10) days from the date Buyer discovered, or should have discovered, any claimed breach. Buyer shall give Seller an opportunity to investigate.
- Provided that the Seller is furnished prompt notice by Buyer of any defect and an opportunity to inspect the alleged defect as provided herein, Seller shall at its option and in its sole discretion either, (i) repair the defective or non-conforming Goods, (ii) replace the nonconforming Goods, or part thereof, which are sent to Seller by Buyer within sixty days after receipt of the Goods at Buyer's plant or storage facilities, or (iii) if Seller is unable or chooses not to repair or replace, return the purchase price that has been paid and cancel any obligation to pay any unpaid portions of the purchase price of non-conforming Goods. In no event shall any obligation to pay or refund exceed the purchase price actually paid. Repair and/or replacement as provided above shall be at Seller's plant and shipped FOB Plant unless otherwise agreed to by Seller. Transportation charges for the return of the Goods or part thereof to Seller shall be prepaid by Buyer, unless otherwise agreed to in writing by Seller. Seller shall in no event be responsible for any labor, removal or installation charges that may result from the above-described repair and/or replacement of any Goods. The foregoing warranty does not cover failure of any part or parts manufactured by others, the failure of any part or parts from external forces, including but not limited to earthquake, installation, vandalism, vehicular or other impact, application of excessive torque to the operating mechanism or frost heave. The exclusive remedy of Buyer and the sole liability of Seller, for any loss, damage, injury or expense of any kind arising from the manufacture, delivery, sale, installation, use or shipment of the Goods and whether based on the contract, warranty, tort or any other basis of recovery whatsoever, shall be, at the election of Seller, the remedies described above. The foregoing is intended as a complete allocation of the risks between the parties and Buyer understands that it will not be able to recover consequential damages even though it may suffer such damages in substantial amounts. Because this Agreement and the price paid reflect such allocation this limitation will not have failed or its essential purpose even if it operates to bar recovery for such consequential damages.
- THE FOREGOING WARRANTY IS EXCLUSIVE AND IN LIEU OF ALL OTHER WARRANTIES WHETHER EXPRESS OR IMPLIED BY LAW. THERE IS NO IMPLIED WARRANTY OF MERCHANTABILITY OR FITNESS FOR A PARTICULAR PURPOSE. IN NO EVENT, WHETHER AS A RESULT OF BREACH OF CONTRACT, WARRANTY, TORT (INCLUDING NEGLIGENCE) OR STRICT LIABILITY, SHALL SELLER BE LIABLE FOR ANY PUNITIVE, SPECIAL INCIDENTAL OR CONSEQUENTIAL DAMAGES INCLUDING, BUT NOT LIMITED TO, LOSS OF PROFIT, LOSS OF USE OF THE GOODS OR OTHER PROPERTY, EQUIPMENT, DAMAGE TO OTHER PROPERTY, COST OF SUBSTITUTE GOODS, DOWNTIME, OR THE CLAIMS OF BUYER'S CUSTOMERS FOR ANY OF THE AFORESAID DAMAGES. SELLER SHALL NOT BE LIABLE FOR AND BUYER AGREES TO INDEMNIFY SELLER FOR ALL PERSONAL INJURY, PROPERTY DAMAGE OR OTHER LIABILITY RESULTING IN WHOLE OR IN PART FROM THE NEGLIGENCE OF BUYER.**
- In any contract by Buyer for resale of the Goods Buyer shall effectively disclaim, as against Seller, any implied warranty of merchantability and all liability for property damage or personal injury resulting from the handling, possession or use of the Goods, and shall exclude, as against Seller, any liability for special or consequential damages.
10. **PATENTS.** If any claim is made against Buyer based on a claim that any of the Goods constitute an infringement of any U.S. Letter Patent, Buyer shall notify Seller immediately. Seller shall have the right, with Buyer's assistance, if required, but at Seller's expense, to conduct settlement negotiations of any litigation. If any of the Goods are held to infringe any U.S. Letter Patent, and their use is enjoined or, if as a result of a settlement, Seller deems their continued use unadvisable and provided that Buyer has given Seller the immediate notice provided for above and has used the goods only in accordance with the provisions of this order and shall not have altered or changed them in any material way, Seller shall, at its option and expense, procure for Buyer the right to continue using the Goods, modify the Goods so that they become non-infringing, replace the Goods with non-infringing Goods of substantial equality quality, or replace the Goods and refund the purchase price, less reasonable depreciation. The foregoing states Seller's entire liability for patent infringement.
11. **CONTROLLING LAW.** This Agreement and all rights and obligations hereunder shall be governed by the laws of the State of Iowa. Any claim by Buyer arising hereunder shall be tried in the courts of Iowa to which jurisdiction Buyer hereby submits.
12. **ARBITRATION; DISPUTE RESOLUTION; PRESERVATION OF FORECLOSURE REMEDIES.** At the option or election of Seller, any dispute, claim or controversy ("Dispute") between Seller or Buyer relating to the transactions contemplated by this agreement, including without limitation any claim based on or arising from an alleged tort, shall be resolved by binding arbitration in accordance with Title 9 of the U.S. Code and the Commercial Arbitration Rules of the American Arbitration Association (the "AAA"). Defenses based on statutes of limitation and similar doctrines shall be applicable in any such proceeding, and the commencement of an arbitration proceeding under this Agreement shall be deemed the commencement of an action for such purposes. The arbitrator shall be selected in accordance with the Commercial Arbitration Rules of the AAA. The AAA shall designate a panel of ten (10) potential arbitrators knowledgeable in the subject matter of the Dispute. Each of Seller and Buyer shall designate, within thirty (30) days of the receipt of the list of potential arbitrators, one of the potential arbitrators to serve, and the two arbitrators so designated shall select a third arbitrator from the eight remaining candidates.
13. **WAIVER.** No delay or failure by Seller to exercise any right or remedy under these Terms and Conditions shall be construed to be a waiver thereof. Waiver by Seller of any breach shall be limited to the specific breach so waived and shall not be construed as a waiver of any subsequent breach.
14. **ASSIGNMENT.** Buyer may not assign this order or any rights hereunder without the prior written consent of Seller. This Agreement, and the Terms and Conditions contained herein, are enforceable, however, against the successors and assigns of Buyer.
15. **TAXES.** Seller's prices do not include sales, use, excise or other similar taxes. Consequently, in addition to the price specified herein, the amount of any present or future such tax shall be paid by buyer, or in lieu thereof, Buyer shall provide Seller with all tax exemption certificates required by the taxing authorities, at the time of sale.
16. **CUMULATIVE NATURE OF REMEDIES.** All remedies of Seller set forth herein shall be cumulative and shall be in addition to any other remedies available to Seller, whether at law, equity or otherwise.

**CLOW VALVE & HYDRANT PRICE BOOK****Effective 4/19/23**

Division of McWane, Inc.

NOTE: Route all order entry, general  
correspondence & quotation requests to:Clow Valve Company  
902 South 2nd Street  
Oskaloosa, Iowa 52577Oskaloosa, Ia. Phone 641-673-8611  
Fax 641-673-82697345 Sycamore Canyon Blvd  
Suite 102  
Riverside, CA 92508Riverside, Ca Phone 951-735-5555  
Fax 951-735-0837

Accessories	37
Butterfly Valves	47
Check Valves	39
Check Valve Parts	40-42
Double Disc Gate Valves	22
DDGV Adders (gearing, bypass, etc)	23
DDGV List 16 Heavy Pressure	24
DDGV Parts	25-27
Eccentric Plug Valves	44-46
Eddy Hydrants	13
Eddy Extensions, Assemblies and Kits	14
Eddy Parts	15-17
F2500 Kits and Extensions	9
F2500 Parts	10-12
Floorstands, Ext Stems, Stem guides	38
In Plant: Mud, Flap, Shear, PRV, etc	43
Indicator Posts	48-49
Iowa Hydrant Extensions and Kits	18
Iowa Parts	19-21
Medallion Hydrants	3
Medallion Extensions and Kits	4
Medallion Parts	5-8
Resilient Wedge Gate Valves	28
RW NRS Parts	29-33
RW OS&Y Parts	34-36
Wet Barrel Hydrants	50-58
Weights	59-63
Pallet Quantities	64

## Clow Medallion F2545 Fire Hydrant (AWWA - ULFM) 1987-Started Making

4 1/2" MVO			5 1/4" MVO			
Trench Depth	3-Way	2 - hose	Trench Depth	3-Way	2-Hose	2-Pumper
2'6"	\$4,041	\$3,609	2'6"	\$4,159	\$3,766	\$3,987
3'	\$4,120	\$3,687	3'	\$4,261	\$3,868	\$4,089
3'6"	\$4,198	\$3,766	3'6"	\$4,363	\$3,970	\$4,191
4'	\$4,277	\$3,845	4'	\$4,466	\$4,072	\$4,293
4'6"	\$4,356	\$3,924	4'6"	\$4,567	\$4,174	\$4,395
5'	\$4,435	\$4,003	5'	\$4,669	\$4,276	\$4,497
5'6"	\$4,514	\$4,081	5'6"	\$4,771	\$4,378	\$4,599
6'	\$4,592	\$4,160	6'	\$4,873	\$4,480	\$4,701
6'6"	\$4,671	\$4,239	6'6"	\$4,975	\$4,581	\$4,804
7'	\$4,750	\$4,317	7'	\$5,077	\$4,684	\$4,906
7'6"	\$4,829	\$4,396	7'6"	\$5,179	\$4,786	\$5,008
8'	\$4,907	\$4,475	8'	\$5,281	\$4,888	\$5,110
8'6"	\$4,986	\$4,554	8'6"	\$5,383	\$4,990	\$5,212

**4" shoe not available on 5 1/4" MVO hydrant**

**Notes:**

MJ l/acc, Flanged or Vertical Shoe deduct \$74

**Adders:**

All adders are list each.

For each additional 6" trench depth add	4 1/2" MVO	\$79	5 1/4" MVO	\$102
Storz Connectors	4"	\$566	5"	\$665
DI Retainer Glands	4"	\$70	6"	\$81
8" MJ shoe - 5 1/4 MVO only (add to 5" w/acc price)	w/acc	\$129	l/acc	\$86
Independent Hose Gate Valves (T5000021) 109XMN				\$485
Drain Ring Plugs (T0200675)			(Use with 3/16" allen wrench)	\$2
316 S/S B&N				POA
Tamper Resistant Weathershield				POA
Mountain Hydrant (26" from breakflange to center line of pumper nozzle)				POA
HDPE				\$451
Grease Zerk				\$40

**Tools:**

Hydrant Seat Wrench	T1600826	\$726
Thrust Nut Wrench	I1600827	\$494
Adjustable Wrench	R1620111	\$78
Hose Nozzle Tool	R1620672	\$255
Pumper Nozzle Tool (4")	T1620845	\$407
Pumper Nozzle Tool (4 1/2")	R1620895	\$407
Jam Nut Removal Socket	M1600961	\$89
Tamper Resistant Thrust Nut Wrench	R162A001	\$563
Easy Grab Seat Tool	R1620954	\$550
Hydrant Grease - 15-50A Cartridge	T3100139	\$33

\* Must buy in case quantities of 10 ea

### Clow Medallion Hydrant Extensions

4 1/2" MVO			5 1/4" MVO		
Length	With S/S B&N	List Price	Length	With S/S B&N	List Price
6"	R1620872	\$705	6"	R1620679	\$787
12"	R1620873	\$828	12"	R1620680	\$919
18"	R1620874	\$880	18"	R1620681	\$1,043
24"	R1620875	\$976	24"	R1620682	\$1,133
30"	R1620876	\$1,620	30"	R1620867	\$1,665
36"	R1620877	\$1,740	36"	R1620887	\$1,786
42"	R1620878	\$1,755	42"	R1620888	\$1,860
48"	R1620879	\$1,848	48"	R1620889	\$2,213
54"	R1620880	\$2,000	54"	R1620890	\$2,383
60"	R1620881	\$2,043	60"	R1620891	\$2,426
66"	R1620882	\$2,090	66"	R1620892	\$2,472
72"	R1620883	\$2,134	72"	R1620893	\$2,516

**Extensions complete with barrel, flange, stem, coupling, pins, bolts, nuts, and gasket  
Ext Kits (excludes barrel and stem)**

4 1/2 MVO with S/S	R1620884	\$314
5 1/4 MVO with S/S	R1620698	\$314

**Other Kits:**

4 1/2" MVO	Part#	
Break Flange Standard	R1620652	\$356
Break Flange w/ S/S B&N	R1620858	\$356
Bonnet/Cover*	R1621164	\$75
*Consists of M1, M2, M28, M31, M32		
Main Valve**	R1620654	\$114
EPDM	R1621011	\$114
**Consists of M15, M16, M20-M22		
Cover Repair Kit	R1621164	\$55

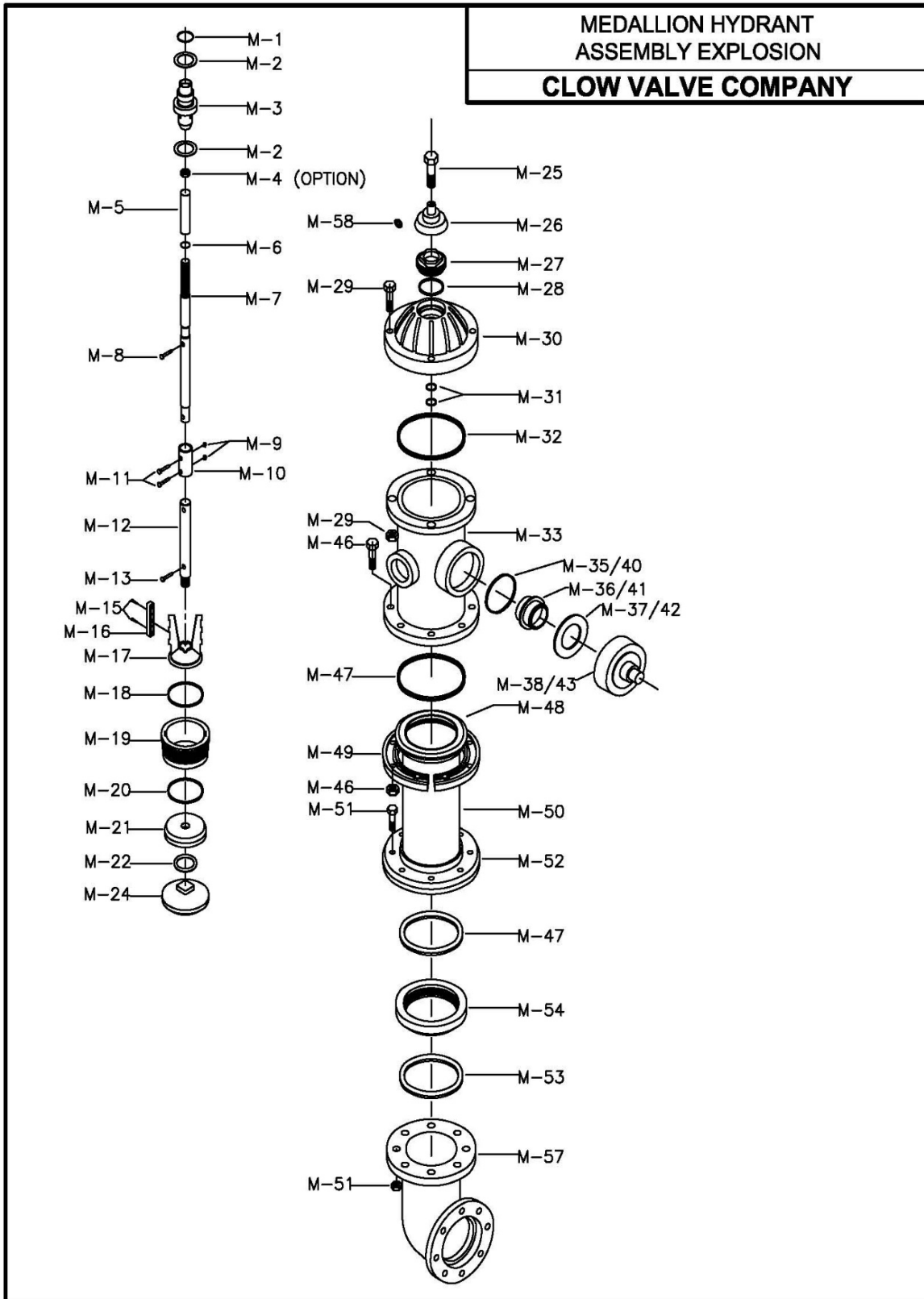
5 1/4" MVO	Part#	
Break Flange Standard	R1620653	\$356
Break Flange w/ S/S B&N	R1620859	\$356
Bonnet/Cover*	R1621165	\$75
*Consists of M1, M2, M28, M31, M32		
Main Valve**	R1620655	\$131
EPDM	R1621012	\$131
**Consists of M15, M16, M20-M22		

**Assemblies:**

4 1/2 MVO		
Seat Ring Upper/Lower Valve Plate Assy*	R1620770	\$395
EPDM	R1621009	\$395
*Consists of M15-M24		

5 1/4 MVO		
Seat Ring Upper/Lower Valve Plate Assy*	R1620771	\$447
EPDM	R1621155	\$447
*Consists of M15-M24		

HD Seat Ring Upper/Lower Valve Plate Assy*	R1621026	\$447
*Consists of M15-M24		
***Assemblies have repair discount NOT KIT		



**4 1/2" & 5 1/4" MEDALLION HYDRANT PARTS****\* All prices are list each \***

<u>Detail</u>	<u>Qty</u>	<u>Description</u>	<u>4 1/2" P/N</u>	<u>Price</u>	<u>5 1/4" P/N</u>	<u>Price</u>
M-1	1	Operating Nut O ring #131 Buna	T2400815	\$9	T2400815	\$9
		Operating Nut O ring #131 EPDM	T2401289	\$9	T2401289	\$9
M-2	2	Operating Nut Thrust Bearing	T0200669	\$2	T0200669	\$2
M-3	1	Operating Nut for Shoe Stop	<b>4 1/2 &amp; 5 1/4 OL</b>		<b>4 1/2 &amp; 5 1/4 OR</b>	
		A (1 1/2" Pent.)	F0800581	\$171	F0800582	\$171
		C (1 1/4" Pent.)	F0800597	\$171	F0800605	\$171
		D (1 1/8" Pent.)	F0800598	\$171	F0800606	\$171
		F (1" sq.)	F0800602	\$171	F0800607	\$171
		G (7/8" Sq.)	F0800608	\$171	F0800603	\$171
		K (1 3/16" Sq.)	F0800611	\$171	F0800612	\$171
		P (1 3/4" Pent.)	F0800601	\$171	F0800610	\$171
M-4	1	Stem Jam Nut- OL	T0400543	\$22	T0400543	\$22
		For Bonnet Stop OR	T0400607	\$22	T0400607	\$22
M-5	1	Upper Stem Sleeve (See M-7)				
M-6	1	Upper Stem Slv O-ring #119 Buna	T2400580	\$1	T2400580	\$1
		Upper Stem Slv O-ring #119 EPDM	T2401287	\$1	T2401287	\$1
M-7	1	Upper Stem (Includes M5 - M11)				
		OPEN LEFT - Buna	M2202350	\$196	M2202350	\$196
		OPEN RIGHT - Buna	M2202351	\$196	M2202351	\$196
		OPEN LEFT -EPDM	M2202884	\$196	M2202884	\$196
		OPEN RIGHT - EPDM	M2202885	\$196	M2202885	\$196
M-8	1	Upper Stem Pin	T0400896	\$11	T0400896	\$11
M-9	2	Safety Coupling Cotter Pin	T0400858	\$1	T0400858	\$1
M-10	1	Safety Stem Coupling	T2203021	\$61	T2203021	\$61
M-11	2	Safety Coupling Pin	T0401327	\$5	T0401327	\$5
M-12	1	Lower Stem (comes with M13 Pin)				
		2'0" TD	M2202382	\$141	M2202382	\$141
		2'6"	M2202383	\$147	M2202383	\$147
		3'0"	M2202373	\$154	M2202373	\$154
		3'6"	M2202374	\$163	M2202374	\$163
		4'0"	M2202358	\$173	M2202358	\$173
		4'6"	M2202375	\$186	M2202375	\$186
		5'0"	M2202376	\$196	M2202376	\$196
		5'6"	M2202359	\$206	M2202359	\$206
		6'0"	M2202377	\$218	M2202377	\$218
		6'6"	M2202378	\$228	M2202378	\$228
		7'0"	M2202384	\$238	M2202384	\$238
M-13	1	Lower Stem Pin	T0400896	\$11	T0400896	\$11
M-15*	4	Drain Valve Facing Pin	T0401030	\$1	T0401030	\$1
M-16*	2	Drain Valve Facing	R1601140	\$9	R1601140	\$9
M-17*	1	Upper Valve Plate (M15 & M16)	F1600815	\$246	F1601095	\$258
M-18*	1	Seat Ring upper O-ring Buna	T2401034	\$8	T2400722	\$12
		Seat Ring Upper O-Ring EPDM	T2401276	\$8	T2401246	\$12
M-19*	1	Seat Ring Bronze	F1605816	\$391	F1605805	\$466

### 4 1/2" & 5 1/4" MEDALLION HYDRANT PARTS

\* All prices are list each \*

<u>Detail</u>	<u>Qty</u>	<u>Description</u>	<u>4 1/2" P/N</u>	<u>Price</u>	<u>5 1/4" P/N</u>	<u>Price</u>
M-20*	1	Seat Ring Lower O-ring Buna	T2401033	\$5	T2401318	\$8
		Seat Ring Lower O-ring EPDM	T2401245	\$5	T2401317	\$8
M-21	1	Main Valve Rubber	T1600906 (EPDM)	\$57	T1600907	\$79
M-22	1	Lower Valve Plate Lockwasher	T0200318	\$3	T0200318	\$3
M-24	1	Lower Valve Plate (Iron)	M1601009	\$128	M1601010	\$206
		Optional Bronze	F1600829	\$253	F1600830	\$296
M-25	1	Weather Cap Hold Down Screw	T0400748	\$1	T0400748	\$1
		Optional Grease Zerk Bolt	T0401384	\$40	T0401384	\$40
M-26	1	Weather Cap				
		A (1 1/2" Pent.)	M0800588	\$50	M0800588	\$50
		C ( 1 1/4" Pent)	M0800597	\$50	M0800597	\$50
		D (1 1/8 Pent.)	M0800598	\$50	M0800598	\$50
		F (1" Sq.)	M0800602	\$50	M0800602	\$50
		G (7/8" Sq.)	M0800603	\$50	M0800603	\$50
		H (15/16" Sq.)	M0800604	\$50	M0800604	\$50
		K (1 3/16" Sq.)	M0800611	\$50	M0800611	\$50
		P (1 3/4" Pent.)	M0800601	\$50	M0800601	\$50
M-27	1	Thrust Nut	F1605810	\$137	F1605810	\$137
M-28	1	Thrust Nut O-Ring #151 Buna	T2400948	\$1	T2400948	\$1
		Thrust Nut O-Ring #151 EPDM	T2401288	\$1	T2401288	\$1
M-29	4	Bonnet Bolt	T0400929	\$1	T0400929	\$1
M-29	4	Bonnet Nut	T0400347	\$1	T0400347	\$1
M-30	1	Bonnet - Open Left	M1600819	\$370	M1600809	\$386
		Bonnet - Open Right	M1600860	\$370	M1600861	\$386
M-31	2	Stem O-Ring #217 Buna	T2401026	\$1	T2401026	\$1
		Stem O'ring #217 EPDM	T2401241	\$1	T2401241	\$1
M-32	1	Bonnet O-Ring Buna	T2401014	\$4	T2401040	\$4
		Bonnet O-Ring EPDM	T2401278	\$4	T2401248	\$4
M-33	1	Nozzle Section - 2 Port		\$847		\$886
		Nozzle Section - 3 Port		\$1,046		\$1,084
		<b>Includes Nozzles, Caps &amp; Chains</b>				
		<b>Threads specified by customer</b>				
M-34	1	Pumper Nozzle Lock	R1620994	\$6	R1620994	\$6
M-35	1	Pumper Nozzle O-Ring Buna	T2400585	\$5	T2400585	\$5
		Pumper Nozzle O-Ring EPDM	T2401244	\$5	T2401244	\$5
M-36	1	Pumper Nozzle		\$303		\$303
M-37	1	Pmpr Cap Gasket 4" Buna	T0600032	\$4	T0600032	\$4
		Pmpr Cap Gasket 4 1/2" Buna	T0600027	\$6	T0600027	\$6
		Pmpr Cap Gasket 4" EPDM	T0600549	\$6	T0600549	\$6
		Pmpr Cap Gasket 4 1/2" EPDM	T0600548	\$6	T0600548	\$6
M-38	1	Pumper Nozzle Cap		\$210		\$210
M-39	2	Hose Nozzle Lock	R1620994	\$6	R1620994	\$6
M-40	2	Hose Nozzle O-Ring #235 Buna	T2400952	\$1	T2400952	\$1
		Hose Nozzle O-Ring #235 EPDM	T2401243	\$1	T2401243	\$1
M-41	2	Hose Nozzle		\$138		\$138
M-42	2	Hose Nozzle Gasket Buna	T0600014	\$2	T0600014	\$2
		Hose Nozzle Gasket EPDM	T0600547	\$2	T0600547	\$2



**4 1/2" & 5 1/4" MEDALLION HYDRANT PARTS****\* All prices are list each \***

<u>Detail</u>	<u>Qty</u>	<u>Description</u>	<u>4 1/2" P/N</u>	<u>Price</u>	<u>5 1/4" P/N</u>	<u>Price</u>
M-43	2	Hose Nozzle Cap		\$87		\$87
M-44	3	Chain Single	T1600712	\$7	T1600712	\$7
M-44	1	Chain "S" Hook	T1600713	\$2	T1600713	\$2
M-45	1	"S" Hook for Trench Depth Tag	T1600450	\$1	T1600450	\$1
M-45	1	Trench Depth Tag				
		2'0"	T1600469	\$4	T1600469	\$4
		2'6"	T1600198	\$4	T1600198	\$4
		3'0"	T1600199	\$4	T1600199	\$4
		3'6"	T1600200	\$4	T1600200	\$4
		4'0"	T1600201	\$4	T1600201	\$4
		4'6"	T1600202	\$4	T1600202	\$4
		5'0"	T1600203	\$4	T1600203	\$4
		5'6"	T1600204	\$4	T1600204	\$4
		6'0"	T1600205	\$4	T1600205	\$4
		6'6"	T1600206	\$4	T1600206	\$4
		7'0"	T1600207	\$4	T1600207	\$4
M-46	8	Safety Flange Bolt	T0400978	\$3	T0400407	\$3
M-46	8	Safety Flange Nut	T0400340	\$3	T0400347	\$3
M-47	2	Barrel O-Ring Buna	T2401031	\$4	T2401032	\$4
		Barrel O-Ring EPDM	T2401277	\$4	T2401247	\$4
M-48	1	Barrel Upper Flange 1994 or newer*	M1600867	\$125	M1600865	\$141
			T2401031		T2401032	
M-48	1	Barrel Upper Flange prior to 1994	R1600820	\$125	R1600811	\$141
M-49	2	Safety Flange	M1600818	\$61	M1600808	\$72
M-50	1	Barrel 2'0"	A1613038	\$441	A1613040	\$464
		2'6"	A1613039	\$470	A1613041	\$503
		3'0"	A1613031	\$493	A1613025	\$542
		3'6"	A1613032	\$523	A1613026	\$582
		4'0"	A1613020	\$562	A1613019	\$623
		4'6"	A1613033	\$597	A1613027	\$707
		5'0"	A1613034	\$650	A1613028	\$770
		5'6"	A1613022	\$698	A1613021	\$782
		6'0"	A1613035	\$720	A1613029	\$802
		6'6"	A1613036	\$760	A1613030	\$825
		7'0"	A1613037	\$791	A1613042	\$862
M-51	8	Shoe Bolt	T0400978	\$3	T0400979	\$3
M-51	8	Shoe Nut	T0401340	\$3	T0401052	\$3
M-52	1	Barrel Lower Flange 1994 or newer	M160866	\$125	M1600864	\$141
M-53	1	Drain Ring O-Ring Buna	T2401014	\$4	T2401040	\$4
		Drain Ring O-ring EPDM	T2401278	\$4	T2401248	\$4
M-54	1	Drain Ring	F1605831	\$404	F1605835	\$517
M-57	1	Hydrant Shoe				
		Mechanical Joint	MI005231	\$770	M1005198	\$897
		Mechanical Joint with Lugs	MI005170	\$770	M1005178	\$897
		Flange	M1005142	\$770	MI005229	\$897
		Push-on	M1005161	\$770	MI005162	\$897
		Vertical	M1005343	\$770	M1005344	\$897
M-58	1	Thrust Nut Set Screw	T0400542	\$3	T0400542	\$3

# CLOW F2500 Fire Hydrant (AWWA)

## Clow F2500 Hydrant Extensions

4 1/2" MVO			5 1/4" MVO		
Length	Standard	List Price	Length	Standard	List Price
<b>6"</b>	R1620555	\$805	<b>6"</b>	R1620550	\$887
<b>12"</b>	R1620556	\$928	<b>12"</b>	R1620547	\$1,019
<b>18"</b>	R1620557	\$980	<b>18"</b>	R1620548	\$1,143
<b>24"</b>	R1620558	\$1,076	<b>24"</b>	R1620549	\$1,233
<b>30"</b>	R1620559	\$1,720	<b>30"</b>	R1620594	\$1,765
<b>36"</b>	R1620560	\$1,840	<b>36"</b>	R1620588	\$1,886
<b>42"</b>	Discontinued		<b>42"</b>	Discontinued	
<b>48"</b>	Discontinued		<b>48"</b>	Discontinued	
<b>54"</b>	Discontinued		<b>54"</b>	Discontinued	
<b>60"</b>	Discontinued		<b>60"</b>	Discontinued	

**Extensions complete with barrel, flange, stem, coupling, pins, bolts, nuts, gaskets**

**Other Kits:**

4 1/2" MVO		Part#	
Break Flange		R1620562	\$456
Bonnet Repair		R1620074	\$120
*Consists of 10, 11, 13, 42 and 45*			
Main Valve		R1620076	\$394
*Consists of 20, 23, 24 and 27-29*			
5 1/4" MVO		Part#	
Break Flange		R1620545	\$456
Bonnet Repair		R1620075	\$120
*Consists of 10, 11, 13, 42 and 45*			
Main Valve		R1620077	\$429
*Consists of 20, 23, 24 and 27-29*			
Challenger Conversion Kit		Discontinued	

**Tools:**

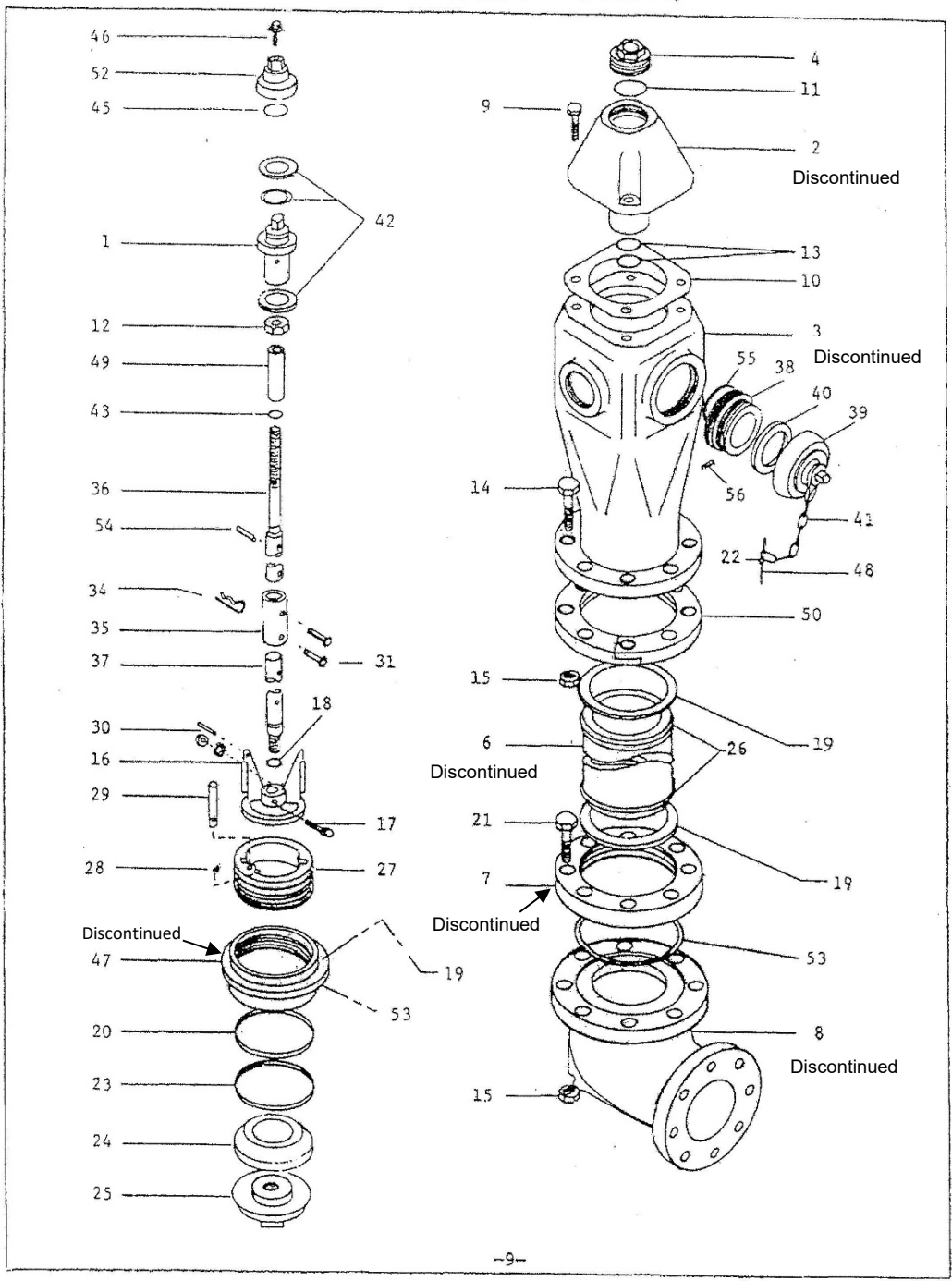
Hydrant Seat Wrench	M1600758	\$726
Hydrant Combination Tool	M1600757	\$194
Jam Nut Removal Socket	M1600961	\$89
Adjustable Wrench	R1620111	\$78
Combination Adjustable Thrust Nut Wrench	R1620640	\$146
Thrust Nut Wrench Head	M1600787	\$50
Hose Nozzle Tool	R1620672	\$255
Pumper Nozzle Tool (4")	T1620845	\$407
Pumper Nozzle Tool (4 1/2")	R1620895	\$407

\*For hydrants built prior to 1990 use the following nozzle tools:

Hose Nozzle Tool	Discontinued
Pumper Nozzle Tool	Discontinued

**\*\*\* F2500 HYDRANT PARTS ORDERS ARE SPECIAL ORDER AND NON-RETURNABLE. LONG LEAD TIMES MAY OCCUR \*\*\***

### CLOW HYDRANT - PARTS



**CLOW F2500 FIRE HYDRANT PARTS LIST****\* All prices are list each \***

<b>Detail</b>	<b>Qty.</b>	<b>Description</b>	<b>4-1/2" P/N</b>	<b>Price</b>	<b>5-1/4" P/N</b>	<b>Price</b>
1	1	Operating Nut (1/2" Pent) OL	F0805395	\$201	F0805395	\$201
		Operating Nut (1/2" Pent) OR	F0805451	\$201	F0805451	\$201
2	1	Cover	Discontinued		Discontinued	
3	1	Nozzle Section - 3 Pocket	Discontinued		Discontinued	
		Nozzle Section - 2 Pocket	Discontinued		Discontinued	
4	1	Thrust Nut	F1605739	\$165	F1605739	\$165
6	1	Standpipe	Discontinued		Discontinued	
7	1	Lower Flange	Discontinued		Discontinued	
9	4	Hex Head Cap Screw 5/8 x 1-3/4	T0400048	\$4	T0400048	\$4
10	1	Cover Gasket	T0600424	\$21	T0600435	\$22
11	1	O-Ring No. 151	T2400948	\$8	T2400948	\$8
12	1	Hex Jam Nut - OL	T0400543	\$22	T0400543	\$22
		OR	T0400607	\$22	T0400607	\$22
13	2	O-Ring No. 218	T2400084	\$6	T2400084	\$6
14	6*	Hex Head Bolt 3/4 x 3- 1/4	T0400007	\$3	T0400007	\$3
15	6*	Hex Nut 3/4	T0400030	\$3	T0400030	\$3
16	1	Upper Valve Plate	Discontinued		Discontinued	
	1	Upper Valve Plate (Bronze)	F1600679	\$204	F1600449	\$260
17	1	Hex Head Bolt 7/16 x 2-1/2	T0400391	\$7	T0400391	\$7
18	1	O-Ring No. 214	T2400169	\$6	T2400169	\$6
19	3	Neoprene Standpipe Gasket	T0600454	\$17	T0600455	\$19
		New Style 1999 thin gasket	T0600529	\$17	T0600530	\$19
20	1	O-Ring 254 & 259	T2400711	\$15	T2400634	\$19
21	6*	Hex Head Bolt 3/4 x 4	T0400126	\$4	T0400126	\$4
22	1	S-Hook	T1600450	\$1	T1600450	\$1
23	1	O-Ring 251 & 258	T2400586	\$5	T2400776	\$19
24	1	Valve Seat Rubber	T1600414	\$54	T1600443	\$59
25	1	Lower Valve Plate	Discontinued		Discontinued	
	1	Lower Valve Plate (Bronze)	F1600678	\$213	F1600444	\$280
26	2	Retaining Ring	T2000456	\$42	T2000406	\$47
27	1	Valve Seat Ring	F1605675	\$315	F1605445	\$364
28	1	Driv-Lok Stud #6 SS	T0401042	\$3	T0401042	\$3
29	1	Drain Tube	F1600446	\$55	F1600446	\$55

\*Part 14 8 pcs. required for 8 hole breakflange for 5 1/4" VO.

\*Part 15 8 pcs. required for 8 hole breakflange for 5 1/4" VO.

\*Part 21 8 pcs. required for 5 1/4" VO.

**\*\*\* F2500 HYDRANT PARTS ORDERS ARE SPECIAL ORDER AND NON-RETURNABLE.  
LONG LEAD TIMES MAY OCCUR \*\*\***

**CLOW F2500 FIRE HYDRANT PARTS LIST****\* All prices are list each \***

<b>Detail</b>	<b>Qty.</b>	<b>Description</b>	<b>4-1/2" P/N</b>	<b>Price</b>	<b>5-1/4" P/N</b>	<b>Price</b>
30	1	Driv-Lok Pin 1/4 x 1-1/4	T0400468	\$5	T0400468	\$5
31	2	Coupling Pin 7/16 x 2 3/8	T0400857	\$9	T0400857	\$9
32	1	Hex Nut 7/16	T0400411	\$4	T0400411	\$4
33	1	Lock Washer 7/16	T0200403	\$3	T0200403	\$3
34	2	Cotter Pin Retainer	T0400980	\$1	T0400980	\$1
35	1	Stem Coupling	R2201284	\$55	R2201284	\$55
36	1	Upper Stem - OL	M2202126	\$199	M2202126	\$199
		OR	M2202159	\$199	M2202159	\$199
37	1	Lower Stem		\$308		\$308
38	1	Steamer Nozzle		\$303		\$303
	2	Hose Nozzle		\$138		\$138
39	1	Steamer Nozzle Cap		\$210		\$210
	2	Hose Nozzle Cap		\$87		\$87
40	1	Stmr Nozzle Cap Gasket 4"	T0600032	\$4	T0600032	\$4
40	1	Stmr Nozzle Cap Gasket 4 1/2"	T0600027	\$6	T0600027	\$6
	2	Hose Nozzle Gasket	T0600014	\$2	T0600014	\$2
41	1	Single Nozzle Chain	T1600712	\$7	T1600712	\$7
	1	Nozzle Chain Hook	T1600713	\$2	T1600713	\$2
42	3	Operating Nut Thrust Bearing	T0200355	\$2	T0200355	\$2
43	1	O-Ring No. 117	T2400443	\$3	T2400443	\$3
45	1	O-Ring No. 226	T2400433	\$6	T2400433	\$6
46	1	Hex Head Cap Screw 3/8 x 1/2	T0400643	\$3	T0400643	\$3
		*Above is w/o weather shield*				
46A	1	Hex Head Cap Screw 3/8 x 2*	T0400648	\$4	T0400648	\$4
		*Above is w/ weather shield*				
47	1	Drain Ring	Discontinued		Discontinued	
48	1	Trench Depth Tag		\$9		\$9
49	1	Upper Stem Sleeve	F1600448	\$36	F1600448	\$36
50	1	Breakflange	R1620617	\$156	R1620618	\$187
52	1	Weathershield (1 1/2" Pent)		\$93		\$93
		Weathershield (1 1/4" Pent)		\$93		\$93
53	1	O-Ring **	T2401027	\$4	T2401014	\$4
54	1	Upper Stem Pin	T0400896	\$11	T0400896	\$11
55	2	Hose Nozzle O-ring #235	T2400952	\$1	T2400952	\$1
		Pumper Nozzle O-Ring #250	T2400585	\$5	T2400585	\$5
		Standpipe Extension Collar	M1600760	\$101	M1601322	\$101
56	1	Nozzle Lock	R1620994	\$6	R1620994	\$6

**\*\*\* F2500 HYDRANT PARTS ORDERS ARE SPECIAL ORDER AND NON-RETURNABLE.  
LONG LEAD TIMES MAY OCCUR \*\*\***

## EDDY AWWA F2640 BREAKFLANGE HYDRANT

4-1/4" M.V.O.			5-1/4" M.V.O.		
Trench Depth	3-Way	2-Way	Trench Depth	3-Way	2-Way
2'6"	\$4,041	\$3,609	2'6"	\$4,159	\$3,766
3'0"	\$4,120	\$3,687	3'0"	\$4,261	\$3,868
3'6"	\$4,198	\$3,766	3'6"	\$4,363	\$3,970
4'0"	\$4,277	\$3,845	4'0"	\$4,466	\$4,072
4'6"	\$4,356	\$3,924	4'6"	\$4,567	\$4,174
5'0"	\$4,435	\$4,003	5'0"	\$4,669	\$4,276
5'6"	\$4,514	\$4,081	5'6"	\$4,771	\$4,378
6'0"	\$4,592	\$4,160	6'0"	\$4,873	\$4,480
6'6"	\$4,671	\$4,239	6'6"	\$4,975	\$4,581
7'0"	\$4,750	\$4,317	7'0"	\$5,077	\$4,684
7'6"	\$4,829	\$4,396	7'6"	\$5,179	\$4,786
8'0"	\$4,907	\$4,475	8'0"	\$5,281	\$4,888
8'6"	\$4,986	\$4,554	8'6"	\$5,383	\$4,990

**4" shoe not available on 5 1/4" MVO hydrant**

**\*\*\* For Plugged Drain - DEDUCT \$70.00 from list price\*\*\***

**Notes:**

MJ l/acc or Flanged Shoe deduct \$74

**Adders:**

All adders are list each.

For each additional 6" trench depth add	4 1/2" MVO	\$79	5 1/4" MVO	\$102
Storz Connectors	4"	\$566	5"	\$665
DI Retainer Glands	4"	\$70	6"	\$81
Independent Hose Gate Valves (T5000021) 109XMN				POA
316 S/S B&N				POA

**Tools:**

Adjustable Wrench	R1620111	\$78
Hose Nozzle Tool	R1620672	\$255
Pumper Nozzle Tool (4")	T1620845	\$407
Pumper Nozzle Tool (4 1/2")	R1620895	\$407
Lower Stem Removal Tool	R1620842	\$650

### Clow Eddy Hydrant Extensions

4 1/2" MVO				5 1/4" MVO			
Length	Swivel	B/F	List Price	Length	Swivel	B/F	List Price
<b>6"</b>	R1620144	R1620897	\$705	<b>6"</b>	R1620113	R1620907	\$787
<b>12"</b>	R1620121	R1620898	\$828	<b>12"</b>	R1620031	R1620908	\$919
<b>18"</b>	R1620007	R1620899	\$880	<b>18"</b>	R1620025	R1620909	\$1,043
<b>24"</b>	R1620006	R1620900	\$976	<b>24"</b>	R1620142	R1620910	\$1,135
<b>30"</b>	R1620638	R1620901	\$1,620	<b>30"</b>	R1620009	R1620911	\$1,665
<b>36"</b>	R1620458	R1620902	\$1,740	<b>36"</b>	R1620120	R1620912	\$1,786
<b>42"</b>		R1620903	\$1,755	<b>42"</b>		R1620913	\$1,860
<b>48"</b>		R1620904	\$1,848	<b>48"</b>		R1620914	\$2,213
<b>54"</b>		R1621119	\$2,000	<b>54"</b>		R1620915	\$2,383
<b>60"</b>		R1620905	\$2,043	<b>60"</b>		R1620916	\$2,426
				<b>66"</b>		R1620917	\$2,417
				<b>72"</b>		R1620918	\$2,516.00

**Assemblies:**

AA Main Stem - 5' bury	4 1/2"		\$881	5 1/4"		\$1,029
*Consists of 1, 2, 19, 29A, 46-48*						
BB Hydrant Valve	4 1/2"	R1620365	\$204	5 1/4"	R1620043	\$300
	4 1/4"	R1620044	\$204			
*Consists of 21A, 22A, 24, 26, 27A, 28A*						
C Drain Support	4 1/2"	R1620035	\$227	5 1/4"	R1620034	\$240
*Consists of 34, 35, 36, 37*						
D Drain Valve - 5' bury	4 1/2"		\$204	5 1/4"		\$204
*Consists of 32, 33, 38-40, 42*						
EE Complete Valve & Stem - 5' bury	4 1/2"		\$1,178	5 1/4"		\$1,323
*Consists of assemblies AA and BB*						
**Assemblies have repair discounts NOT KIT						

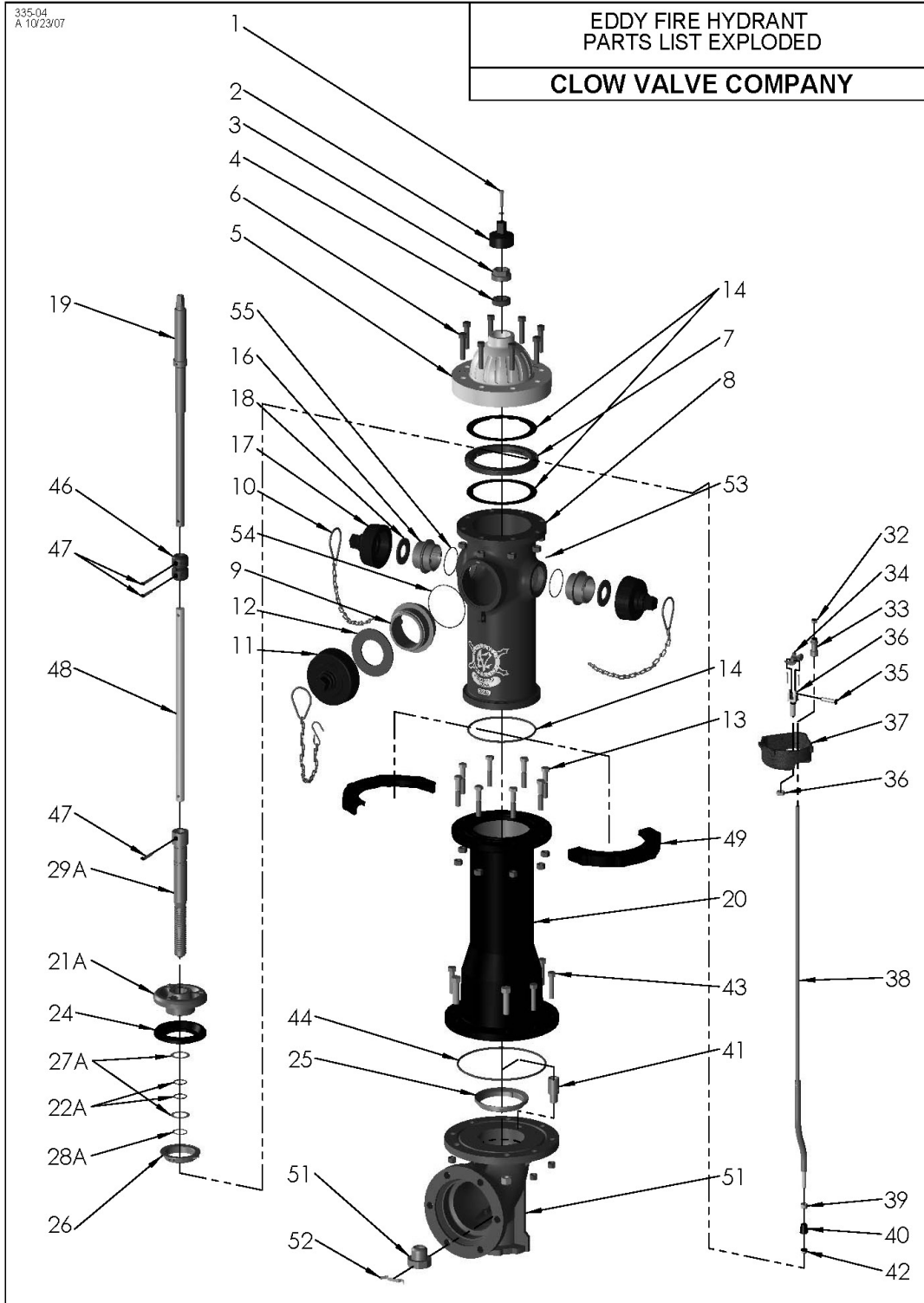
**Prices for AA, D and EE are based on 5' bury. Add or subtract \$5 for each 6".**

**\* All prices are list each \***

**Kits:**

4 1/2" MVO	Part#	
Break Flange	R1621313	\$356
Break Flange w/ Drain Support	R1621297	\$364
Color Specific Break Flange*	R1621317	\$356
<i>*Specify color at time of order</i>		
5 1/4" MVO	Part#	
Break Flange	R1621312	\$356
Break Flange w/ Drain Support	R1621296	\$364
Color Specific Break Flange*	R1621316	\$356
<i>*Specify color at time of order</i>		

**\*\*\* EDDY SWIVEL HYDRANT PARTS ORDERS ARE SPECIAL ORDER AND NON-RETURNABLE. LONG LEAD TIMES MAY OCCUR \*\*\***





**EDDY FIRE HYDRANTS PARTS LIST****\* All prices are list each \***

<u>Detail</u>	<u>Description</u>	<u>4 1/2" P/N</u>	<u>Price</u>	<u>5 1/4" P/N</u>	<u>Price</u>
1	Hold Down Bolt (SS)	T0400434	\$7	T0400434	\$7
2	Operating Nut (cast iron)		\$29		\$29
	(bronze op nuts POA)		\$0		\$0
3	Packing Gland	F2405249	\$58	F2405249	\$58
4	Oring (2)	R1620146	\$20	R1620146	\$20
	Oring w/ Adapter	R1620135	\$63	R1620135	\$63
	Rubber (works for all Eddys)	T2400494	\$20	T2400494	\$20
5	Cover - BF OL	M1600139	\$370	M1600154	\$386
	Cover - BF OR	M1600905	\$370	M1600904	\$386
	Cover - SW OL	M1600143	\$182	M1600139	\$208
6	Cover Bolts & Nuts (Set) - BF	R1620835	\$33	R1620834	\$33
	Cover Bolts & Nuts (Set) - SWL	R1620393	\$33	R1620047	\$33
7	Swivel Ring - BF	M1600134	\$90	M1600151	\$99
	Swivel Ring - SWL	M1600128	\$90	M1600145	\$99
8	Nozzle Section 2 Port		\$847		\$886
	Nozzle Section 3 Port		\$1,046		\$1,084
	(Includes nozzles, caps & chains)				
9	Pumper Nozzle		\$303		\$303
10	Single Nozzle Chain	T1600712	\$7	T1600712	\$7
10A	Nozzle Chain Hook	T1600713	\$2	T1600713	\$2
11	Pumper Nozzle Cap		\$210		\$210
12	Pumper Cap Gasket 4"	T0600032	\$6	T0600032	\$6
	4 1/2"	T0600027	\$6	T0600027	\$6
13	Flg Bolts & Nuts (set) - BF	R1621320	\$39	R1621321	\$47
	Flg Bolts & Nuts (set) - GLF	R1620104	\$33	R1620105	\$33
	Flg Bolts & Nuts (set) - SWL	R1620103	\$33	R1620104	\$33
14	Flange Gaskets (Set)- BF	R1620032	\$18	R1620123	\$18
	(includes o'ring for 2008 & newer)				
	Flange Gaskets (Set) - SWL	R1620036	\$18	R1620032	\$18
15	Chain Anchor	T0400212	\$8	T0400212	\$8
16	Hose Nozzle		\$138		\$138
17	Hose Nozzle Cap (no chain)		\$87		\$87
18	Hose Cap Gasket	T0600014	\$2	T0600014	\$2
19	Upper Stem - BF	A1610838	\$325	A1610840	\$325
	Upper Stem SWL	A1610839	\$325	A1610841	\$325
20	Standpipe 5' Trench		\$1,111		\$1,431
	Each 6" more or less than 5'				
	add or subtract		\$72		\$104

**\*\*\* EDDY SWIVEL HYDRANT PARTS ORDERS ARE SPECIAL ORDER AND NON-RETURNABLE. LONG LEAD TIMES MAY OCCUR \*\*\***

**\*\*\* DISCLAIMER: PLEASE SPECIFY COLOR WHEN ORDERING \*\*\***

**EDDY FIRE HYDRANTS PARTS LIST**

\* All prices are list each \*

<u>Item #</u>	<u>Description</u>	<u>4 1/2" P/N</u>	<u>Price</u>	<u>5-1/4" P/N</u>	<u>Price</u>
21	Valve Plate	See Part #26		See Part #26	
22	Orings (2 per set)	R1620027	\$8	R1620027	\$8
24	Valve Rubber	T1600105	\$40	T1600104	\$72
25	Seat Ring	R2100439	\$82	R2100084	\$90
26	Throttling Ring (21A & 24)	A1611058	\$184	A1611059	\$275
27	Bronze Thrust Washer Set	R1620026	\$25	R1620026	\$25
28	Snap Ring - Stainless Steel	T2000402	\$12	T2000402	\$12
29	Lower Stem OL	F2202814	\$243	F2202813	\$278
	Lower Stem OR	F2202815	\$243	F2202795	\$278
32	Lock Nut	T0400050	\$7	T0400050	\$7
33	Drain Spool	F1600108	\$46	F1600108	\$46
34	Drain Lever	F1600172	\$56	F1600172	\$56
35	Lever Pin	F1600138	\$7	F1600138	\$7
35A	#35 Brass cotter pins ( req. 2)	T0400128	\$1	T0400128	\$1
36	Clevis & Nut	R1620030	\$46	R1620030	\$46
37	Drain Support	M1600114	\$113	M1600135	\$113
38	Drain Rod - 5' Trench		\$139		\$139
	#38 Add/Subtract per 6"		\$11		\$11
39	Drain Valve Backer	T0400020	\$7	T0400020	\$7
40	Drain Valve Rubber	T1600169	\$7	T1600169	\$7
41	Drain Cup	F1600106	\$45	F1600106	\$45
42	Retaining Nut	T0400130	\$7	T0400130	\$7
43	Bottom Bolts & Nuts (Set)	R1620894	\$34	R1620844	\$45
44	Bottom Gasket (2008 & Older)	T0600060	\$3	T0600061	\$4
	Bottom O'ring (Current)	T2401369	\$3	T2401371	\$4
45	Bottom with Stem Nut and Clip				
	All End Styles (No Access)		\$768		\$1,231
46	Stem Coupling	M2200608	\$108	M2200608	\$108
47	Stem Coupling Pin	T0400401	\$5	T0400401	\$5
48	Middle Stem for 5' Trench		\$54		\$59
	#48 Add/Subtract per 6"		\$12		\$12
49	Breakflange (One each)		\$43		\$78
50	Upper Thrd Flg BF pre 2008 - gasket	R1600699	\$170	R1600129	\$205
	Upper Thrd Flg BF 2008 & newer - Oring	M1600870	\$170	M1600872	\$205
	SWL Option	R1600704	\$170	R1600101	\$205
51	Bottom/Stem Nut OL	F2305072	\$65	F2305094	\$81
	Bottom/Stem Nut OR	F2305200	\$65	F2305199	\$81
52	Stem Nut Clip	T2000390	\$3	T2000390	\$3
53	Nozzle Lock	R1620994	\$6	R1620994	\$6
54	Pumper Nozzle O'ring	T2400585	\$5	T2400585	\$5
55	Hose Nozzle O'ring	T2400952	\$1	T2400952	\$1

**\*\*\* EDDY SWIVEL HYDRANT PARTS ORDERS ARE SPECIAL ORDER AND NON-RETURNABLE. LONG LEAD TIMES MAY OCCUR \*\*\***

**\*\*\* DISCLAIMER: PLEASE SPECIFY COLOR WHEN ORDERING \*\*\***

**Iowa Fire Hydrant Extensions**

**4 1/4" MVO**

Length	BBC	BF	GLF	List Price
6"	R1620062	R1620205	R1620062	\$705
12"	R1620063	R1620003	R1620063	\$828
18"	R1620181	R1620071	R1620181	\$880
24"	R1620038	R1620137	R1620038	\$976
30"	R1620039	R1620138	R1620039	\$1,620
36"	R1620082	R1620206	R1620082	\$1,740
42"	R1620252	R1620404	R1620252	\$1,755
48"	R1620171	R1620219	R1620171	\$1,848
54"	R1620014	R1620110	R1620014	\$2,000
60"	R1620359		R1620359	\$2,043
<b>For use with hydrants that have</b>	Solid Flange 4 T-Bolts	Split Flange 8 Hex Bolts	Solid Flange 4 Hex Bolts	

**5 1/4" MVO**

Length	BBC	BF	GLF	List Price
6"	R1620021	R1620053	R1620021	\$787
12"	R1620022	R1620008	R1620022	\$919
18"	R1620023	R1620016	R1620023	\$1,043
24"	R1620001	R1620013	R1620001	\$1,133
30"	R1620150	R1620012	R1620150	\$1,665
36"	R1620064	R1620011	R1620064	\$1,786
42"	R1620095	R1620191	R1620095	\$1,860
48"	R1620172	R1620005	R1620172	\$2,213
54"	R1620145	R1620232	R1620145	\$2,383
60"	R1620216	R1620453	R1620216	\$2,426
<b>For use with hydrants that have</b>	Solid Flange 4 T-Bolts	Split Flange 8 Hex Bolts	Solid Flange 4 Hex Bolts	

**Assemblies:**

	4 1/4"			5 1/4"		
A - Complete hydrant valve including drain valve (parts 24-38 and 40-46)	OL	A1610416	\$1,167	OL	A1610420	\$1,286
	OR	A1610417	\$1,167	OR	A1610421	\$1,286
B - Drain Valve (parts 40-46)	OL	A1610995	\$204	OL	A1610997	\$204
	OR	A1610996	\$204	OR	A1610998	\$204
C - Head Assembly (parts 4-11)		A1613488	\$405		A1613489	\$437

**Kits:**

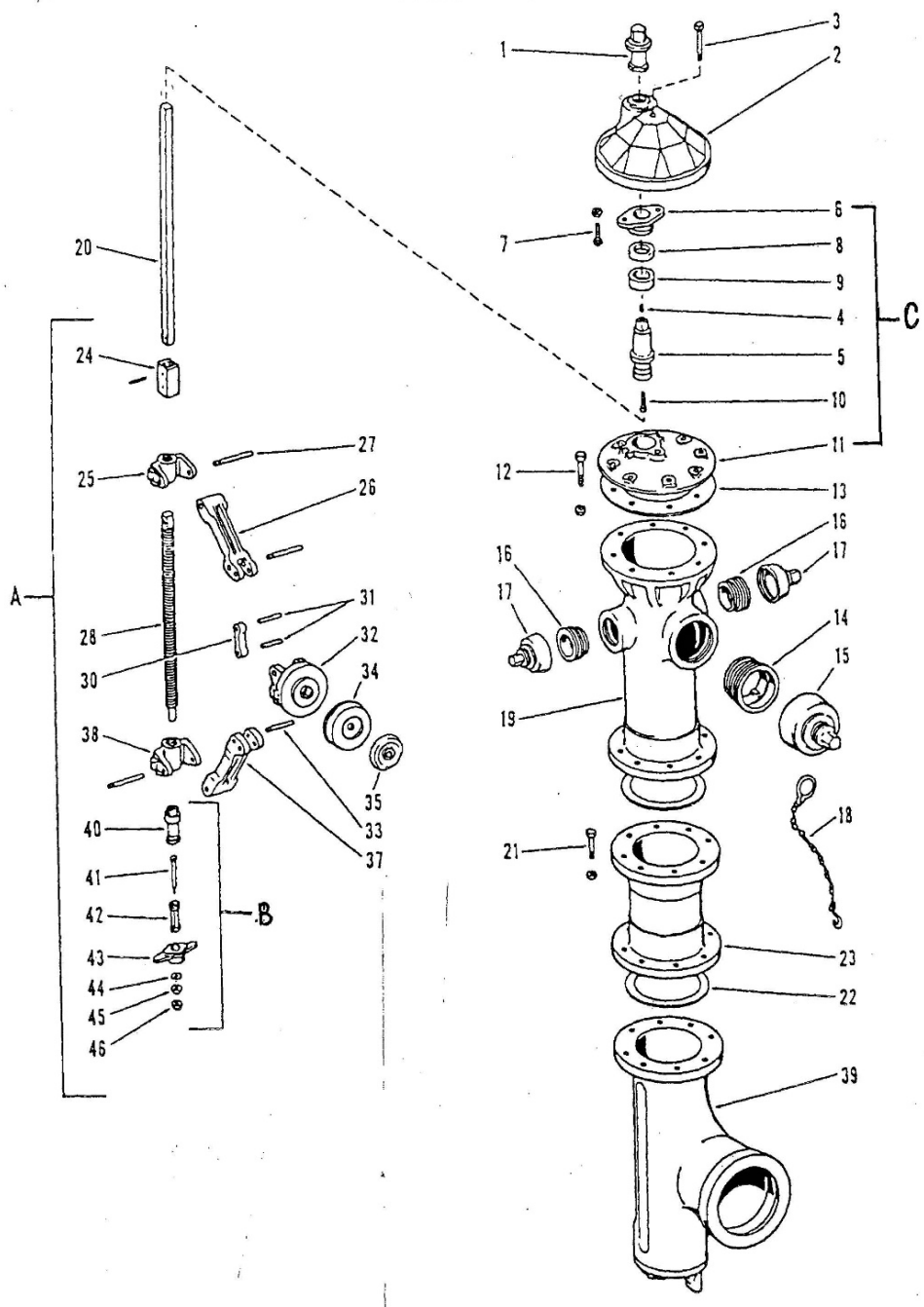
4 1/4" MVO			5 1/4" MVO		
Break Flange	R1620017	\$356	Break Flange	R1620018	\$356
Break Bolt	R1620478	\$152	Break Bolt	R1620118	\$168

**Tools:**

Adjustable Wrench	R1620111	\$78
Hose Nozzle Tool	R1620060	\$330
Pumper Nozzle Tool	R1620257	\$438

**\*\*\* IOWA HYDRANT PARTS ORDERS ARE SPECIAL ORDER AND NON-RETURNABLE. LONG LEAD TIMES MAY OCCUR \*\*\***

### IOWA FIRE HYDRANTS PARTS



**IOWA FIRE HYDRANTS PARTS LIST**

**\* All prices are list each \***

<u>Detail</u>	<u># Description</u>	<u>4 1/4" P/N</u>	<u>Price</u>	<u>5 1/4" P/N</u>	<u>Price</u>
1	Operating Nut and Snap Ring	R1620124	\$33	R1620070	\$33
2	Dome			I1600007	\$126
3	Dome Bolt	T0400221	\$6	T0400221	\$6
4	Pipe Plug	T0200092	\$6	T0200092	\$6
5	Operating Sleeve	F1605192	\$267	F1605192	\$267
6	Follower & Gland	R1620106	\$35	R1620106	\$35
7	Follower Bolt/Nut Set	R1620107	\$6	R1620107	\$6
8	Packing O'rings	R1620100	\$11	R1620100	\$11
	Br. Spacer	F0205035	\$21	F0205035	\$21
	Br. Retainer Collar	F2000499	\$21	F2000499	\$21
9	Packing Ring	F1600377	\$23	F1605377	\$23
10	Adjusting Screw	T0400074	\$14	T0400074	\$14
11	Head	M1600056	\$122	M1600064	\$200
12	Head Bolts and Nut	R1620116	\$6	R1620116	\$6
13	Head Gaskets	T0600037	\$12	T0600046	\$12
14	Pumper Nozzle		\$303		\$303
15	Pumper Nozzle Cap		\$210		\$210
16	Hose Nozzle		\$138		\$138
17	Hose Nozzle Cap		\$87		\$87
18	Single Nozzle Chain	T1600712	\$7	T1600712	\$7
	Nozzle Section Hook	T1600713	\$2	T1600713	\$2
19	Nozzle Section with Hose and Pumper Nozzles, caps and chains				\$1,488
20	Operating Rod for 5' Trench for GLF		\$99		\$99
	For each 6" add or deduct		\$10		\$10
20A	Upper Operating Rod For BBC & BF	M1600224		M1600224	\$53
21	Flange Bolts and Nuts For GLF	R1620165	\$7	R1620165	\$7
21A	Flange Bolts and Nuts For BF	R1620115	\$11	R1620130	\$11
21B	Flange Bolts and nuts For BBC & BF	M0400181	\$9	M0400181	\$9
		4 per Hyd		8 per Hyd	
	B/F Only Split Break Flange	R1620084	\$111	R1620069	\$156
	Upper Threaded Flg				
	B/F CI	R1600706	\$130	R1600231	\$148
	BBC/GLF DI	R1600692	\$130	R1600703	\$148

**\*\*\* IOWA HYDRANT PARTS ORDERS ARE SPECIAL ORDER AND NON-RETURNABLE. LONG LEAD TIMES MAY OCCUR \*\*\***

### IOWA FIRE HYDRANTS PARTS LIST

\* All prices are list each \*

<u>Detail</u>	<u># Description</u>	<u>4 1/4" P/N</u>	<u>Price</u>	<u>Part #</u>	<u>5-1/4"</u>
22	Flange Gaskets (per set)	R1620045	\$32	R1620024	\$45
23	Extension Piece-Length = Trench depth minus 12" (no internal parts)				
	6"		\$495		\$551
	12"		\$586		\$655
	18"		\$681		\$768
	24"		\$768		\$876
	30"		\$863		\$985
	36"		\$863		\$1,093
	42"		\$1,041		\$1,200
	54"		\$1,223		\$1,414
	60"		\$1,314		\$1,527
** 24	Coupling and Pins (GLF)	R1620131	\$41	R1620132	\$41
25	Top Stem Nut OL	F2300456	\$108	F2300483	\$108
	Top Stem Nut OR	F2300064	\$108	F2300012	\$108
26	Upper Operating Arm	M1600034	\$63	M1600052	\$63
27	Operating Arm Pins and Cotter Pin	R1620065	\$19	R1620133	\$19
28	Threaded Stem OL	M2200072	\$304	M2200052	\$369
	Threaded Stem OR	M2200912	\$304	M2200913	\$369
30	Connecting Link	F1600391	\$21	F1600345	\$20
31	Connecting Link Pins (2)	R1620085	\$28	R1620086	\$28
32-34-35	Main Valve Assembly	M0700057	\$113	M0700020	\$156
33	Gate Pins (2)	R1620087	\$42	R1620089	\$60
34	Main Valve Rubber	T1600059	\$38	T1600061	\$49
35	Main Valve Washer	M0200169	\$13	M0200146	\$17
36	Cotter Pin for Gates	T0400086	\$11	T0400146	\$11
37	Lower Operating Arm	M1600078	\$63	M1600014	\$63
38	Bottom Stem Nut - OL	F2300495	\$108	F2300493	\$108
	Bottom Stem Nut - OR	F2300045	\$108	F2300053	\$108
39	Bottom, Seat Ring & Drain Barrel				\$1,075
40	Drain Valve Holder - OL	F1600421	\$81	F1605421	\$81
	Drain Valve Holder - OR	F1600225	\$81	F1600225	\$81
41	Drain Valve Lifter Stem	T0400031	\$26	T0400031	\$26
42	Drain Valve Lifter - OL	F1600489	\$48	F1600489	\$48
	Drain Valve Lifter - OR	F1600182	\$48	F1600182	\$48
43	Drain Valve Lifter Guide	F1600416	\$62	F1600440	\$62
44	Drain Valve Washer	F0200082	\$17	F0200082	\$17
45	Drain Valve Rubber (New Style)	T1600002	\$7	T1600002	\$7
46	Drain Valve Lifter Washer Nut	T0400073	\$11	T0400073	\$11
** BBC/BF	<b>Break Coupling</b>	<b>M2201766</b>	<b>\$117</b>	<b>M2201766</b>	<b>\$117</b>
** BBC/BF	<b>Coupling Pins (2 per)</b>	<b>T0400661</b>	<b>\$7</b>	<b>T0400661</b>	<b>\$7</b>

**\*\*\* IOWA HYDRANT PARTS ORDERS ARE SPECIAL ORDER AND NON-RETURNABLE. LONG LEAD TIMES MAY OCCUR \*\*\***

# CLOW AWWA DOUBLE DISC GATE VALVES IRON BODY BRONZE MOUNTED

Sizes 3" - 12", 200# WWP, 400# Test  
 Sizes 14" - 48", 150# WWP, 300# Test

	<b>F5065</b>	<b>F5065</b>	<b>F5070</b>	<b>F5066</b>	<b>F5066</b>	<b>F5093</b>	<b>F5093</b>	<b>F5072</b>
		<b>MJ</b>	<b>N.R.S.</b>	<b>FLG X MJ</b>	<b>FLG X MJ</b>	<b>MJ</b>	<b>MJ TAP</b>	<b>OS&amp;Y</b>
	<b>MJ W/ACC</b>	<b>LESS ACC</b>	<b>FLANGED**</b>	<b>WITH ACC</b>	<b>LESS ACC</b>	<b>Tap W/ACC</b>	<b>LESS ACC</b>	<b>FLANGED**</b>
<b>Size</b>	<b>2612-AA</b>	<b>2612-30</b>	<b>2612-20</b>	<b>2612-BA</b>	<b>2612-21</b>	<b>2612-GA</b>	<b>2612-31</b>	<b>2612-20</b>
3"	\$1,306	\$1,250	\$1,238			\$1,736	\$1,594	
4"	\$1,494	\$1,398	\$1,384	\$1,422	\$1,334	\$1,866	\$1,762	
6"	\$1,934	\$1,782	\$1,850	\$1,866	\$1,782	\$2,584	\$2,488	
8"	\$3,006	\$2,838	\$2,890	\$2,906	\$2,784	\$3,832	\$3,692	
10"	\$4,672	\$4,424	\$4,594	\$4,570	\$4,424	\$5,738	\$5,568	
12"	\$5,906	\$5,596	\$5,546	\$5,652	\$5,340	\$8,770	\$8,410	
14"	\$12,642	\$11,769	\$11,769	\$14,908	\$11,768	\$14,717	\$13,382	\$19,005
16"	\$16,622	\$15,727	\$15,727	\$16,172	\$15,726	\$18,849	\$18,354	\$20,674
18"	\$27,341	\$25,743	\$25,743	\$26,538	\$25,740	\$31,278	\$30,394	\$29,956
20"	\$32,647	\$30,918	\$30,918	\$31,764	\$30,912	\$37,349	\$36,392	\$37,604
24"	\$46,600	\$43,961	\$43,961	\$45,272	\$43,952	\$51,259	\$49,798	\$51,962
30"	\$95,301	\$90,384	\$90,384	\$93,704	\$89,597			\$119,796
36"	\$121,918	\$114,941	\$114,941	\$115,943	\$110,716			\$153,864

42" & 48" POA and are available in MJ, FLG and FLGxMJ

\*\*Does not include bolts, nuts, or gaskets for flange side

	<b>F5067</b>	<b>F5067</b>
	<b>MJ CUT IN</b>	<b>MJ CUT-IN</b>
	<b>WITH ACC</b>	<b>LESS ACC</b>
<b>Size</b>	<b>2612-CA</b>	<b>2612-33</b>
4"	\$1,658	\$1,552
6"	\$2,256	\$2,088
8"	\$3,498	\$3,310
10"	\$5,458	\$5,184
12"	\$6,886	\$6,546

**Notes:**

Bypass recommended on 14" and larger - mandatory on 30" and larger

Gearing recommended on 18" and larger - mandatory on 30" and larger

Horizontal valves 14" and larger require rollers, tracks and scrapers

\*\*\* See adders on page 23 for the above notes \*\*\*

Special coatings		\$36	per inch per coat
Indicator Post plates	4"-12"	\$268	
	14"-16"	\$694	
Mitre Boxes		POA	
Chainwheels		POA	

## Clow Double Disc Gate Valve Gearing and Bypass

### Gearing

Valve Size	Enclosed Bevel**	Enclosed Spur
	Horizontal	Vertical
<b>14"-16"</b>	\$8,480	\$6,628
<b>18"</b>	\$10,058	\$7,623
<b>20"</b>	\$10,441	\$7,623
<b>24"</b>	\$12,319	\$8,897
<b>30"</b>	\$16,704	\$11,646
<b>36"</b>	\$23,762	\$17,580
<b>42/48"</b>	POA	POA

### Bypass Valve

Valve Size	Bypass Size (NRS)	List Price
<b>14"</b>	2"	\$4,970
<b>16"</b>	3"	\$4,970
<b>18"</b>	3"	\$5,715
<b>20"</b>	3"	\$5,715
<b>24"</b>	4"	\$7,617
<b>30"</b>	4"	\$8,463
<b>36"</b>	6"	\$11,492
<b>42/48"</b>	8"	POA

\*All prices are list each\*

\*\* **BEVEL GEAR ADDER INCLUDE ROLLERS, TRACKS, SCRAPERS**

Position Indicators POA

316 S/S B&N POA



## LIST 16 EXTRA HEAVY PRESSURE 250# DOUBLE DISC GATE VALVES

4" - 20" - 250 PSI non-shock working pressure - 500 PSI test  
24" & 30" - 225 PSI non-shock working pressure - 450 PSI test

F5300 FLANGED NON-RISING STEM 2614-20	F5305 FLANGED OUTSIDE SCREW & YOKE 2614-20
<b>4"</b>	
\$3,244	
<b>6"</b>	
\$3,604	
<b>8"</b>	
\$4,804	
<b>10"</b>	
\$7,806	
<b>12"</b>	
\$11,478	
<b>14"</b>	<b>14"</b>
\$18,204	\$25,058
<b>16"</b>	<b>16"</b>
\$26,206	\$30,918
<b>18"</b>	<b>18"</b>
\$36,088	\$42,264
<b>20"</b>	<b>20"</b>
\$40,782	\$54,584
<b>24"</b>	<b>24"</b>
\$67,338	\$80,874
<b>30"</b>	<b>30"</b>
\$117,852	\$118,758

### ADDERS FOR LIST 16 VALVES

<u>Size</u>	<u>Enclosed Bevel Gears **</u>	<u>Enclosed Spur Gears</u>
<b>14-16"</b>	\$8,480	\$6,628
<b>18"</b>	\$10,058	\$7,623
<b>20"</b>	\$10,441	\$7,623
<b>24"</b>	\$12,319	\$8,897
<b>30"</b>	\$16,704	\$11,646

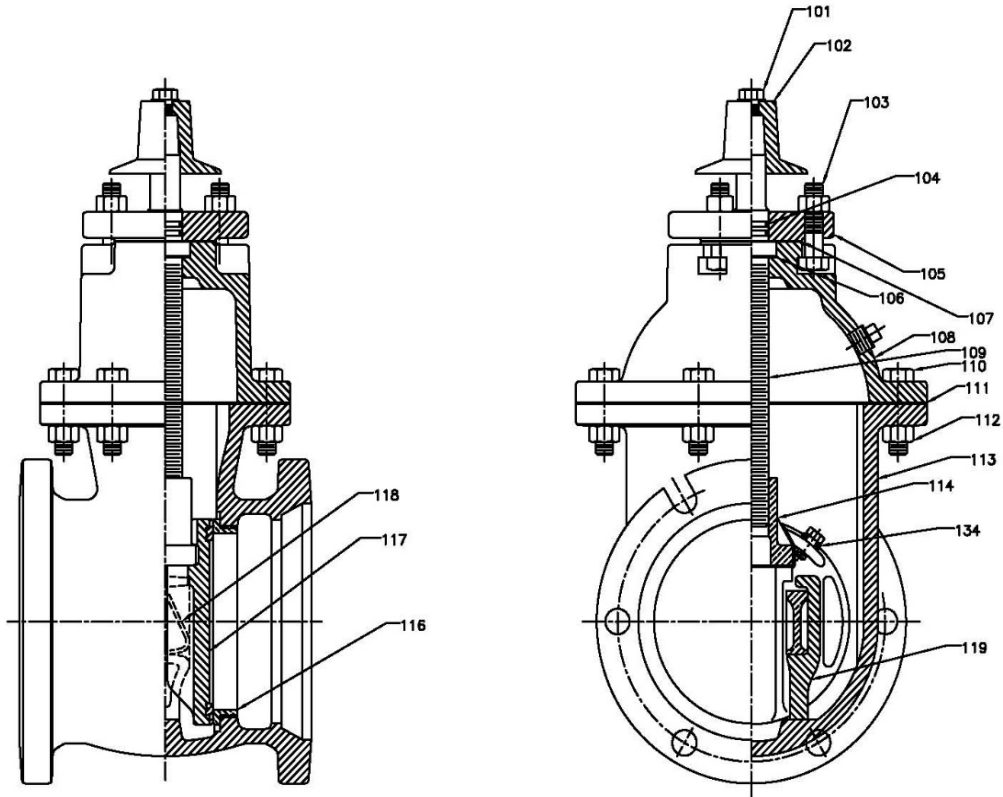
<u>Bypass Assemblies</u>		
<u>Valve Size</u>	<u>Bypass</u>	<u>NRS</u>
<b>14"</b>	2"	\$4,970
<b>16"</b>	3"	\$4,970
<b>18"</b>	3"	\$5,715
<b>20"</b>	3"	\$5,715
<b>24"</b>	4"	\$7,617
<b>30"</b>	4"	\$8,463

**\*\* BEVEL GEAR ADDER INCLUDE ROLLERS, TRACKS, SCRAPERS**

2"-12" DOUBLE DISC  
MATERIAL LIST

**CLOW VALVE COMPANY**

NOTES:  
 DELRIN BEARING, PART 106, USED ON 4"-12" ONLY  
 2"-3" HAVE ALL BRONZE GATES, WITHOUT RINGS, HOOK AND  
 WEDGE, ONE PIECE CAST BRONZE.  
 CAPSCREW, STRAP, PART 134 USED ON 10"-12" ONLY.



SEQ	QUAN	DESCRIPTION
101	1	Capscrew
102	1	Operating Nut
103		Bolts & Nuts
104	2	O-rings
105	1	Stuffing Box Plate
106	1	Low Torque Bearing
107	1	Gasket, Stuffing Box
108	1	Cover
109	1	Stem
110		Bolts
111	1	Gasket, Neck Flange
112		Nuts
113	1	Body
114	1	Stem Nut
116	2	Case Ring
117	2	Gate
118	2	Wedge
119	2	Hook
134	2	Strap

**AWWA & LIST 16 NRS GATE VALVE PARTS****\* All prices are list each \***

<u>Item #</u>	<u>Description</u>	<u>2"</u>	<u>Price</u>	<u>2 1/2"</u>	<u>Price</u>	<u>3"</u>	<u>Price</u>
101	Hold Down Cap Screw	<b>T0400159</b>	\$6	<b>T0400159</b>	\$6	<b>T0400159</b>	\$6
102	Operating Nut OL	<b>I0800122</b>	\$28	<b>I0800122</b>	\$28	<b>I0800122</b>	\$28
	OR	<b>M0800009</b>	\$28	<b>M0800009</b>	\$28	<b>M0800009</b>	\$28
103	Stuffing Box Plate Bolts	<b>T0400099</b>	\$3	<b>T0400099</b>	\$3	<b>T0400099</b>	\$3
103	Stuffing Box Plate Nuts	<b>T0400038</b>	\$3	<b>T0400038</b>	\$3	<b>T0400038</b>	\$3
104	0-Rings (Each)	<b>T2400091</b>	\$4	<b>T2400091</b>	\$4	<b>T2400091</b>	\$4
105	Stuffing Box Plate	<b>M2400185</b>	\$29	<b>M2400185</b>	\$29	<b>M2400185</b>	\$29
106	Thrust Washer	---		---		---	
107	Stuffing Box Gasket	<b>R0600017</b>	\$7	<b>R0600017</b>	\$7	<b>R0600017</b>	\$7
108	Cover	<b>M0300031</b>	\$143	<b>M0300057</b>	\$186	<b>M0300029</b>	\$205
109	Stem OL	<b>F2202512</b>	\$129	<b>F2202510</b>	\$131	<b>F2202514</b>	\$263
	OR	<b>F2202513</b>	\$129	<b>F2202511</b>	\$131	<b>F2202515</b>	\$263
110	Neck Fig Bolts (ea.)	<b>T0400184</b>	\$3	<b>T0400184</b>	\$3	<b>T0400095</b>	\$3
111	Neck Flange Gasket	<b>T0600048</b>	\$7	<b>T0600048</b>	\$7	<b>T0600020</b>	\$8
112	Neck Flange Nuts (ea.)	<b>T0400038</b>	\$3	<b>T0400038</b>	\$3	<b>T0400038</b>	\$3
113	Body - All Ends		\$429		\$549		\$668
114	Stem Nut - OL	<b>F2300591</b>	\$62	<b>F2300589</b>	\$65	<b>F2300589</b>	\$65
	OR	<b>F2300592</b>	\$62	<b>F2300590</b>	\$65	<b>F2300590</b>	\$65
116	Case Ring	<b>R2100069</b>	\$75	<b>R2100070</b>	\$75	<b>R2100054</b>	\$105
117	Gate w/Ring	<b>F0700001</b>	\$55	<b>F0700011</b>	\$60	<b>F0700024</b>	\$67
118	Wedge	<b>B0900131</b>	\$14	<b>B0900113</b>	\$14	<b>B0900008</b>	\$14
		<u>4"</u>		<u>6"</u>		<u>8"</u>	
101	Hold Down Cap Screw	<b>T0400159</b>	\$6	<b>T0400057</b>	\$6	<b>T0400057</b>	\$6
102	Operating Nut OL	<b>I0800006</b>	\$28	<b>I0800105</b>	\$28	<b>I0800097</b>	\$28
	OR	<b>M0800102</b>	\$28	<b>M0800113</b>	\$28	<b>M0800108</b>	\$28
103	Stuffing Box Plate Bolts	<b>T0400099</b>	\$3	<b>T0400139</b>	\$3	<b>T0400139</b>	\$3
103	Stuffing Box Plate Nuts	<b>T0400038</b>	\$3	<b>T0400072</b>	\$3	<b>T0400072</b>	\$3
104	0-Rings (Each)	<b>T2400032</b>	\$4	<b>T2400169</b>	\$5	<b>T2400038</b>	\$5
105	Stuffing Box Plate	<b>M2400069</b>	\$29	<b>M2400154</b>	\$55	<b>M2400166</b>	\$70
106	Thrust Washer	<b>T0200179</b>	\$11	<b>T0200216</b>	\$13	<b>T0200189</b>	\$13
107	Stuffing Box Gasket	<b>T0600041</b>	\$7	<b>T0600057</b>	\$7	<b>T0600057</b>	\$7
108	Cover	<b>M0300021</b>	\$272	<b>M0300034</b>	\$315	<b>M0300007</b>	\$449
109	Stem OL	<b>F2200088</b>	\$282	<b>F2200031</b>	\$382	<b>F2200003</b>	\$515
	OR	<b>F2200724</b>	\$282	<b>F2200727</b>	\$382	<b>F2200717</b>	\$515
110	Neck Fig Bolts (ea.)	<b>T0400099</b>	\$3	<b>T0400139</b>	\$3	<b>T0400139</b>	\$3
111	Neck Flange Gasket	<b>T0600039</b>	\$9	<b>T0600055</b>	\$12	<b>T0600052</b>	\$16
112	Neck Flange Nuts (ea.)	<b>T0400038</b>	\$3	<b>T0400072</b>	\$3	<b>T0400072</b>	\$3
113	Body - All Ends		\$754		\$1,107		\$1,494
114	Stem Nut - OL	<b>F2300041</b>	\$62	<b>F2300044</b>	\$119	<b>F2300068</b>	\$134
	OR	<b>F2300121</b>	\$75	<b>F2300109</b>	\$119	<b>F2300116</b>	\$134
116	Case Ring	<b>R2100024</b>	\$129	<b>R2100013</b>	\$205	<b>R2100018</b>	\$334
117	Gate w/Ring	<b>M0700035</b>	\$117	<b>M0700045</b>	\$169	<b>M0700025</b>	\$279
118	Wedge	<b>B0900157</b>	\$18	<b>B0900137</b>	\$20	<b>B0900163</b>	\$22
119	Hook	<b>I0900015</b>	\$13	<b>I0900042</b>	\$15	<b>I0900038</b>	\$28

**\*\*\* 2" and 2 1/2" PARTS ORDERS ARE SPECIAL ORDER AND NON-RETURNABLE. LONG LEAD TIMES MAY OCCUR \*\*\***

**AWWA & LIST 16 GATE VALVE PARTS (Continued)****\* All prices are list each \***

<u>Item #</u>	<u>Description</u>	<u>10"</u>	<u>Price</u>	<u>12"</u>	<u>Price</u>
101	Hold Down Cap Screw	T0400067	\$6	T0400067	\$6
102	Operating Nut OL	I0800100	\$28	I0800100	\$28
	OR	M0800114	\$28	M0800114	\$28
103	Stuffing Box Plate Bolts	T0400007	\$3	T0400007	\$3
103	Stuffing Box Plate Nuts	T0400030	\$3	T0400030	\$3
104	O-Rings (Each)	T2400084	\$5	T2400084	\$5
105	Stuffing Box Plate	M2400075	\$90	M2400075	\$90
106	Thrust Washer	T0200191	\$16	T0200191	\$16
107	Stuffing Box Gasket	T0600048	\$7	T0600048	\$7
108	Cover	M0300008	\$763	M0300067	\$1,090
109	Stem - OL	F2200025	\$734	F2200061	\$923
	OR	F2200729	\$734	F2200728	\$923
110	Neck Fig Bolts (ea.)	T0400178	\$3	T0400178	\$3
111	Neck Flange Gasket	T0600023	\$27	T0600010	\$62
112	Neck Flange Nuts (ea.)	T0400072	\$3	T0400072	\$3
113	Body - All Ends		\$2,486		\$3,312
114	Stem Nut - OL	F2300065	\$172	F2300056	\$249
	OR	F2300129	\$172	F2300128	\$249
116	Case Ring	R2100030	\$494	R2100052	\$658
117	Gate w/Ring	M0700003	\$413	M0700018	\$582
118	Wedge	B0900111	\$40	B0900172	\$42
119	Hook	I0900026	\$40	I0900019	\$45
134	Straps	T1400005	\$7	T1400005	\$7

## R/W VALVES (AWWA-ULFM 2" - 12')

250#WWP -500# Test

	<b>F6100</b>	<b>F6100</b>	<b>F6102</b>	<b>F6136</b>	<b>F6106</b>	<b>F6106</b>	<b>F6114</b>	<b>F6114</b>
	<b>MJ x MJ</b>	<b>MJ x MJ</b>	<b>NRS</b>	<b>OS&amp;Y</b>	<b>FLG x MJ*</b>	<b>FLG x MJ*</b>	<b>MJ TAP</b>	<b>MJ TAP</b>
	<b>WITH ACC</b>	<b>LESS ACC</b>	<b>FLANGED*</b>	<b>FLANGED*</b>	<b>W/ MJ ACC</b>	<b>L/ACC</b>	<b>W/ACC</b>	<b>L/ACC</b>
<u>Size</u>	<u>26##-AA</u>	<u>26##-30</u>	<u>26##-20</u>	<u>26##-20</u>	<u>26##-BA</u>	<u>26##-21</u>	<u>26##-GA</u>	<u>26##-31</u>
2"	\$835	\$739	\$732					
2-1/2"			\$874	\$1,144				
3"	\$1,094	\$1,047	\$1,038	\$1,332	\$1,017	\$994	\$1,455	\$1,374
4"	\$1,251	\$1,170	\$1,160	\$1,526	\$1,191	\$1,117	\$1,563	\$1,476
6"	\$1,620	\$1,493	\$1,550	\$1,982	\$1,563	\$1,493	\$2,166	\$2,085
8"	\$2,520	\$2,378	\$2,423	\$3,028	\$2,435	\$2,333	\$3,213	\$3,095
10"	\$3,917	\$3,708	\$3,850	\$4,460	\$3,831	\$3,708	\$4,810	\$4,667
12"	\$4,951	\$4,692	\$4,649	\$5,807	\$4,738	\$4,477	\$7,352	\$7,050
14"	\$15,321	\$14,499	\$14,499	\$20,660	\$14,910	\$14,499	\$16,597	\$16,187
16"	\$16,624	\$15,728	\$15,728	\$25,599	\$16,176	\$15,728	\$18,849	\$18,356
18"***	\$27,342	\$25,744	\$25,744	\$28,821	\$26,543	\$25,744	\$31,277	\$30,478
20"***	\$32,647	\$30,918	\$30,918	\$36,179	\$31,784	\$30,918	\$37,666	\$36,800
24"***	\$46,602	\$43,962	\$43,962	\$49,993	\$45,280	\$43,962	\$51,259	\$49,941
30/36"****	POA	POA	POA		POA	POA		
42/48"****	POA	POA	POA		POA	POA		
54"****			POA					

\*Does not include bolts, nuts and gaskets for flange side.

\*\*18" 20" and 24" furnished with gear only - Add gearing prices from below

\*\*\*Furnished with Gear only

	<b>F6112</b>	<b>F6112</b>	<b>F6113</b>	<b>F6113</b>	<b>F6103</b>	<b>F6110</b>	<b>F6111</b>	<b>F6111</b>
	<b>TYTON</b>	<b>TYTON</b>	<b>FLG X TYTON</b>	<b>FLG X TYTON</b>	<b>THREADED</b>	<b>PVC</b>	<b>CUTTING</b>	<b>INCUTTING IN</b>
	<b>W/GASKET</b>	<b>W/O GASKET</b>	<b>W/GASKET</b>	<b>W/O GASKET</b>	<b>W/GASKET</b>	<b>W/GASKET</b>	<b>W/ACC</b>	<b>L/ACC</b>
<u>Size</u>	<u>26##-DA</u>	<u>26##-50</u>	<u>26##-EA</u>	<u>26##-25</u>	<u>26##-60</u>	<u>26##-56</u>	<u>26##-CA</u>	<u>26##-33</u>
2"					\$714	\$761		
2-1/2"					\$884	\$1,043		
3"					\$1,053	\$1,112		
4"	\$1,275	\$1,201	\$1,210	\$1,180		\$1,273	\$1,649	\$1,614
6"	\$1,648	\$1,581	\$1,599	\$1,555		\$1,648	\$2,243	\$2,204
8"	\$2,627	\$2,402	\$2,515	\$2,458		\$2,598	\$3,478	\$3,430
10"	\$4,017	\$3,880	\$3,934	\$3,865		\$4,018	\$5,148	\$4,920
12"	\$5,028	\$4,863	\$4,840	\$4,756		\$5,028	\$6,496	\$6,210
14"	\$16,145	\$15,997						
16"	\$16,451	\$16,302						

### HDPE ENDS

#### SDR 11

#### 2638-95

\$991

\$1,401

\$1,551

\$2,041

\$3,335

\$5,763

\$8,015

Size  
**14"-16"**

**18"**

**20"**

**24"**

#### Enclosed Bevel

#### Gears NRS

\$4,933

\$5,866

\$5,866

\$6,583

#### Enclosed Spur

#### Gears NRS

\$4,734

\$5,445

\$5,445

\$6,355

### Adders:

316 s/s B&N and Mitre Box Gearing  
Indicator Post Plate  
Chainwheels  
Bronze Op Nut  
RW touch up paint

\$1000 net adder  
3"-12"  
POA  
\$120

**2"-12" RW VALVE  
MATERIAL LIST  
CLOW VALVE COMPANY**

ITEM	DESCRIPTION
1	Hex Head Bolt
2	Flat Washer
3	Operating Nut
4	Hex Head Bolts & Nuts
5	Follower Plate
6	Stem O-Ring
7	Follower Plate O-Ring/gasket
8	Thrust Washer Bearing
9	Hex Head Bolts & Nuts
10	Stem
11	Indicator Post Plate (Optional 3-12")
12	Cover
13	Cover O-Ring
14	Stem Nut
15	Wedge
16	Body - all types

**Clow Resilient Wedge Valve Parts**

\*\*\* Parts are for NRS valves only \*\*\*

<u>Item #</u>	<u>Description</u>	<u>2"</u>	<u>Part#</u>	<u>2 1/2"</u>	<u>Part#</u>	<u>3"</u>	<u>Part#</u>
1	Hold Down Bolt	\$6	T0400750	\$6	T0400750	\$6	T0400750
2	Bolt Washer	\$2	T0200666	\$2	T0200666	\$2	T0200666
3	Op Nut OL	\$28	I0800122	\$28	I0800122	\$28	I0800006
	Op Nut OR	\$28	M0800009	\$28	M0800009	\$28	I0800102
	Hand Wheel OL	\$82	I0800047	\$82	I0800047	\$82	I0800042
	Hand Wheel OR	\$82	I0800188	\$82	I0800188	\$82	I0800190
4	Follower Bolts	\$3	T0400338	\$3	T0400175	\$3	T0400338
	and nuts (2 per)	\$3	T0400340	\$3	T0400340	\$3	T0400340
5	Follower Plate 2640	\$29	M2401327	\$29	M2401327	\$50	M2401314
	Follower Plate 2639	\$29	M2401274	\$29	M2401274	\$50	M2401275
<b>Follower plate includes o'ring</b>							
6	Stem O'ring 3 per	\$4	T2401269	\$4	T2401269	\$4	T2401242
7	Flwr Plate O'ring	\$6	T2401270	\$6	T2401270	\$7	T2401250
8	Thrust Washer	\$2	T0200674	\$2	T0200674	\$2	T0200179
9	Cover Bolts	\$3	T0400338	\$3	T0400338	\$3	T0400338
	and nuts	\$3	T0400340	\$3	T0400340	\$3	T0400340
10	Stem OL (867)	\$129	F2203230	\$129	F2203244	\$267	F2203232
	Stem OR (867)	\$129	F2203231	\$129	F2203265	\$267	F2203233
	Stem OL (NDZ)	\$129	F2203250	\$129	F2203246	\$267	F2203252
	Stem OR (NDZ)	\$129	F2203251	\$129	F2203245	\$267	F2203253
<b>Stem includes o'rings and thrust washer</b>							
11	Ind Post Plate					\$268.00	M2401207
12	Cover 2640	\$239	M0300968	\$277	M0300969	\$324	M0300970
	Cover 2639	\$239	M0300945	\$277	M0300946	\$324	M0300947
13	Cover O'ring	\$8	T2401271	\$11	T2401272	\$16	T2401273
14	Stem Nut OL	\$65	F2305587	\$65	F2305587	\$69	F2305557
	Stem Nut OR	\$65	F2305588	\$65	F2300652	\$69	F2305558
15	Wedge	\$210	M0900411	\$253	M0900412	\$277	M0900413
16	Body 2640 MJ	\$587	M0103080			\$706	M0103085
	Body 2640 FLG	\$587	M0103077	\$668	M0103078	\$706	M0103079
	Body 2639 MJ	\$587	M0102965			\$706	M0102966
	Body 2639 FLG	\$587	M0102957	\$668	M0102958	\$706	M0102959
	All other bodies POA						

\* All prices are list each \*

(2640 is gray (cast iron) / 2639 is full body ductile iron)

**Clow Resilient Wedge Valve Parts**

**\*\*\* Parts are for NRS valves only \*\*\***

<u>Item #</u>	<u>Description</u>	<u>4"</u>	<u>Part#</u>	<u>6"</u>	<u>Part#</u>	<u>8"</u>	<u>Part#</u>
1	Hold Down Bolt	\$6	T0400750	\$6	T0400472	\$6	T0400472
2	Bolt Washer	\$3	T0200666	\$3	T0200667	\$3	T0200667
3	Op Nut OL	\$28	I0800006	\$28	I0800105	\$28	I0800097
	Op Nut OR	\$28	I0800102	\$28	I0800113	\$28	I0800108
	Hand Wheel OL	\$82	I0800042	\$149	I0800091	\$236	I0800013
	Hand Wheel OR	\$82	I0800190	\$149	I0800191	\$236	I0800192
4	Follower Bolts	\$3	T0400688	\$3	T0400345	\$3	T0400462
	and nuts	\$3	T0400347	\$3	T0400347	\$3	T0400347
5	Follower Plate	\$55	M2401254	\$55	M2401255	\$70	M2401265
<b>Follower plate includes o'ring</b>							
6	Stem O'ring 3 per	\$4	T2401242	\$7	T2401249	\$7	T2401261
7	Flwr Plate O'ring	\$7	T2401250	\$7	T2401251	\$7	T2401251
8	Thrust Washer	\$2	T0200179	\$3	T0200216	\$3	T0200189
9	Cover Bolts	\$3	T0400338	\$3	T0400462	\$3	T0400407
	and nuts	\$3	T0400340	\$3	T0400347	\$3	T0400347
10	Stem OL (867)	\$282	F2203234	\$382	F2203236	\$515	F2203238
	Stem OR (867)	\$282	F2203235	\$382	F2203237	\$515	F2203239
	Stem OL (NDZ)	\$282	F2203254	\$382	F2203256	\$515	F2203258
	Stem OR (NDZ)	\$282	F2203255	\$382	F2203257	\$515	F2203259
<b>Stem includes o'rings and thrust washer</b>							
11	Ind Post Plate	\$268	M2401329	\$268	M2401330	\$268	M2401331
12	Cover 2640	\$363	M0301002	\$401	M0301003	\$453	M0301004
	Cover 2639	\$363	M0301012	\$401	M0301013	\$453	M0301014
	Cover 2638	\$363	M0300948	\$401	M0300949	\$453	M0300950
13	Cover O'ring	\$18	T2401252	\$19	T2401253	\$22	T2401266
14	Stem Nut OL	\$69	F2305557	\$124	F2305549	\$143	F2305555
	Stem Nut OR	\$69	F2305558	\$124	F2305550	\$143	F2305556
15	Wedge	\$339	M0900457	\$429	M0900458	\$646	M0900459
16	Body 2640 MJ	\$811	M0103181	\$1,193	M0103157	\$1,565	M0103158
	Body 2640 FLG	\$811	M0103151	\$1,193	M0103152	\$1,565	M0103153
	Body 2639 MJ	\$811	M0103189	\$1,193	M0103190	\$1,565	M0103191
	Body 2639 FLG	\$811	M0103184	\$1,193	M0103185	\$1,565	M0103186
	Body 2638 MJ	\$811	M0102967	\$1,193	M0102968	\$1,565	M0102969
	Body 2638 FLG	\$811	M0102960	\$1,193	M0102961	\$1,565	M0102962
	All other bodies POA						

**\* All prices are list each \***  
**(2640 is gray (cast iron) / 2639 is full body ductile iron)**



### Clow Resilient Wedge Valve Parts

\*\*\* Parts are for NRS valves only \*\*\*

<u>Item #</u>	<u>Description</u>	<u>10"</u>	<u>Part#</u>	<u>12"</u>	<u>Part#</u>
1	Hold Down Bolt	\$6	T0400811	\$6	T0400811
2	Bolt Washer	\$3	T0200667	\$3	T0200667
3	Op Nut OL	\$28	I0800100	\$28	I0800100
	Op Nut OR	\$28	M0800114	\$28	M0800114
	Hand Wheel OL	\$299	I0800017	\$299	I0800017
	Hand Wheel OR	\$299	I0800195	\$299	I0800195
4	Follower Bolts	\$3	T0400905	\$3	T0400905
	and nuts	\$3	T0400381	\$3	T0400381
5	Follower Plate	\$90	M2401264	\$90	M2401264
<b>Follower plate includes o'ring</b>					
6	Stem O'ring 3 per	\$7	T2401262	\$7	T2401262
7	Flwr Plate O'ring	\$7	T2401263	\$7	T2401263
8	Thrust Washer	\$4	T0200191	\$4	T0200191
9	Cover Bolts	\$3	T0400824	\$3	T0400846
	and nuts	\$3	T0400347	\$3	T0400347
10	Stem OL (867)	\$734	F2203240	\$921	F2203242
	Stem OR (867)	\$734	F2203241	\$921	F2203243
	Stem OL (NDZ)	\$734	F2203260	\$921	F2203262
	Stem OR (NDZ)	\$734	F2203261	\$921	F2203263
<b>Stem includes o'rings and thrust washer</b>					
11	Ind Post Plate 2638	\$268	M2401332	\$268	M2401332
12	Cover 2640	\$797	M0301005	\$1,107	M0301006
	Cover 2639	\$797	M0301015	\$1,107	M0301016
	Cover 2638	\$797	M0300951	\$1,107	M0300952
13	Cover O'ring	\$32	T2401267	\$32	T2401268
14	Stem Nut OL	\$181	F2305553	\$181	F2305553
	Stem Nut OR	\$181	F2305554	\$181	F2305554
15	Wedge	\$983	M0900417	\$1,298	M0900418
16	Body 2640 MJ	\$2,595	M0103159	\$3,416	M0103160
	Body 2640 FLG	\$2,595	M0103154	\$3,416	M0103155
	Body 2639 MJ	\$2,595	M0103192	\$3,416	M0103193
	Body 2639 FLG	\$2,595	M0103187	\$3,416	M0103188
	Body 2638 MJ	\$2,595	M0102970	\$3,416	M0102971
	Body 2638 FLG	\$2,595	M0102963	\$3,416	M0102964
	All other bodies POA				

\* All prices are list each \*  
 (2640 is gray (cast iron) / 2639 is full body ductile iron)

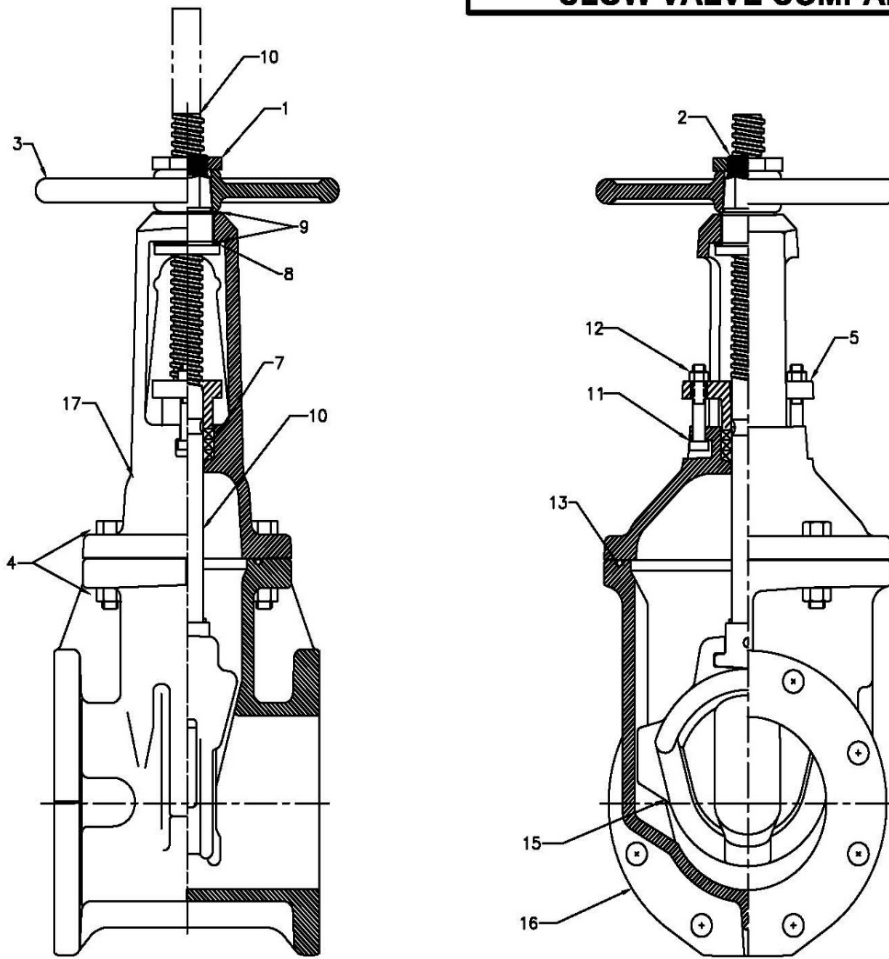
### Clow Resilient Wedge Valve Parts C515 (2638)

\*\*\* Parts are for NRS valves only \*\*\*

<u>Item #</u>	<u>Description</u>	<u>14"</u>	<u>Part#</u>	<u>16"</u>	<u>Part#</u>
1	Hold Down Bolt	\$6	T0400811	\$6	T0400811
2	Bolt Washer	\$2	T0200667	\$2	T0200667
3	Op Nut OL	\$28	I0800100	\$28	I0800100
	Op Nut OR	\$28	M0800114	\$28	M0800114
	Hand Wheel OL	\$341	M0800470	\$341	M0800470
	Hand Wheel OR	\$341	I0800739	\$341	I0800739
4	Follower Bolts	\$3	T0400905	\$3	T0400905
	and nuts (2 per)	\$3	T0400381	\$3	T0400381
5	Follower Plate 2638	\$458	M2401316	\$458	M2401316
<b>Follower plate includes o'ring</b>					
6	Stem O'ring (3 per)	\$5	T2401279	\$5	T2401279
7	Follower Plate O'ring	\$7	T2401263	\$7	T2401263
8	Thrust Washer	\$2	T0200669	\$2	T0200669
9	Cover Bolts	\$13	T0400795	\$13	T0400795
	and nuts	\$3	T0400409	\$3	T0400409
10	Stem OL (867)	\$1,299	F2202910	\$1,299	F2202910
	Stem OR (867)	\$1,299	F2202925	\$1,299	F2202925
	Stem OL (NDZ)	\$1,299	F2202952	\$1,299	F2202952
	Stem OR (NDZ)	\$1,299	F2202953	\$1,299	F2202953
<b>Stem includes o'rings and thrust washer</b>					
11	Ind Post Plate 2638	\$694	M2401359	\$694	M2401359
12	Cover 2638	\$1,195	M0300670	\$1,195	M0300670
13	Cover O'ring	\$16	T2401280	\$16	T2401280
14	Stem Nut OL	\$324	F2305593	\$324	F2305593
	Stem Nut OR	\$324	F2305606	\$324	F2305606
15	Wedge	\$1,769	M0900442	\$1,769	M0900442
16	Body 2638 MJ	\$4,209	M0102426	\$4,777	M0102228
	Body 2638 FLG	\$5,350	M0102425	\$5,350	M0102227
	All other bodies POA				

\* All prices are list each \*

2"-12" R/W OS&Y VALVE  
 MATERIAL LIST  
**CLOW VALVE COMPANY**



ITEM	DESCRIPTION
1	Handwheel Hold Down Nut
2	Top Stem Nut
3	Handwheel
4	Hex Head Bolts & Nuts
5	Follower Gland
7	Packing
8	Thrust Washer Bearing
9	Thrust Washer 2-2½" (0); 3-4" (1) 6-12" (2)
10	Stem
11	Packing Bolts
12	Packing Bolt Nuts
13	Cover O-Ring
15	Wedge
16	Body - all types
17	Cover

### Clow Resilient Wedge Valve Parts

\*\*\* Parts are for OS&Y valves only \*\*\*

<u>Item #</u>	<u>Description</u>	<u>2"</u>	<u>Part#</u>	<u>2 1/2"</u>	<u>Part#</u>	<u>3"</u>	<u>Part#</u>
1	Hold Down Nut	\$53	F2000469	\$53	F2000469	\$53	F2000470
2	Top Stem Nut	\$132	F2300561	\$132	F2300561	\$165	F2300563
3	Hand Wheel	\$108	I0800589	\$108	I0800589	\$175	I0800591
4	Cover Bolts	\$3	T0400338	\$3	T0400338	\$3	T0400338
	Cover Nuts	\$3	T0400340	\$3	T0400340	\$3	T0400340
5	Follower Gland 2640	\$50	M2401097	\$50	M2401097	\$53	M2401098
7	Packing	\$26	T2400442	\$26	T2400442	\$26	T2400021
8	Lower Washer	\$3	T0200189	\$3	T0200189	\$5	T0200557
9	Upper Washer					\$17	F0200670
10	Stem & Bottom Nut	\$198	F2202718	\$198	F2202472	\$490	F2202474
<b>Stem includes o'rings</b>							
11	Packing Nuts	\$14	T0400138	\$14	T0400138	\$14	T0400138
12	Packing Bolts	\$14	T0400140	\$14	T0400091	\$14	T0400091
13	Cover O'ring	\$11	T2401271	\$11	T2401272	\$16	T2401273
15	Wedge	\$210	M0900411	\$210	M0900412	\$277	M0900413
16	Body 2640	\$668	M0103077	\$668	M0103078	\$706	M0103079
	Body 2639	\$668	M0102957	\$668	M0102958	\$706	M0102959
17	Cover 2640	\$207	M0300933	\$329	M0300953	\$396	M0300973
	Cover 2639	\$207	M0300933	\$329	M0300953	\$396	M0300954
	Stem O'ring	\$4	T2401242	\$4	T2401242	\$4	t2401261

<u>Item #</u>	<u>Description</u>	<u>4"</u>	<u>Part#</u>	<u>6"</u>	<u>Part #</u>	<u>8"</u>	<u>Part#</u>
1	Hold Down Nut	\$53	F2000470	\$59	F2000262	\$59	F2000262
2	Top Stem Nut	\$165	F2300563	\$215	F2300551	\$248	F2300567
3	Hand Wheel	\$175	I0800591	\$205	I0800579	\$252	I0800593
4	Cover Bolts	\$3	T0400338	\$3	T0400462	\$3	T0400407
	Cover Nuts	\$3	T0400340	\$4	T0400347	\$4	T0400347
5	Follower Gland 2640	\$53	M2401098	\$66	M2401099	\$79	M2401100
7	Packing	\$26	T2400021	\$26	T2400021	\$26	T2400021
8	Lower Washer	\$13	T0200559	\$13	T0200559	\$13	T0200559
9	Upper Washer	\$17	F0200670	\$23	F0200668	\$23	F0200668
10	Stem & Bottom Nut	\$363	F2202476	\$561	F2202454	\$784	F2202456
<b>Stem includes o'rings</b>							
11	Packing Nuts	\$14	T0400138	\$14	T0400138	\$20	T0400138
12	Packing Bolts	\$14	T0400848	\$14	T0400848	\$20	T0400848
13	Cover O'ring	\$18	T2401252	\$19	T2401253	\$22	T2401266
15	Wedge	\$339	M0900457	\$429	M0900458	\$646	M0900459
16	Body 2640	\$813	M0102024	\$1,193	M0101997	\$1,565	M0102022
	Body 2639	\$813	M0102960	\$1,193	M0103185	\$1,565	M0103186
	Body 2638	\$813	M0102960	\$1,193	M0102961	\$1,565	M0102962
17	Cover 2640	\$429	M0301007	\$495	M0301008	\$618	M0301009
	Cover 2639	\$429	M0301017	\$495	M0301018	\$618	M0301019
	Cover 2638	\$429	M0300955	\$495	M0300956	\$618	M0300957
	Stem O'ring	\$4	T2401261	\$7	T2401262	\$7	T2401325

### Clow Resilient Wedge Valve Parts

\*\*\* Parts are for OS&Y valves only \*\*\*

<u>Item #</u>	<u>Description</u>	<u>10"</u>	<u>Part#</u>	<u>12"</u>	<u>Part#</u>
1	Hold Down Nut	\$83	F2000287	\$83	F2000287
2	Top Stem Nut	\$297	F2300565	\$297	F2300565
3	Hand Wheel	\$393	I0800595	\$393	I0800595
4	Cover Bolts	\$3	T0400979	\$3	T0400846
	Cover Nuts	\$4	T0400347	\$4	T0400347
5	Follower Gland 2640	\$92	M2401101	\$92	M2401101
7	Packing	\$26	T2400760	\$26	T2400760
8	Lower Washer	\$17	T0200672	\$17	T0200672
9	Upper Washer	\$33	F0200671	\$33	F0200671
10	Stem & Bottom Nut	\$1,056	F2202458	\$1,190	F2202460
		Stem includes o'rings			
11	Packing Nuts	\$20	T0400179	\$20	T0400179
12	Packing Bolts	\$20	T0401087	\$20	T0401087
13	Cover O'ring	\$32	T2401267	\$32	T2401268
15	Wedge	\$983	M0900417	\$1,298	M0900418
16	Body 2640	\$2,595	M0102020	\$3,416	M0102018
	Body 2639	\$2,595	M0103187	\$3,416	M0103188
	Body 2638	\$2,595	M0102963	\$3,416	M0102964
17	Cover 2640	\$957	M0301010	\$1,146	M0301011
	Cover 2639	\$957	M0301020	\$1,146	M0301021
	Cover 2638	\$957	M0300958	\$1,146	M0300595
	Stem O'ring	\$7	T2401279	\$7	T2401279

**Clow Valve Accessories (RW & DD)**

Size	MJ Gasket		MJ Gland		MJ Transition Gasket		CI Push-On Gasket	
2"	T0600121	\$11	I2400746	\$43	T0600351	\$12		
3"	T0600103	\$13	I2400454	\$54	T0600138	\$21		
4"	T0600130	\$16	I2400265	\$54	T0600097	\$27	T0600086	\$12
6"	T0600136	\$19	I2400272	\$75	T0600089	\$32	T0600118	\$23
8"	T0600082	\$27	I2400264	\$105	T0600098	\$49	T0600069	\$33
10"	T0600111	\$37	I2400253	\$153	T0600105	\$119	T0600134	\$38
12"	T0600081	\$40	I2400257	\$172	T0600192	\$134	T0600144	\$64
14"	T0600074	\$65	I2400268	\$281				
16"	T0600143	\$69	I2400250	\$334				
18"	T0600091	\$75	I2400262	\$721				
20"	T0600108	\$84	I2400258	\$930				
24"	T0600128	\$99	I2400266	\$1,403				

Size	Cutting In Gland		DI Retainer Gland		PVC Gasket		Tap Gasket	
2"					T0600500	\$5		
2 1/2"					T0600506	\$5		
3"					T0600501	\$11		
4"	M2400265	\$77	T2400782	\$96	T0600502	\$16	T0600555	\$8
6"	M2400272	\$87	T2400549	\$109	T0600503	\$24	T0600556	\$11
8"	M2400264	\$106	T2400562	\$160	T0600499	\$26	T0600557	\$18
10"	M2400253	\$128	T2400783	\$239	T0600550	\$36	T0600558	\$24
12"	M2400257	\$155	T2400784	\$351	T0600551	\$61	T0600559	\$30
14"	M2400257	\$155	T2400880	\$630			T0600560	\$47
16"			T2400786	\$630			T0600561	\$61
18"			T2400881	\$630			T0600562	\$68
20"			T2400803	\$918			T0600563	\$84
24"			T2400804	\$1,033			T0600564	\$101

**Indicator Post Plates**

<u>Size</u>	<u>RW 2-bolt</u>	<u>Price</u>	<u>Double Disc 3 Bolt</u>	
3"	M2401367	\$268		
4"	M2401329	\$268	M2400411	\$268
6"	M2401330	\$268	M2400413	\$268
8"	M2401331	\$268	M2400414	\$268
10-12"	M2401332	\$268	M2400415	\$268
14-16"	M2401359	\$694	M2400194	\$694

**Floor Stands w/ HW**

F5500 Standard Pattern Non-Indicating	\$695.52	List
F5505 Standard Pattern Indicating 83 Turns	\$900.90	List
F5505 Standard Pattern Indicating (144 Turns)	\$1,138.47	List
F5505 Standard Pattern Indicating (288 Turns)	\$1,369.67	List

**Prices include steel stem extending 17" below base of the floorstand and one coupling**

Geared Floorstand POA

**Extension Stems**

<u>AWWA Valves Size</u>	<u>Dia of Ext Stem</u>	<u>Mud Valve Size</u>	<u>Dia of Ext Stem</u>
2"	1"	4"	1 1/8"
3"	1"	6"	1 1/8"
4"	1 1/8"	8"	1 1/4"
6"	1 1/4"	10"	1 1/4"
8"	1 1/4"	12"	1 1/4"
10"	1 1/2"	14"	1 1/4"
12"	1 1/2"	16"	1 3/8"
14"	1 1/2"	18"	1 3/8"
16"	1 1/2"	20"	1 1/2"
16"-36" (Geared)	1 1/4"	24"	1 1/2"
42"-54"	1 1/2"		

**EPV and BFV require 1 1/4" dia extension stem**

<u>DIA</u>	<u>1st 5'</u>	<u>Extra 12" or fraction of</u>	<u>Ext stem parts</u>	<u>List Each</u>
1"	\$195.02 List	\$11.75 List	2" Socket	\$62.67
1 1/8"	\$212.87 List	\$13.42 List	2" Ext Stem ON	\$47.70
1 1/4"	\$231.50 List	\$16.50 List	13" Ext Stem HW	\$69.58
1 3/8"	\$255.53 List	\$19.83 List	Ext Stem Cplg (need on	\$71.45
1 1/2"	\$271.07 List	\$23.67 List		

Extension stem pricing includes a 2" socket on the bottom and HW or ON on top.

S/S extension stems POA

**Stem Guides**

#3 - Distance from wall 2 1/2" min - 17" max	\$156.86	List
#5 - Distance from wall 15" min - 24" max	\$156.86	List
#6 - Distance from wall 24" min - 35" max	\$235.29	List

(Stem guides recommended every 10')

**F5695 Bushed Floorbox** - 12" long \$141.75 List

**T Handle wrench 5'** POA

### Horizontal Swing Check Valves

Size	Style 1106	Style 1106LW	Style 1106SL
	Plain	Weight and Lever	Spring and Lever
2"	\$1,090	\$1,916	\$1,916
2 1/2"	\$1,376	\$2,024	\$2,024
3"	\$1,376	\$2,199	\$2,199
4"	\$1,700	\$2,590	\$2,590
6"	\$2,553	\$3,484	\$3,484
8"	\$3,737	\$5,280	\$5,280
10"	\$6,706	\$8,473	\$8,473
12"	\$10,497	\$12,184	\$12,184

Size	Style 159-02	Style 259-02
	Weight and Lever	Spring and Lever
14"	\$16,863	\$16,863
16"	\$22,015	\$22,015
18"	\$31,092	\$31,092
20"	\$36,657	\$36,657
24"	\$50,889	\$50,889
30"		
36"		

Size	Style 1126 ULFM	Style 1206	Style 506
	Plain	Cushion Check Weight and Lever	Kenflex Resilient Hinged Check
2 1/2"	POA		
3"	POA	\$5,065	
4"	POA	\$5,841	\$595
6"	POA	\$6,551	\$942
8"	POA	\$8,441	\$1,504
10"	POA	\$12,291	\$2,696
12"	POA	\$17,795	\$4,096

\*\*\*\*\* All the above check valves can be supplied as bronze or rubber faced\*\*\*\*\*

Size	Style 1306A	Style 1306AW	Style 1306AS
	Increasing Check Plain	Increasing Check Weight and Lever	Increasing Check Spring and Lever
4x6	\$2,659	\$3,712	\$3,712
4x8	\$2,714	\$3,737	\$3,737
6x8	\$3,460	\$4,881	\$4,881
6x10	\$3,551	\$4,975	\$4,975
8x10	\$7,413	\$9,451	\$9,451
8x12	\$7,861	\$9,891	\$9,891
10x12	\$10,180	\$12,880	\$12,880

\* Style 306 check valves come as rubber face only \*



---

**AWWA IRON SWING CHECK VALVE PARTS 1106/1106A, LS & LW**


---

<b>Item #</b>	<b>Description</b>	<b>2"</b>	<b>Part #</b>	<b>2 1/2"</b>	<b>Part #</b>	<b>3"</b>	<b>Part #</b>
1A	Side Plug (2 in 1106's, 1-LS/LW)	\$43	3160885	\$43	3160885	\$43	3160885
1AA	Side Plug O-Rings (2 pc)	\$4	442731P	\$4	442731P	\$4	442731P
2A	Cap Bolts (price per pair)	\$11	460228P	\$11	460228P	\$11	460231P
3A	Cap O-Ring	\$15	442790P	\$15	442790P	\$18	442790P
4A	Cap	\$112	3103330	\$112	3103330	\$120	3103330
5A & 15A	Body with Seat Ring	\$450	3101042	\$536	3101052	\$694	3101062
6A	Hinge Pin (Plain)	\$48	445100P	\$48	445101P	\$57	445102P
7AA	Hinge (Plain)	\$86	3164202	\$108	3163522	\$126	3164222
*7AB	Hinge w/keyway for LS/LW	\$108	3164203	\$123	3163523	\$143	3164223
10A	Disc Holder	\$90	3120602	\$100	3120432	\$139	3118382
11A	Disc Plate	\$44	3157222	\$65	3157232	\$69	3157092
12AA	Disc (Rubber Faced)	\$35	440890P	\$35	440891P	\$45	440879P
12AB	Disc (Bronze Faced)	\$85	3120422	\$85	3121022	\$141	3120442
13A	Disc Nut	\$11	460365P	\$11	460209P	\$11	460209P
15A	Seat Ring	\$45	3146891	\$59	3146631	\$72	3146641
16A	Spring	\$20	444613P	\$20	444613P	\$20	444613P
*17A	Extended Hinge Pin for LS/LW	\$195	3226472	\$195	3226482	\$219	3168232
18A	Key for LS/LW	\$7	3169592	\$7	3169592	\$7	3169592
19A	Set Screw for Weight	\$11	444024P	\$11	444024P	\$11	444024P
20AA	Lever Arm for L/S	\$72	315387A	\$72	315387A	\$72	315388A
	Lever Arm for L/W	\$72	315387A	\$72	315387A	\$72	315388A
21A	Bracket	\$46	3366052	\$46	3366052	\$46	3366052
22A	Hex Head Bracket Bolt	\$5	444389P	\$5	444389P	\$5	444389P
23A	Eye Bolt (w/2 Hex Nuts)	\$49	440238P	\$49	440238P	\$49	440238P
	Hex nut for eyebolt	**	442410P	**	442410P	**	442410P
24A	Stuffing Box	\$118	3140732	\$118	3140732	\$118	3140732
25A	Packing	\$22	452750L	\$22	452750L	\$22	452750L
26A	Gland	\$53	3141572	\$53	3141572	\$53	3141572
27A	Weight	\$89	3163053	\$89	3163053	\$138	3163053
28A	Set Screw For Lever	\$11	443928P	\$11	443928P	\$11	443928P

\* Not interchangeable with parts manufactured prior to 1978 - must order hinge & pin.

\*\* Price per pair or set (1 each of a bolt & nut)

\*\*\* Above part codes for current production only. Please specify year of manufacture when ordering \*\*\*

---

**AWWA IRON SWING CHECK VALVE PARTS 1106/1106A, LS & LW**


---

<b>Item #</b>	<b>Description</b>	<b>4"</b>	<b>Part #</b>	<b>6"</b>	<b>Part #</b>	<b>8"</b>	<b>Part #</b>
1A	Side Plug (2 in 106's, 1 - LS/LW)	\$53	3160905	\$72	3160955	\$99	3160685
1AB	Side Plug O-Rings (2 pc)	\$4	477531P	\$4	442642P	\$4	442727P
2A	Cap Bolts (price per pair)	\$14	444430P	\$15	460236P	\$16	460247P
3A	Cap O-Ring	\$18	442611P	\$23	442794P	\$27	442768P
4A	Cap	\$193	3103340	\$325	3103360	\$409	3103380
5A & 15A	Body with Seat Ring	\$1,052	3101082	\$1,730	3101122	\$2,702	3101162
6A	Hinge Pin (Plain)	\$75	445103P	\$119	445105P	\$159	445106P
7AA	Hinge (Plain)	\$163	3163555	\$226	3163575	\$280	3163585
*7AB	Hinge w/keyway for LS/LW	\$183	3163558	\$246	3163578	\$336	3163588
8AA	Disc Bolt (Rubber Faced)	\$56	3154634	\$149	3154593	\$176	3154603
8AB	Disc Bolt (Bronze Faced)	\$47	440230P	\$56	440232P	\$65	440234P
9AA	Disc Bolt O-ring (Rubber)	\$7	442634P	\$7	442636P	\$7	442636P
9AB	Disc Bolt Gasket (Bronze)	\$7	441865P	\$7	441867P	\$7	441867P
10A	Disc Holder	\$143	3115964	\$315	3115984	\$472	3116074
11A	Disc Plate	\$88	3157022	\$178	3157032	\$288	3157042
12AA	Disc (Rubber Faced)	\$95	440881P	\$148	440885P	\$192	440887P
12AB	Disc (Bronze Faced)	\$235	2115793	\$280	2115813	\$330	2115823
13A	Disc Nut (Bronze)	\$16	460210P	\$19	460211P	\$19	460211P
13AB	Disc Nut (Rubber)	\$11	460209P	\$16	460210P	\$16	460210P
15A	Seat Ring	\$84	3145574	\$106	3145584	\$185	3145594
15AA	Seat Ring O-Ring		442714P		442658P		442716P
16A	Spring	\$34	444619P	\$53	444621P	\$53	444620P
*17A	Extended Hinge Pin for LS/LW	\$375	3167942	\$531	3167892	\$643	3167902
18A	Key for LS/LW (2 per)	\$9	3169602	\$9	3169602	\$9	3169602
19A	Set Screw for Weight	\$11	444024P	\$11	444024P	\$11	444024P
20AA	Lever Arm for L/S	\$101	315389A	\$118	315391A	\$134	315392A
20AB	Lever Arm for L/W	\$101	315389B	\$118	315391B	\$134	315392B
21A	Bracket	\$63	3366062	\$78	3366072	\$92	3366082
22A	Hex Head Bracket Bolt (2 per)	\$5	444402P	\$5	444410P	\$5	444410P
23A	Eye Bolt (w/2 Hex Nuts)	\$49	440236P	\$49	440236P	\$49	440236P
	Hex nuts for eyebolt	**	442412P	**	442412P	**	442412P
24A	Stuffing Box	\$149	3140742	\$166	3140752	\$183	3140762
25A	Packing	\$29	452768L	\$34	452764L	\$39	452750L
26A	Gland	\$53	3141592	\$67	3141612	\$74	3141622
27A	Weight	\$154	3163053	\$154	3163053	\$162	3163083
28A	Set Screw For Lever	\$11	443986P	\$11	443986P	\$11	443986P

\* Not interchangeable with parts manufactured prior to 1978 - must order hinge & pin.

\*\* Price per pair or set (1 each of a bolt & nut)

\*\*\* Above part codes for current production only. Please specify year of manufacture when ordering \*\*\*

**AWWA IRON SWING CHECK VALVE PARTS 1106/1106A, LS & LW**

<u>Item #</u>	<u>Description</u>	<u>10"</u>	<u>Part #</u>	<u>12"</u>	<u>Part #</u>
1A	Side Plug (2 in 106's, 1 - LS/LW)	\$136	3160765	\$136	3160765
1AB	Side Plug O-Rings (2 pc)	\$4	442659P	\$4	442659P
2A	Cap Bolts (price per pair)	\$16	460247P	\$20	460247P
3A	Cap O-Ring	\$40	442769P	\$48	442770P
4A	Cap	\$630	3103400	\$746	3103420
5A & 15A	Body with Seat Ring	\$4,562	3101202	\$6,251	3101242
6A	Hinge Pin (Plain)	\$222	3167772	\$320	445108P
7AA	Hinge (Plain)	\$452	3163695	\$586	3163705
*7AB	Hinge w/keyway for LS/LW	\$574	3163698	\$623	3163708
8AA	Disc Bolt (Rubber Faced)	\$185	3152863	\$225	3152873
8AB	Disc Bolt (Bronze Faced)	\$108	3152862	\$161	3152872
9AA	Disc Bolt O-ring	\$7	442638P	\$7	442640P
10A	Disc Holder	\$590	3116094	\$782	3120554
11A	Disc Plate	\$389	3157052	\$432	3157062
12AA	Disc (Rubber Faced)	\$228	440898P	\$263	440899P
12AB	Disc (Bronze Faced)	\$525	2116093	\$812	2120553
13A	Disc Nut (Brz or Rbr)	\$19	460211P	\$22	460234P
15A	Seat Ring	\$253	3146694	\$304	3146704
15AA	Seat Ring O-Ring	\$40	442677P	\$48	442679P
16A	Spring	\$174	444622P	\$174	444622P
*17A	Extended Hinge Pin for LS/LW	\$817	3226502	\$1,125	3167882
18A	Key for LS/LW (2 per)	\$12	3169622	\$12	3169622
19A	Set Screw for Weight	\$11	444024P	\$11	444024P
20AA	Lever Arm for L/S	\$145	315393A	\$161	315394A
20AB	Lever Arm for L/W	\$145	315393A	\$161	315393A
21A	Bracket	\$92	3366092	\$98	3366102
22A	Hex Head Bracket Bolt (2 per)	\$5	444349P	\$5	444349P
23A	Eye Bolt (w/2 Hex Nuts)	\$49	440236P	\$49	440236P
	Hex Nuts	**	442412P		442412P
24A	Stuffing Box	\$225	3140772	\$225	3140772
25A	Packing	\$43	452768L	\$43	452768L
26A	Gland	\$82	3141632	\$82	3141632
27A	Weight	\$228	3163093	\$296	3163103
28A	Set Screw For Lever	\$11	443986P	\$11	443986P

\* Not interchangeable with parts manufactured prior to 1978 - must order hinge & pin.

\*\* Price per pair or set (1 each of a bolt & nut)

\*\*\* Above part codes for current production only. Please specify year of manufacture when ordering \*\*\*

## In Plant Valves

### Mud Valves

F3075		F3085	
FLG NRS	List	FLG RS	List
3"	\$645.75	3"	N/A
4"	\$650.55	4"	\$908.94
6"	\$722.10	6"	\$983.91
8"	\$944.79	8"	\$1,255.25
10"	\$1,488.06	10"	\$2,032.65
12"	\$1,734.39	12"	\$2,677.83
14"	\$3,502.50	14"	N/A
16"	\$4,200.99	16"	\$4,405.01
18"	\$4,734.54	18"	\$5,238.98
20"	\$5,222.01	20"	N/A
24"	\$6,652.74	24"	N/A

Mud valves are iron body, resilient seated.  
Comes with a yoke coupling as a standard. Op nut optional

### Flap Valves

F3012	
FLG	List
4"	\$388.59
6"	\$473.39
8"	\$754.97
10"	\$1,024.56
12"	\$1,151.21
14"	\$2,539.95
16"	\$2,940.95
18"	\$3,697.04
20"	\$4,600.70
24"	\$6,003.33
30"	\$12,822.77

Flap valves are iron body  
bronze mounted

### Shear Gate Valves

F3000	
FLG	List
4"	\$569.37
6"	\$654.86
8"	\$866.06
10"	\$1,125.14
12"	\$1,435.55
14"	\$3,815.84
16"	\$4,005.71
18"	\$4,482.09
20"	\$6,241.34
24"	\$7,994.88
30"	\$10,523.36

Shear Valves are iron body bronze mounted.  
Custom length handles priced as follows: Base price \$30 net plus \$6 net per foot

### Sluice Gate Valve

NRS	List
4"	\$2,325.00
6"	\$2,625.00

### Pressure Relief Valves

F1493		F1494	
Floor Type	List	Wall Type	List
4" x 8"	\$139.26	4"	\$225.54
6" x 8"	\$300.32	6"	\$336.36
F1496		Spare covers for F1493	
Wall Pipe	List	4"	List
4" x 12"	\$186.80	6"	\$78.75
6" x 12"	\$209.16	Net each	

## Clow Eccentric Plug Valves

F5412-FLANGED		F5413 - MJ w/ acc		F5414 - Grooved	
		For l/acc pricing use Flg List			
Size	List	Size	List	Size	List
*3"	\$686	3"	\$753	*3"	\$686
4"	\$727	4"	\$794	4"	\$727
* 6"	\$1,246	* 6"	\$1,341	* 6"	\$1,246
* 8"	\$1,737	* 8"	\$1,872	* 8"	\$1,737
* 10"	\$2,570	* 10"	\$2,772	* 10"	\$2,570
* 12"	\$3,373	* 12"	\$3,649	* 12"	\$3,373
* 14"	\$4,947	* 14"	\$5,292		
* 16"	\$6,923	* 16"	\$7,407		
* 18"	\$10,333	* 18"	\$10,891		
* 20"	\$14,956	* 20"	\$15,651		
* 24"	\$26,648	* 24"	\$29,711		

- \* 3" Flg and Grv valves come with a lever as a standard. Op Nuts are available \*
- \* Worm gear recommended on 6" with 75 psi or more and 8" with 60 psi or more, see page 45 for gear adders\*
- \* Worm gear required on 10"-24" - see gear adders on page 45 \*

**Notes:**

- \*On all non-geared valves are furnished with op nuts.
- \*Lever wrench heads are available for 4" - 8" non-geared valves with op nuts.
- \*Lever actuators can only be used for pressure ratings of 100 psi maximum and 25 psi in the reverse flow condition\*
- \*Worm gears are recommended on valves installed in pipelines with high velocity or where water hammer conditions can be caused by sudden valve shut-off.
- Worm gears recommended on all buried service valves.

**Adders:**

Special coating	\$18	Per inch	per coat
Lever Wrench Head	\$43	Part number	M1300490

304 S/S B&N		Chainwheel		Chain Lever	
Size	List	HW Dia	List	List	Part#
4"-6"	\$40	10"	\$331	\$265	A1300653
8"	\$56	18"	\$553	\$272	A1300656
10"-12"	\$78	24"	\$1,017	\$272	A1300656
14"-24"	\$254	30"	\$1,255		
		Chain	\$6 list per foot - Part# T0800062		

\* 316 S/S POA \*

**\*All prices are list each\***

## Clow Eccentric Plug Valves

### Worm Gear Selection Chart for In-Plant (above ground w/ HW) Eccentric Plug Valves

PSI	0 - 25	26 -50	51 - 75	76 - 100	101 - 125	126 - 150	151 - 175		
<b>Size</b>									
<b>4"</b>	A110	A110	A110	A110	A110	A110	A110		
<b>6"</b>	A110	A110	A110	A110	A110	A110	A110		
<b>8"</b>	A110	A110	A110	A110	A110	A110	A110		
<b>10"</b>	A118	A118	A118	A118	A118	A118	A118		
<b>12"</b>	A118	A118	A118	A118	A118	A118	A118		
<b>14"</b>	A924	A924	A924	A924	A924	A930		<b>Gear</b>	<b>List</b>
<b>16"</b>	A1024	A1024	A1024	A1024	A1024	A1630		A110	\$817
<b>18"</b>	A1024	A1024	A1024	A1024	A1030	A1630		A118	\$948
<b>20"</b>	A1024	A1024	A1024	A1030	A1630	A1630		A924	\$2,637
<b>24"</b>	A1024	A1630	A1630	A1630	A1630	A1630		A930	\$2,730
								A1024	\$3,313
								A1030	\$4,347
								A1630	\$9,608

A110 - 1KE/10" Handwheel  
 A118 - 1KE/18" Handwheel  
 A924 - 9KE/24" Handwheel  
 A930 - 9KE/30" Handwheel

A1024 - 10KE2.5/24" Handwheel  
 A1030 - 10KE2.5/30" Handwheel  
 A1630 - 16KE/30" Handwheel

### Worm Gear Selection Chart for Underground (buried w/ op nut) Eccentric Plug Valves

PSI	0 - 25	26 -50	51 - 75	76 - 100	101 - 125	126 - 150	151 - 175		
<b>Size</b>									
<b>4"</b>	U10N	U10N	U10N	U10N	U10N	U10N	U10N		
<b>6"</b>	U10N	U10N	U10N	U10N	U10N	U10N	U10N		
<b>8"</b>	U10N	U10N	U10N	U10N	U10N	U10N	U10N		
<b>10"</b>	U10N	U10N	U10N	U10N	U10N	U10N	U10N		
<b>12"</b>	U10N	U10N	U10N	U10N	U10N	U10N	U10N		
<b>14"</b>	U90N	U90N	U90N	U90N	U90N	U90N			
<b>16"</b>	U90N	U90N	U90N	U100N	U100N	U100N		<b>Gear</b>	<b>List</b>
<b>18"</b>	U100N	U100N	U100N	U100N	U100N	U100N		U10N	\$872
<b>20"</b>	U100N	U100N	U100N	U100N	U100N	U100N		U90N	\$2,676
<b>24"</b>	U100N	U160N	U160N	U160N	U160N	U160N		U100N	\$4,027
								U160N	\$9,747

U10N - 1KE/Op Nut  
 U90N - 9KE/Op Nut

U100N - 10KE2.5/Op Nut  
 U160N - 16KE/Op Nut

**Notes:**

It is important to use **actual pressures** when possible.

In-Plant prices include handwheel and indicator.

Underground prices include op nut and buried service cover.

All In-Plant actuators are sized for no more than 80 lbs pull on the handwheel.

All Underground actuators are sized for input torque of no more than 150 ft-lbs on the op nut.

POA for valves requiring submerged service and special paint.

## Clow Eccentric Plug Valve Parts

---

Size	Cover O'ring	List	Packing	List
3"	T2400780	\$4	T2400084	\$6
4"	T2400711	\$4	T2401080	\$22
6"	T2400712	\$5	T2401072	\$31
8"	T2400936	\$7	T2401072	\$31
10"	T2401077	\$11	T2401078	\$40
12"	T2401079	\$13	T2401078	\$40
14"	T2401102	\$17	T2401107	\$48
16"	T2401103	\$17	T2401107	\$48
18"	T2401104	\$26	T2401107	\$48
20"	T2401105	\$29	T2401107	\$48
24"	T2401106	\$34	T2401108	\$51

All other parts POA

\* All prices are list each \*

## Butterfly Valves

C504 - 4500 & 1450 Series

Handwheel w/ Indicator			Op Nut & Underground Actuator				
Size	Flanged	Wafer	Size	Flanged	Wafer	MJ w/acc	FLGXMJ
4"	\$1,314	\$1,314	4"	\$1,105	\$1,314	\$1,351	
6"	\$1,347	\$1,347	6"	\$1,138	\$1,347	\$1,440	\$1,345
8"	\$1,667	\$1,667	8"	\$1,458	\$1,667	\$1,796	\$1,699
10"	\$2,219	\$2,219	10"	\$2,010	\$2,219	\$2,442	
12"	\$2,617	\$2,617	12"	\$2,408	\$2,617	\$3,150	\$2,900
14"	\$4,149	\$4,149	14"	\$3,940	\$4,149	\$5,432	
16"	\$4,897	\$4,897	16"	\$4,688	\$4,897	\$6,260	\$5,708
18"	\$5,474	\$5,474	18"	\$5,265	\$5,474	\$8,409	
20"	\$7,294	\$7,294	20"	\$7,085	\$7,294	\$10,379	
24"	\$10,044		24"	\$9,835	\$10,044	\$13,303	

\* MJ l/acc use FLG Price \*

W/ Lever		
Size	Flanged	Wafer
4"	\$1,314	\$1,314
6"	\$1,347	\$1,347
8"	\$1,667	\$1,667

\*\* Prices are for Class 150B - Class 250 available POA \*\*

**Notes:**

30" - 48" Available POA

**Chainwheels**

4 - 12	w/ 14" HW	\$628.00	Chain	\$7 per foot
14 - 24	w/ 18" HW	\$824.00	Chain	\$9 per foot

Special Coatings other than standard      \$36 per inch per coat

**\* All prices are list each \***



## Indicator Posts

---

### Style 2945A - Adjustable

Valve Size	Trench Depth	Size B	Trench Depth	Size C	Trench Depth	Size D
4"	31" - 51"	\$2,130	48" - 68"	\$2,130	66" - 86"	\$2,427
6"	35" - 55"	\$2,130	53" - 73"	\$2,130	71" - 91"	\$2,427
8"	40" - 60"	\$2,130	58" - 78"	\$2,130	76" - 96"	\$2,427
10"	45" - 65"	\$2,130	63" - 83"	\$2,130	81" - 101"	\$2,427
12"	49" - 69"	\$2,130	67" - 87"	\$2,130	85" - 105"	\$2,427
14"	54" - 74"	\$2,502	72" - 92"	\$2,502	90" - 110"	\$2,799
16"	54" - 74"	\$2,502	72" - 92"	\$2,502	90" - 110"	\$2,799

**E Post**
**POA**
**Fixed Posts**
**POA**
**Adder:**
**14" HW on vertical post                    \$212**

Must state size of valve when ordering post for 14" and 16" valves

### Indicator Post Extensions

18"	R1810018	\$846
24"	R1810024	\$964
30"	R1810030	\$1,078
36"	R1810036	\$1,210
42"	R1810042	\$1,333
48"	R1810048	\$1,456

Wall Post Fig 641	641-13 Post	\$2,018	\$1,266	Style A - Angle Kit (2"-18" stems)
			\$1,380	Style B- Angle Kit (2"-24" stems")

Indicator Post Wrench	2945	I1800441	\$80	2925	\$80
Window Glass		T1800443			

**\* All prices are list each \***

## INDICATOR POST PARTS LIST

<u>ITEM</u>	<u>PART #</u>	<u>DESCRIPTION</u>	<u>LIST PRICE</u>
P-1	446127P	LOCKING WRENCH	\$80
P-2	3024872 (4-14")	OPERATING NUT	\$301
P-3	442639P	RETAINER O-RING #226	\$12
P-4	3020913	TOP SECTION	\$400
P-5	441980P	WINDOW GLASS (T1800443)	\$12
P-6	443370P	OPEN TARGET	\$24
P-7	443371P	SHUT TARGET	\$24
P-8	N/A	TARGET CARRIER ASSEMBLY comes with P6 + P7	\$347
	3005802 (4-14")	TARGET CARRIER NUT	\$187
	443347P	TARGET CARRIER PLATE	\$30
	440736P	CLAMP TARGET RETAINER	\$27
	444171P	#10-24 X 1/2" PAN HEAD	\$3
	442411P	10-24 HEX NUT	\$3
P-9	443476P	1/2" NPT PIPE PLUG	\$5
P10	440254P	3/8" EYEBOLT #23	\$54
P-11A	444303P	(ADJUSTABLE POST)	\$5
		3/8"-16X1 1/2" HEX CAPSCREW (FIXED POST F,G,& H)	\$5
P-11F	444306P		\$5
P-12 B POST	228130B	STEM 1" SQ 66.25"	\$265
P-12 C POST	221830C	STEM 1" SQ - 84.25"	\$317
P-12 D POST	221830D	STEM 1" SQ - 102.25"	\$360
P-12 All Others	N/A	STEM 1" SQ	POA
P-13	318035&	CRANE COUPLING (not drilled)	\$80
P-14	442190P	COTTER PIN	\$8
P-15	444342P	3/4" HEX HEAD SCREW	\$12
P-16	3004774	TELESCOPING BARREL	\$480
P-17 B POST	3004472	STANDPIPE SECTION D.I ADJ.	\$322
P-17 C POST	3004482	STANDPIPE SECTION D.I ADJ.	\$349
P-17 D POST	3004492	STANDPIPE SECTION D.I ADJ.	\$375
P-18	3180402	BASE FLANGE	\$320
P-19	444355P	3/4" HEX HEAD SCREW	\$12
P-20	444357P	5/8" X 2 1/4" HEX CAPSCREW	\$2
P-21	442484P	5/8" HEX NUT	\$2
P-22	N/A	(FIXED POST F,G & H)	POA
P-23	3004762	SPACER SLEEVE (F,G, H)	\$94

\* All prices are list each \*

## Clow Wet Barrel Fire Hydrants

Conforms to AWWA C503, Standard AWWA Painting

(Standard paint is School Bus Yellow - Other colors available, please specify at time of ordering.)

Clow Model #	L.B.I. Model #	Series	No & Size of Outlets	List Price	Approximate Body Only Weight
5-B	611	East Bay Type	1-2 1/2 & 1-4/4 1/2	POA	215
850BWS		Honolulu Standard	1-2 1/2 & 1-4 1/2	POA	115
76		MGs 70	2-2 1/2 & 1-4/4 1/2	POA	215
950		Ranger UL	1-2 1/2 & 1-4/4 1/2	POA	205
960		Ranger UL	2-2 1/2 & 1-4/4 1/2	POA	230
850	425	800 Series UL	1-2 1/2 & 1-4/4 1/2	POA	115
865		800 Series	1-2 1/2 & 2-4/4 1/2	POA	150
860	430	800 Series UL	2-2 1/2 & 1-4/4 1/2	POA	120
810		6" Threaded Inlet	1-2 1/2 & 1-4/4 1/2	POA	73
2010			1-2 1/2 & 1-4w/6"IPS	POA	68
2050			1-2 1/2 & 1-4/4 1/2	POA	98
2060			2-2 1/2 & 1-4/4 1/2	POA	115
2065			1-2 1/2 & 1-4/4 1/2	POA	167
74		MGs 70	2-2 1/2	POA	148
75		MGs 70	1-2 1/2 & 1-4/4 1/2	POA	192
92		MGs Low Sil	2-2 1/2 & 1-4/4 1/2	POA	300
94		MGs Low Sil	1-2 1/2 & 1-4/4 1/2	POA	270
985			1-2 1/2 & 2-4 1/2	POA	

### Notes:

As a standard hydrants are finished with plastic pro caps. Cast Iron caps are available upon request at no extra charge. For bronze caps consult factory.

Consult factory for net adder on 2 1/2 dome tapped plug

Consult factory on Clow 400A Break Off Check Valve

## Hydrant Extensions (Machined and Drilled)

<u>Size</u>	<u>Part #</u>	<u>Price</u>	<u>Weight</u>	<u>Size</u>	<u>Part #</u>	<u>Price</u>	<u>Weight</u>
6 X 4	400304XX	POA	43	6 X 18	400318XX	POA	85
6 x 6	400306XX	POA	49	6 X 20	400320XX	POA	91
6 X 6	SLOTTED	POA	50	6 X 22	400322XX	POA	97
6 X 8	400308XX	POA	55	6 X 24	400324XX	POA	103
6 X 10	400310XX	POA	61	6 X 26	400326XX	POA	109
6 X 12	400312XX	POA	67	6 X 28	400328XX	POA	115
6 X 14	400314XX	POA	73	6 X 30	400330XX	POA	121
6 X 15	400315XX	POA	76	6 X 32	400328XX	POA	127
6 X 16	400316XX	POA	79	6 X 36	400336XX	POA	139

### EPOXY LINING POA

*All extensions available with cored grooves, no groove or machine groove.*

## HYDRANT BURYS

<u>Size</u>	<u>Tyton (DI)</u>		<u>MJ (DI)</u>		<u>Weight</u>	<u>Flange</u>		<u>Weight</u>
	<u>Part#</u>	<u>List Price</u>	<u>Part#</u>	<u>List Price</u>		<u>Part#</u>	<u>List Price</u>	
6 X 12								
6 x 16			400116XX10	POA	84			
6 X 22								
6 X 24	400124XX20	POA	400124XX10	POA	93			
6 X 30	400130XX20	POA	400130XX10	POA	98	400130XX04	POA	151
6 X 36	400136XX20	POA	400136XX10	POA	107	400136XX04	POA	178
6 X 42	400142XX20	POA	400142XX10	POA	122	400142XX04	POA	191
6 X 48	400148XX20	POA	400148XX10	POA	135	400148XX04	POA	202
6 X 54	400154XX20	POA	400154XX10	POA	161			

### MJ (CI)

<u>Size</u>	<u>Part#</u>		
6 x 30	400130XX10	POA	151
6 x 36	400136XX10	POA	169
6 x 42	400142XX10	POA	187
6 x 48	400148XX10	POA	205

Epoxy lining POA

6" MJ Accessories POA

Asphalt Varnish painted per AWWA Specs.

"XX" Drill Patterns	01 6 Hole	05 6 Hole Slotted
Extensions Only	02 8 Hole	06 6 Hole X 8 Hole
	03 6 Hole San Diego	

## ACCESSORIES, ADDERS AND TOOLS

		<u>PART #</u>
Bolts, Nuts and Gaskets, per set, 6 hole	\$26	00010100000000
Bolts, Nuts and Gaskets, per set, 6 hole galvanized	\$32	000103A0000000
Bolts, Nuts and Gaskets, per set, 8 hole	\$38	00010150000000
5/8 x 3 Break-off Bolts, Nuts and Gaskets, 6 hole set	\$48	00010200000000
5/8 x 3 Break-off Bolts, Nuts and Gaskets, 8 hole set	\$64	00010250000000
5/8 x 3 Hot Dipped Galvanized Break-off Bolts, Nuts and Gaskets, 6 hole sets	\$87	00010300000000
6 x 11 Hydrant Gasket	\$13	1/8" T1630260 1/16" T1630258
Spanner or Operating Wrench (5 hole)		B1630137
Adjustable Spanner w/ Handle		(Head) F1630138 (Handle) M1630140
Epoxy Coating (Fusion Method)		
* 2 1/2" Outlet Wrenches for all threaded in nozzle hyd	\$160	T1630410
* 4-4 1/2" Out. Wrenches for all threaded in nozzle hyd.	\$192	T1630413 - 4"
	\$192	T1630412 - 4 1/2"
2 1/2-4-4 1/2" Sleeve Wrench for 800,900 & 2000 Series	\$111	T1630546
2 1/2 - 4/4 1/2" Sleeve Wrench for 500, 70, 90, #5	\$111	T1630445
(*) State size and model number for all outlet wrenches.		

## PRO CAP ASSEMBLIES W/CHAIN & GASKET

<u>Description</u>	<u>Part #</u>	<u>Price</u>
East Bay 2 1/2"		
Small Nut Cast Iron	A1630188	\$77
1 1/2" Nut Cast Iron	A1630198	\$77
Large Nut Cast Iron	A1630143	\$77

Fits: #5, 500 Series, 600 Series, & 900 Series

East Bay 4"		
Small Nut Cast Iron	A1630192	\$124
1 1/2" Nut Cast Iron	A1630200	\$124
Large Nut Cast Iron	A1630145	\$124

Fits: 500 Series

East Bay 4X (4")		
Small Nut Cast Iron	A1630196	\$124
1 1/2" Nut Cast Iron	A1630141	\$124
Large Nut Cast Iron	A1630149	\$124

Fits: #5, 600 Series, & 900 Series

East Bay 4 1/2"		
Small Nut Cast Iron	A1630194	\$168
Large Nut Cast Iron	A1630147	\$168
East Bay Spec.	A1630743	\$168

Fits: #5, 500 Series, 600 Series, & 900 Series

### Operating Nut Variations

1 1/2" Cast Iron	T1630518	\$16
5/16" x 3/4" Capscrew	T1630519	\$2
Large Nut Cast Iron	T1630462	\$16

<u>Description</u>	<u>Part #</u>	<u>Price</u>
Regular 2 1/2"		
Small Nut Cast Iron	A1630172	\$77
1 1/2" Nut Cast Iron	A1630178	\$77
Large Nut Cast Iron	A1630183	\$77
Small Nut Plastic	41630173	\$63
1 1/2" Nut Plastic	A1630179	\$63
Large Nut Plastic	A1630184	\$63
Small Nut Bronze	A1630724	\$128
1 1/2" Nut Bronze	A1630750	\$128
Large Nut Bronze	A1630754	\$128
Reg. 3" Sm. Nut Cast Iron	A1630174	\$128

Fits: Airport Hyd., 70 & 90 Series, 800 & 2000 Series

Regular 4"		
Small Nut Cast Iron	A1630175	\$124
1 1/2" Nut Cast Iron	A1630180	\$124
Large Nut Cast Iron	A1630185	\$124
Small Nut Plastic	A1630176	\$78
1 1/2" Nut Plastic	A1630181	\$78
Large Nut Plastic	A1630186	\$78
Small Nut Bronze	A1630725	\$208
1 1/2" Nut Bronze	A1630751	\$208
Large Nut Bronze	A1630755	\$208

Fits: Airport Hyd., 70 & 90 Series, 800 & 2000 Series

Regular 4 1/2"		
Small Nut Cast Iron	A1630177	\$168
1 1/2" Nut Cast Iron	A1630182	\$168
Large Nut Cast Iron	A1630187	\$168
1 1/8" Plastic	A1630739	\$106
Small Nut Bronze	A1630726	\$281
1 1/2" Nut Bronze	A1630752	\$281
Large Nut Bronze	A1630756	\$281

& 2000 Series

Chain Ass'y for pro caps	A1630711	\$16
2 1/2" Cap Gasket CI	T1630156	\$5
4" Cap Gasket	T1630160	\$5
4 1/2" Cap Gasket	T1630162	\$5

## 800 Series Hydrant Parts - New Style

<u>Description</u>		<u>Part #</u>	<u>Price</u>
Stem:	2 1/2	F1630009	\$154
	4 - 4 1/2	F1630010	\$169
Carrier:	2 1/2	F1630748	\$75
	4 - 4 1/2	F1630749	\$100
Outlet:	2 1/2	F1630002	\$96
	4	F1630003	\$160
	4 - 4 1/2	F1630004	\$176
Retainer:	2 1/2	F1630005	\$14
	4 1/2	F1630006	\$40
Valve Rubber:	2 1/2	T1630012	\$16
	4 - 4 1/2	T1630212	\$35
O-Ring (Outlet):	2 1/2	T1630275	\$3
	4 - 4 1/2	T1630276	\$13
O-Ring (Stem):	2 per stem	T1630269	\$6
SLOTTED NUT		F1630076	\$21
Cotter Pin		T1630280	\$6
O-Ring (Carrier)		T1630684	\$6
Stem Sleeve		F1630001	\$112
O-Ring (Stem Sleeve)		T1630278	\$3
Stem Carrier Assembly	2 1/2	A1630700	\$224
Stem Carrier Assembly	4 & 4 1/2	A1630701	\$361

Stem & Carrier Assembly consists of the following parts:  
stems, carrier, valve rubber, retainer, carrier o'ring, slotted nut and cotter pin

## Series 70 and #5 Hydrant Parts

(#90 Series - #900 Ranger before 1990)

<u>Description</u>		<u>Part Number</u>	<u>Price</u>
Stem	(#70 & 2 1/2 #5 Upper)	F1630027	\$225
	(90 & 4 - 4 1/2 #5 Lower)	F1630028	\$225
	2 1/2 (#900)	F1630074	\$225
	4 - 4 1/2 (#900)	F1630075	\$225
Carrier:	2 1/2	F1630072	\$109
	4 - 4 1/2	F1630073	\$154
Outlet:	3	F1630029	\$241
	2 1/2	FI 630067	\$192
	4	F1630068	\$401
	4 1/2	F1630069	\$401
Retainer:	2 1/2	F1630070	\$26
	4 - 4 1/2	F1630006	\$67
Valve Rubber:	2 1/2	T1630077	\$21
	4 - 4 1/2	T1630212	\$35
Outlet Gasket:	2 1/2	T1630080	\$3
(O/S)	4 1/2	T1630081	\$10
Outlet O-Ring	2 1/2	T1630760	\$10
(New Style)	4 - 4 1/2	T1630761	\$19
O-Ring (Stem-2 per stem)		T1630269	\$6
O-Ring (Carrier)		T1630270	\$6
Slotted Nut		F1630076	\$21
Cotter Pin:		T1630280	\$6
Stem	Sleeve: #70, #90, #5	F1630023	\$237
	2 1/2 (#900)	F1630065	\$187
	4 - 4 1/2 (#900 )	F1630066	\$187
Stem Sleeve Gasket (#900 only)		T1630079	\$3
Stem Sleeve O-Ring (#70, #90, & #5..)		T1630274	\$4
Stem & Carrier Ass'y: #5, & #70 2 1/2		A1630704	\$390
	#5 & #90 4 & 4 1/2	A1630707	\$507
	#5 East Bay Spec. 2	A1630714	\$390
	#5 East Bay Spec. 4	A1630715	\$507
	#5 Orange Spec. 2 1/2	A1630720	\$390
	#5 Orange Spec. 4 & 4	A1630721	\$507
	#70 4 & 4 1/2	A1630705	\$507
	#90 2 1/2	A1630706	\$390
	#900 2 1/2 Upper	A1630702	\$390
	#900 4 & 4 1/2	A1630703	\$507



## 2000 SERIES PARTS LIST - BRONZE FIRE HYDRANT

<u>Catalog Number</u>	<u>Description</u>		<u>Part Number</u>	<u>Price</u>
1	Body	2 1/2 x 4/4 1/2 -#2050	F1630820	P.O.A.
		2 1/2 x 2 1/2 4/4 1/2 - #2060	F1630821	P.O.A.
		2 1/2 x 4 x 6 IPS - #2010	F1630823	P.O.A.
		4/4 1/2 x 4/4 1/2 x 2 1/2 - #2065	F1630824	P.O.A.
2	Stem Sleeve		F1630001	\$112
3	Stem		F1630805	\$128
4	Outlet	2 1/2	F1630002	\$96
		4	F1630003	\$160
		4 1/2	F1630004	\$176
5	Carrier	2 1/2	F1630810	\$48
		4-4 1/2	F1630811	\$64
6	Retainer Nut	2 1/2	F1630005	\$26
		4-4 1/2	F1630006	\$48
7	Valve Rubber	2 1/2	T1630012	\$16
		4-4 1/2	T1630212	\$35
8	Cotter Pin	2 1/2-4/4 1/2	T1630280	\$5
9	Slotted Nut	2 1/2 -4/4 1/2	F1630076	\$15
11	O-Ring (Outlet)	2 1/2	T1630275	\$3
		4-4 1/2	T1630276	\$13
13	O-Ring (Stem)	2 1/2 - 4 -		
		4 1/2	T1630269	\$6
14	O-Ring (Stem Sleeve)		T1630278	\$3
17	Stem Nut 2 1/2-4-4 1/2	2 1/2 - 4 -		
		4 1/2	F1630809	\$3
18	Set Screw	1/4-20 x 3/8 18-8 S.S.	T1630819	\$6
	Stem & Carrier Assembly	2 1/2	A1630744	\$190
		4 - 4 1/2	A1630745	\$405

**#900 Ranger 1990 & Later**

<u>Description</u>		<u>Part Number</u>	<u>Price</u>
Stem	2 1/2 (#900)	F1630909	\$225
	4 - 4 1/2 (#900)	F1630910	\$225
Carrier	2 1/2	F1630748	\$75
	4 - 4 1/2	F1630749	\$100
Outlet:	2 1/2 (#900)	F1630002	\$96
	4 (#900)	F1630003	\$160
	4 1/2 (#900)	F1630004	\$176
Retainer:	2 1/2	F1630005	\$14
	4 - 4 1/2	F1630006	\$40
Valve Rubber:	2 1/2	T1630012	\$16
	4 - 4 1/2	T1630212	\$35
Outlet Ring	2 1/2	T1630275	\$4
	4 - 4 1/2	T1630276	\$13
0-Ring (Stem-2 per stem)		T1630269	\$6
0-Ring (Carrier)		T1630684	\$6
Slotted Nut		F1630076	\$21
Cotter Pin:	(#900)	T1630280	\$6
Stem Sleeve:	2 1/2 (#900)	F1630001	\$112
	4 - 4 1/2 (#900)	F1630901	\$257
Stem Sleeve Oring	(#900)	T1630278	\$3
Stem & Carrier Assy:	#900 2 1/2	A1630746	\$390
	#900 4 & 4 1/2	A1630747	\$507

## Wet Barrel Notes:

All parts for the following list of wet barrel hydrants are subject to availability - consult factory for stock.

Old style 70 Series (Before 1972)

#500 W

#600 Series - Vanguard (1974-1992)

**WEIGHTS OF VARIOUS FIRE HYDRANTS**

2 Hose/Steamer 6" MJ Inlet with Accessories

	Medallion		Eddy	
	<u>4 1/2"</u>	<u>5 1/4"</u>	<u>4 1/4"</u>	<u>5 1/4"</u>
2'6"	424#	432#	325#	334#
3'0"	442#	448#	360#	445#
3'6"	460#	471#	418#	485#
4'0"	478#	492#	430#	494#
4'6"	496#	516#	450#	500#
5'0"	514#	558#	468#	515#
5'6"	532#	588#	485#	543#
6'0"	550#	592#	500#	559#
6'6"	568#	628#	515#	567#
7'0"	586#	668#	530#	575#
7'6"	604#	685#	548#	590#
8'0"	622#	715#	560#	605#

**WEIGHTS OF RESILIENT WEDGE VALVES 2639/2640**

	<b>F6100 MJ <u>W/Acc</u></b>	<b>F6100 MJ <u>L/Acc</u></b>	<b>F6102 FLG <u>NRS</u></b>	<b>F6106 FlgxMJ <u>W/Acc</u></b>	<b>F6106 FlgxMJ <u>L/Acc</u></b>
2"	47#	39#	39#	-	
2 1/2"	-	-	51#	-	
3"	74#	63#	62#	67#	61#
4"	103#	87#	87#	94#	86#
6"	158#	136#	134#	151#	140#
8"	240#	206#	212#	224#	210#
10"	392#	352#	369#	378#	358#
12"	522#	480#	523#	457#	436#
14"	625#	625#	650#	1000#	1000#
16"	701#	701#	720#	700#	700#
18"	2000#	2000#	2000#	2000#	2000#
20"	2130#	2130#	2130#	2130#	2130#
24"	3030#	3030#	3030#	3030#	3030#

	<b>F6110 PVC <u>W/Gasket</u></b>	<b>F6114 MJ Tap <u>W/Acc</u></b>	<b>F6114 MJ Tap <u>L/Acc</u></b>	<b>F6112 P0 for <u>CI W/Acc</u></b>	<b>F6112 P0 for <u>CI L/Acc</u></b>
2"	37#				
2 1/2"	47#				
3"	57#				
4"	83#	97#	89#	88#	87#
6"	134#	153#	142#	138#	135#
8"	219#	228#	214#	214#	211#
10"		398#	378#	360#	355#
12"		544#	523#	505#	496#
14"		1046#	1000#		
16"					645#

	<b>F6113 Flg x P0 <u>W/Gasket</u></b>	<b>F6111 Cutting In <u>W/Acc</u></b>	<b>F6111 Cutting In <u>L/Acc</u></b>	<b>F6103 <u>Threaded</u></b>	<b>F6136 FLG <u>OS&amp;Y</u></b>
2"	-	--	33#		
2 1/2"	-	--	44#	44#	55#
3"	-	--	50#	50#	67#
4"	88#	87#	71#		88#
6"	138#	136#	114#		138#
8"	214#	206#	178#		214#
10"	360#	352#	312#		360#
12"	505#	480#	438#		505#
14"					625#

**WEIGHTS OF DOUBLE DISC NRS GATE VALVES**

	<b>F5065</b>		<b>F5067</b>	<b>F5070</b>	<b>F5066</b>		<b>F5093</b>	
	<b>MJ W/Acc</b>	<b>MJ L/Acc</b>	<b>MCJ W/Acc</b>	<b>FLG</b>	<b>FLG x MJ W/Acc</b>	<b>FLG x MJ L/Acc</b>	<b>MJ TAP W/Acc</b>	<b>MJ TAP L/Acc.</b>
2"	38#	32#		35#			33#	30#
2 1/2"				40#				
3"	64#	52#	50#	59#	53#			
4"	106#	90#	90#	90#	92#	84#	101#	93#
6"	176#	154#	167#	150#	145#	134#	175#	164#
8"	266#	238#	250#	243#	244#	230#	270#	256#
10"	415#	375#	375#	405#	393#	373#	426#	406#
12"	522#	480#	514#	535#	546#	525#	563#	542#
14" *	863#	765#		876#	802#		904#	855#
16" *	1237#	1119#		1130#	1158#		1217#	1158#
18"	1494#	1360#		1460#	1410#		1437#	1370#
20"	1988#	1830#		1980#	1980#		2063#	1984#
24" *	2646#	2430#		2730#	2880#	2838#	2730#	
30" *	5023#	4725#		4784#	4754#			
36" *	8246#	7800#		7560#	7440#			

\* Weights are for valves without gearing or bypass

	<b>F5080 Tyton For Cl</b>	<b>F5085 Push-On For PVC</b>	<b>F5082 PVC Tap</b>	<b>F5211 Push-On Tap</b>	<b>F5300 Extra Heavy Pressure</b>
					136#
4"	93#	82#	100#	93#	218#
6"	178#	156#	185#	185#	328#
8"	258#	266#		285#	
10"	430#	390#			594#
12"	576#				712#
					1052#
					1496#
					1884#
					2250#
	<b><u>F5072 - OS&amp;Y</u></b>				
14"	1075#	24"	2835#		
16"	1380#	30"	5000#		
18"	1560#	36"	9000#		
20"	2180#				

**WEIGHTS OF MUD VALVES**

	<b>4"</b>	<b>6"</b>	<b>8"</b>	<b>10"</b>	<b>12"</b>	<b>14"</b>	<b>16"</b>
Flange, N.R.S.	35#	53#	66#	95#	153#	252#	265#
Flange, Rising	38#	52#	64#	92#	150#	249#	260#
	<b>18"</b>	<b>20"</b>					
Flange, N.R.S.	302#	422#					
Flange, Rising	297#	422#					

**WEIGHTS OF ECCENTRIC PLUG VALVES**

	<b>3"</b>	<b>4"</b>	<b>6"</b>	<b>8"</b>	<b>10"</b>	<b>12"</b>	<b>14"</b>
Flange No gear	20#	68#	110#	176#			
MJ l/acc no gear	21#	60#	108#				
MJ w/acc no gear	32#	76#	132#	212#			
MJ W/Acc with Gear			170#	263#	484#	597#	839#
MJ L/Acc with Gear			148#	235#	448#	555#	750#
Flange with Gear		108#	150#	218#	310#	415#	735#
	<b>16"</b>	<b>18"</b>	<b>20"</b>	<b>24"</b>			
Flange with Gear	900#	1150#	1420#	2100#			
MJ L/Acc Gear	950#	1150#	1420#	2200#			
MJ W/Acc Gear	1059#	1277#	1483#	2410#			

**WEIGHTS OF SHEAR GATES**

	<b>4"</b>	<b>6"</b>	<b>8"</b>	<b>10"</b>	<b>12"</b>	<b>14"</b>	<b>16"</b>
Flange End	37#	61#	90#	138#	174#	246#	320#
Standard Frame	30#	41#	63#	83#	130#	144#	202#
	<b>18"</b>	<b>20"</b>	<b>24"</b>	<b>30"</b>			
Flange End	362#	500#	672#	980#			
Standard Frame	190#	328#	492#	718#			

**WEIGHTS OF FLAP VALVES**

	<b>4"</b>	<b>6"</b>	<b>8"</b>	<b>10"</b>	<b>12"</b>	<b>14"</b>	<b>16"</b>
Flange End	22#	50#	72#	95#	149#	182#	274#
	<b>18"</b>	<b>20"</b>	<b>24"</b>	<b>30"</b>			
Flange End	250#	345#	468#	610#			

**WEIGHTS OF AWWA SWING CHECK VALVES**

	2"	2 1/2"	3"	4"	6"	8"	10"
FLG	35#	50#	61#	119#	190#	347#	566#
FLG L/S & W/L	39#	54#	65#	128#	201#	370#	600#
	12"	14"	16"	18"	20"	24"	
FLG	774#	1080#	1590#	1890#	2450#	3310#	
FLG L/S & W/L	812#	1150#	1630#	1835#	2470#	3415#	

**WEIGHTS OF CUSHION CHECK VALVES**

	3"	4"	6"	8"	10"	12"
FLG	92#	157#	226#	402#	625#	876#

**WEIGHTS OF BUTTERFLY VALVES**

	4"	6"	8"	10"	12"	14"	16"
FLG	80#	100#	150#	242#	310#	510#	595#
WAFER	60#	70#	100#	155#	190#	405#	465#
MJ	100#	135#	185#	285#	335#	580#	670#
	18"	20"	24"				
FLG	760#	885#	1190#				
WAFER	595#	675#					
MJ	920#	1065#	1475#				



<u>SIZE</u>	<u>VALVES/ LAYER</u>	<u># OF LAYERS</u>	<u># OF VALVES/ PALLET</u>
2"	20	5	100
3"	20	5	100
4"	10	5	50
6"	8	4	32
8"	5	3	15
10"	4	2	8
12"	3	2	6