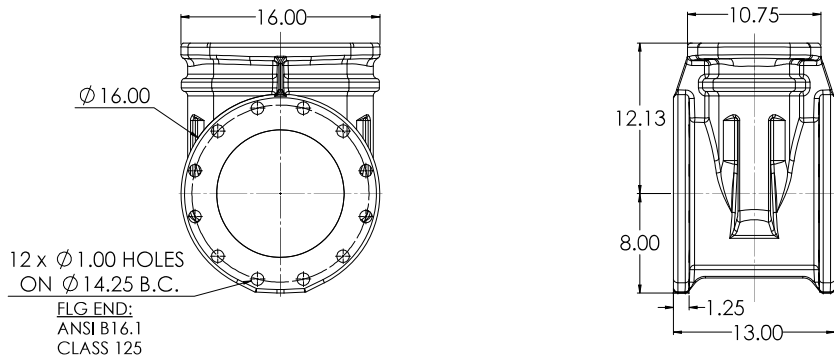
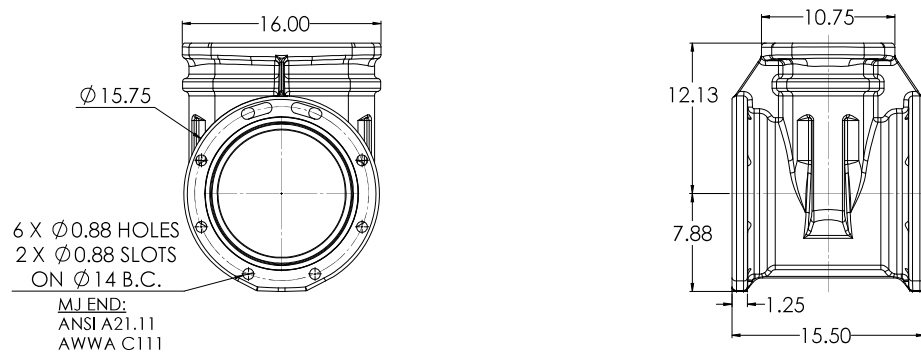


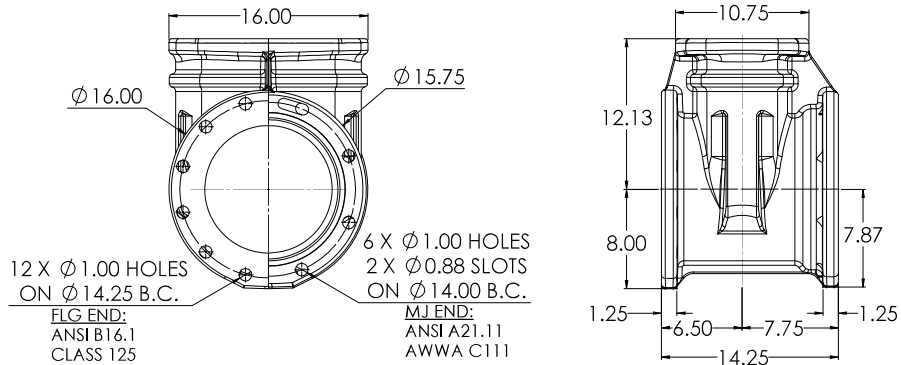
**10" C509 FLG X FLG**



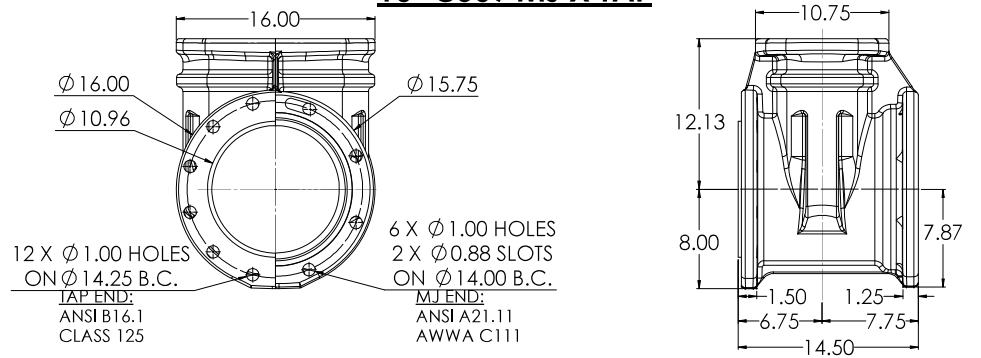
**10" C509 MJ X MJ**



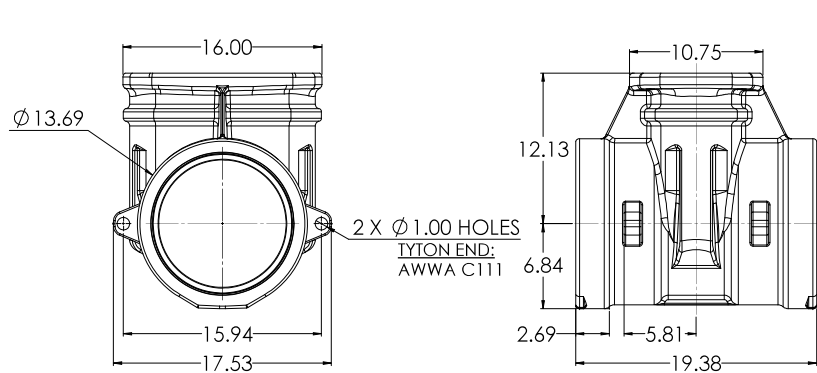
**10" C509 FLG X MJ**



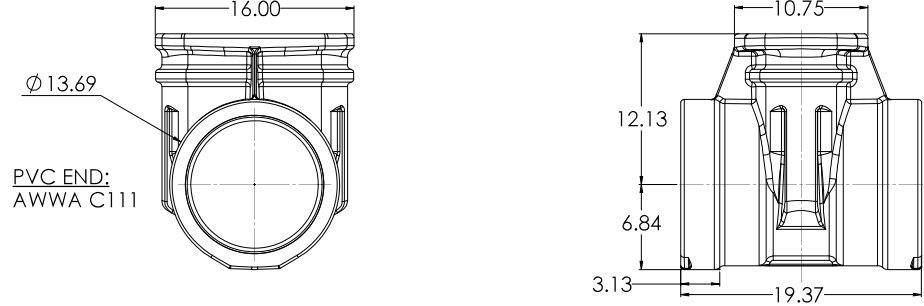
**10" C509 MJ X TAP**



**10" C509 TYTON X TYTON**

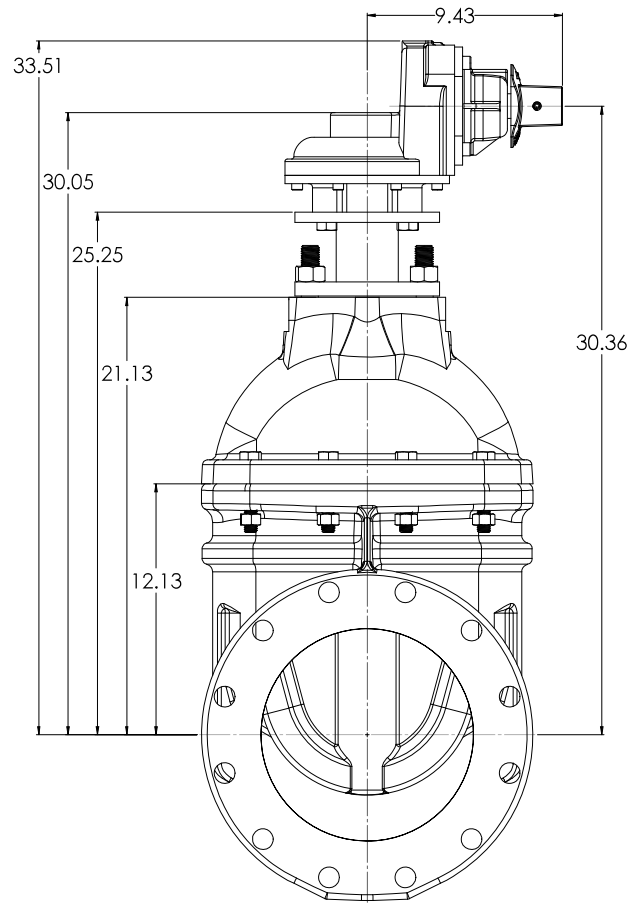


**10" C509 PVC X PVC**

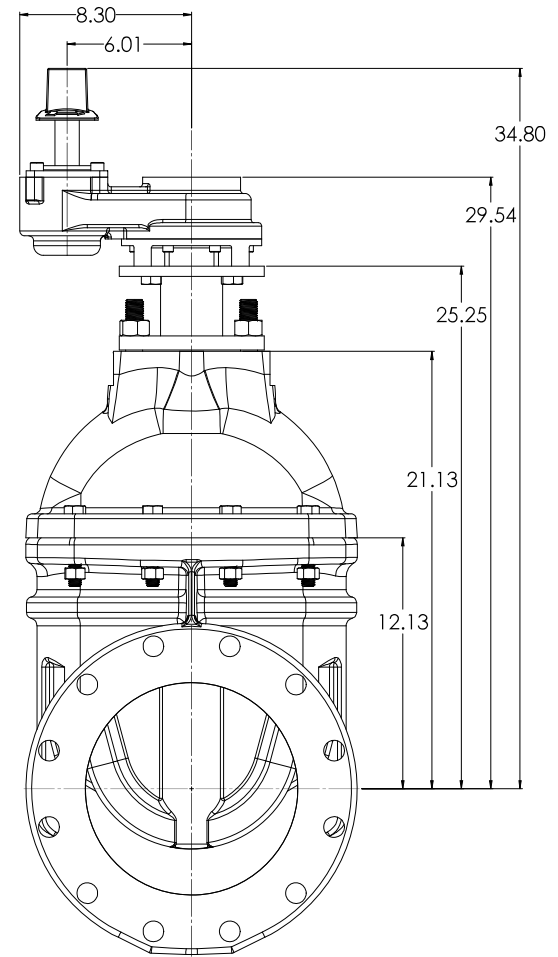


COMPANY: <b>AWWA</b> ADDRESS: <b>5000 W. 12th Street, Denver, CO 80202</b> PHONE: <b>303.440.2400</b> FAX: <b>303.440.2401</b> WWW: <b>www.awwa.com</b>	PROJECT: <b>10" C509 NRS GEARED RESILIENT WEDGE GATE VALVE</b> LBS: <b>1:5</b> SHEET: <b>7</b>	DATE: <b>12/2/2020</b> DRAWN BY: <b>CW</b> CHECKED BY: <b>SP</b> APPROVED BY: <b>SP</b>	SCALE: <b>1:5</b> SHEET NO: <b>7</b> TOTAL SHEETS: <b>7</b> PROJECT NO: <b>2018-SP2</b>
---	--	--	--

**BEVEL GEAR WITH  
OPERATING NUT**

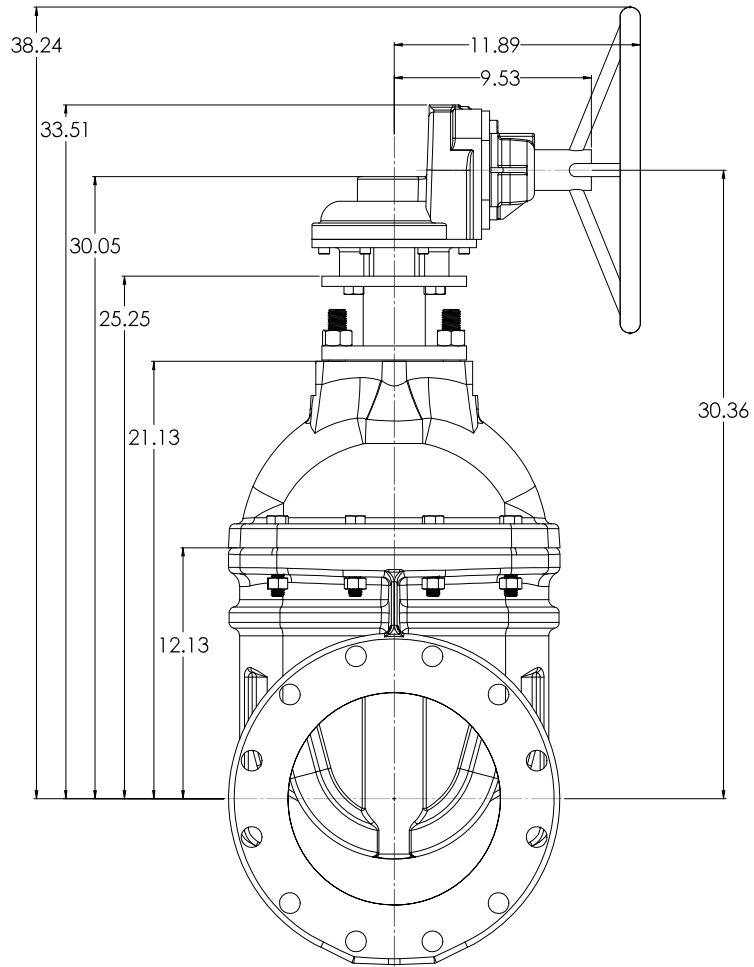


**SPUR GEAR WITH  
OPERATING NUT**

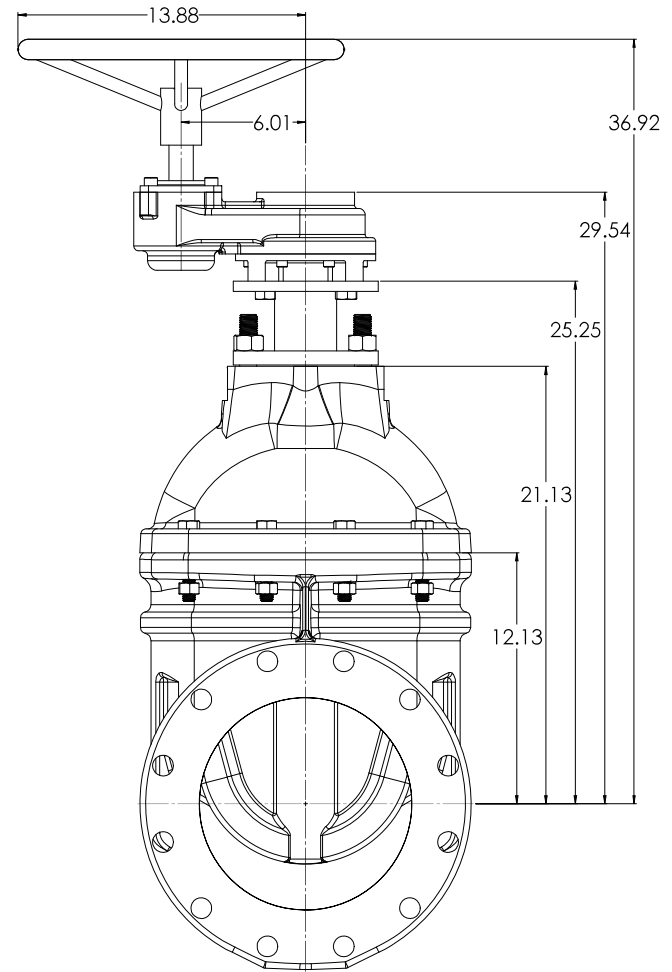


COMPANY: <b>SOLO WORKS</b> ADDRESS: 10000 W. 10th Ave., Suite 100, Golden, CO 80401 PHONE: (303) 440-1000 FAX: (303) 440-1001 WWW: www.soloworks.com		PROJECT: <b>10' C509 NRS GEARED RESILIENT WEDGE GATE VALVE</b> DRAWING NO: <b>10' C509 NRS GEARED RESILIENT WEDGE GATE VALVE</b> SCALE: <b>1:5</b> DATE: <b>12/2/2009</b>		SHEET NO: <b>2</b> TOTAL SHEETS: <b>7</b>	APPROVED: <b>D</b> CHECKED: <b>7</b>
--	--	--	--	--	---

**BEVEL GEAR WITH  
HANDWHEEL**

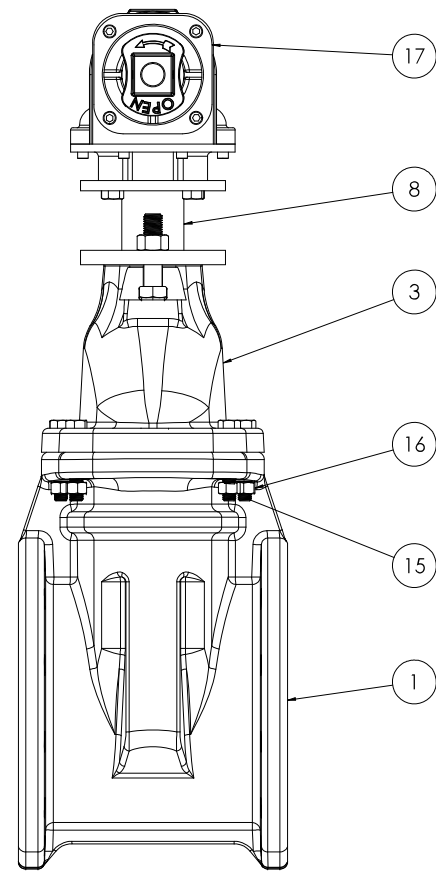
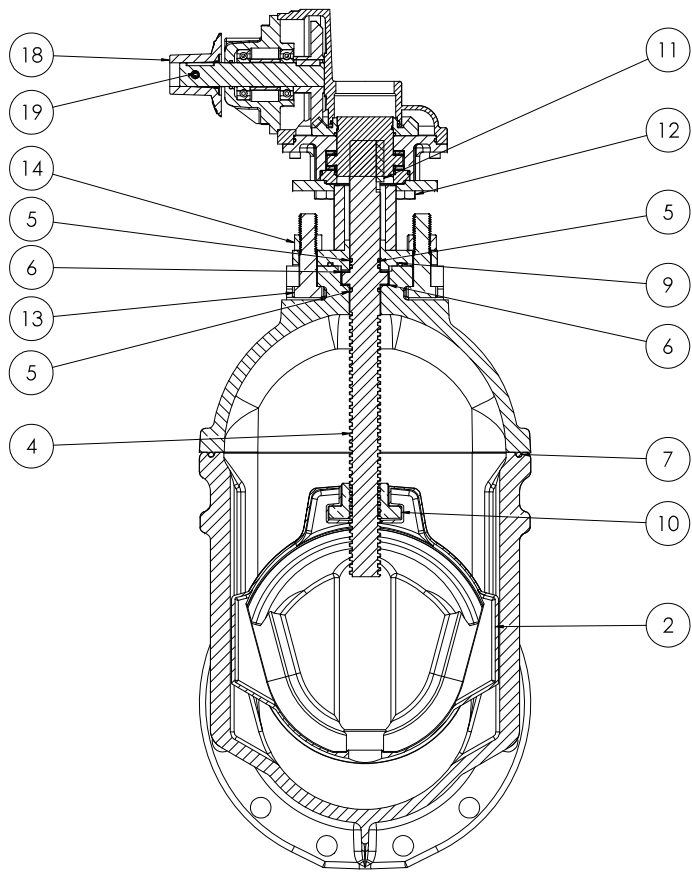


**SPUR GEAR WITH  
HANDWHEEL**



COMPANY: <b>SOLO WORKS</b> ADDRESS: 10000 W. 10th Ave., Suite 100, Golden, CO 80401 PHONE: (303) 440-1000 FAX: (303) 440-1001 WWW: www.soloworks.com		PROJECT: <b>10' C509 NRS GEARED RESILIENT WEDGE GATE VALVE</b> LBS: <b>1500</b> T: <b>1:5</b>		SHEET: <b>3</b> TOTAL: <b>7</b> DATE: <b>12/2/2009</b> DWG: <b>12/2/2009</b> DESIGNED BY: <b>SW</b> CHECKED BY: <b>SW</b> APPROVED BY: <b>SW</b>	
PROJECT NO: <b>10' C509 NRS GEARED RESILIENT WEDGE GATE VALVE</b> PROJECT LOCATION: <b>10' C509 NRS GEARED RESILIENT WEDGE GATE VALVE</b> PROJECT DATE: <b>12/2/2009</b> PROJECT STATUS: <b>10' C509 NRS GEARED RESILIENT WEDGE GATE VALVE</b>		PROJECT NO: <b>10' C509 NRS GEARED RESILIENT WEDGE GATE VALVE</b> PROJECT LOCATION: <b>10' C509 NRS GEARED RESILIENT WEDGE GATE VALVE</b> PROJECT DATE: <b>12/2/2009</b> PROJECT STATUS: <b>10' C509 NRS GEARED RESILIENT WEDGE GATE VALVE</b>			





COMPANY: <b>SOLEWORKS</b> ADDRESS: 10000 W. 10th Ave., Suite 100 DENVER, CO 80202 PHONE: (303) 751-1000 FAX: (303) 751-1001 WWW: www.soleworks.com		PROJECT: <b>10' C509 NRS GEARED RESILIENT WEDGE GATE VALVE</b> DRAWING NO: <b>10' C509 NRS GEARED RESILIENT WEDGE GATE VALVE</b> DATE: <b>12/22/2020</b>		SCALE: <b>1:5</b> SHEET NO: <b>7</b> OF <b>7</b>	
DRAWN BY: <b>AW</b> CHECKED BY: <b>AW</b> DATE: <b>12/22/2020</b>	PROJECT NO: <b>10' C509 NRS GEARED RESILIENT WEDGE GATE VALVE</b> DRAWING NO: <b>10' C509 NRS GEARED RESILIENT WEDGE GATE VALVE</b> DATE: <b>12/22/2020</b>	WEIGHT: <b>LBS</b> MATERIAL: <b>10' C509 NRS GEARED RESILIENT WEDGE GATE VALVE</b>	MANUFACTURER: <b>SOLEWORKS</b> MODEL: <b>10' C509 NRS GEARED RESILIENT WEDGE GATE VALVE</b>	PROJECT NO: <b>10' C509 NRS GEARED RESILIENT WEDGE GATE VALVE</b> DRAWING NO: <b>10' C509 NRS GEARED RESILIENT WEDGE GATE VALVE</b> DATE: <b>12/22/2020</b>	SCALE: <b>1:5</b> SHEET NO: <b>7</b> OF <b>7</b>



SOLEWORKS COMPANY

7

D

<u>ITEM NO.</u>	<u>COMPONENT</u>	<u>QTY.</u>	<u>SIZE</u>	<u>STANDARD MATERIAL</u>	<u>MATERIAL OPTIONS</u>
1	BODY	1	-	CAST IRON	DUCTILE IRON
2	WEDGE	1	-	EPDM/DUCTILE IRON	-
3	COVER	1	-	CAST IRON	DUCTILE IRON
4	STEM	1	-	C86700	C99500 (LOW ZINC), 304 SS, 316 SS
5	O-RING	3	#218	EPDM	BUNA-N
6	THRUST WASHER	2	-	ACETAL	C26000
7	O-RING	1	#452	EPDM	BUNA-N
8	MOTOR MOUNT BRACKET	1	-	COLD ROLLED STEEL	-
9	O-RING	1	#339	EPDM	BUNA-N
10	STEM NUT	1	-	C87850	C99400 (LOW ZINC)
11	STEM KEY	1	3/8" X 2"	18-8 SS	316 SS
12	HEX HEAD CAP SCREW	4	5/8"-11 X 1 1/4"	18-8 SS	316 SS
13	HEX HEAD CAP SCREW	2	7/8"-9 X 3 1/2"	18-8 SS	316 SS
14	HEX NUT	2	7/8"-9	18-8 SS	316 SS
15	HEX HEAD CAP SCREW	8	5/8"-11 X 3 1/2"	18-8 SS	316 SS
16	HEX NUT	8	5/8"-11	18-8 SS	316 SS
17	BEVEL GEAR	1	-	-	SPUR GEAR
18	OPERATING NUT	1	-	CAST IRON	DUCTILE IRON, C86700, ** $\phi$ 12" HANDWHEEL**
19	COILED SPRING PIN	1	10MM X 45MM	18-8 SS	316 SS

- VALVES CONFORM WITH THE FOLLOWING STANDARDS
  - AWWA C509
  - NSF 61
- LOW ZINC BRASS STEM AND STEM NUT AVAILABLE
- 100% DOMESTIC FASTENERS AND ORINGS OPTIONS AVAILABLE
- *OPEN LEFT* (COUNTERCLOCKWISE) AND *OPEN RIGHT* (CLOCKWISE) OPTIONS AVAILABLE
- TURNS TO OPEN FROM FULLY CLOSED: 32
- AWWA MAXIMUM ALLOWABLE CLOSING TORQUE 185 FT-LBS
- OPTIONAL HANDWHEEL CAN BE SUBSTITUTED FOR STANDARD 2" SQUARE OP. NUTS.
  - \*\*NOTE: STANDARD HANDWHEEL SIZE LISTED OUT IN PARTS LIST.\*\*

<b>10' C509 NRS GEARED RESILIENT WEDGE GATE VALVE</b> LBS.		1:5 6 7	 MHI 6 7
DATE: 12/2/2020 TIME: 10:00 AM BY: CW	12/2/2020 10:00 AM CW	1:5 6 7	MHI 6 7