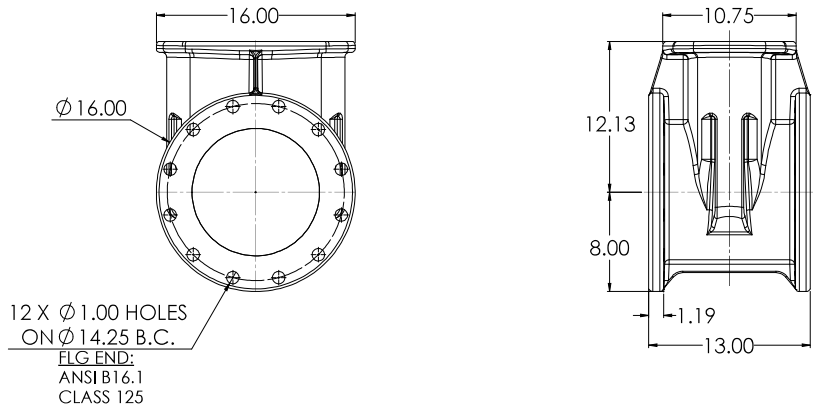
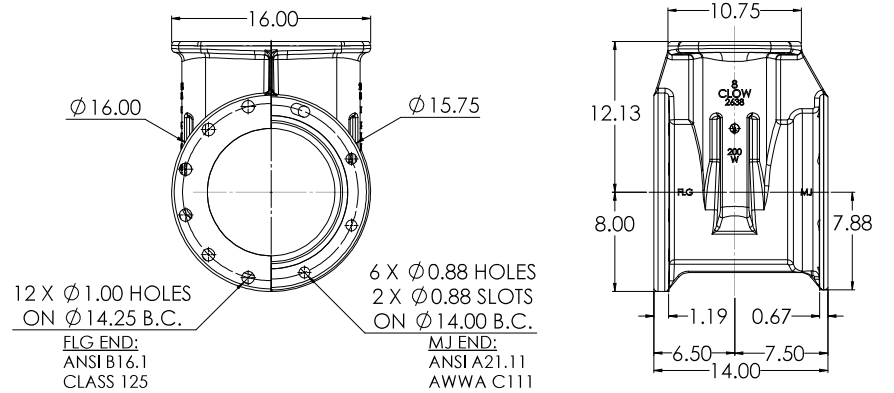


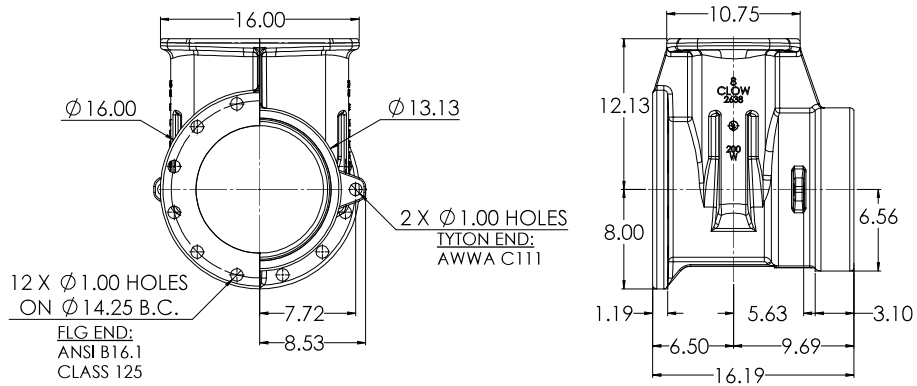
10" C515 FLG X FLG



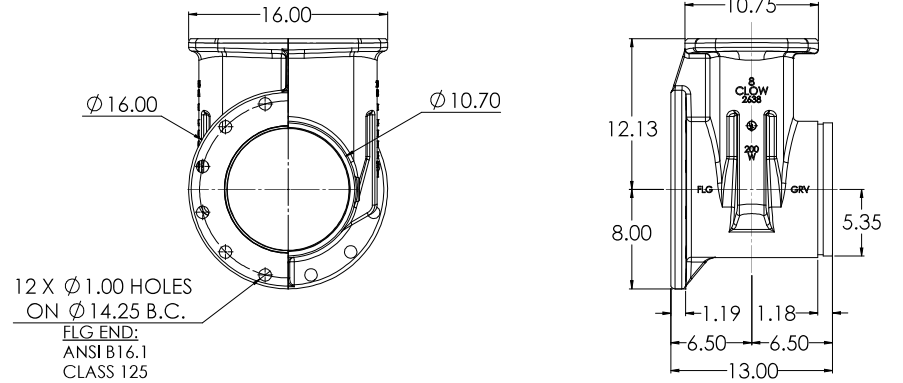
10" C515 FLG X MJ



10" C515 FLG X TYTON

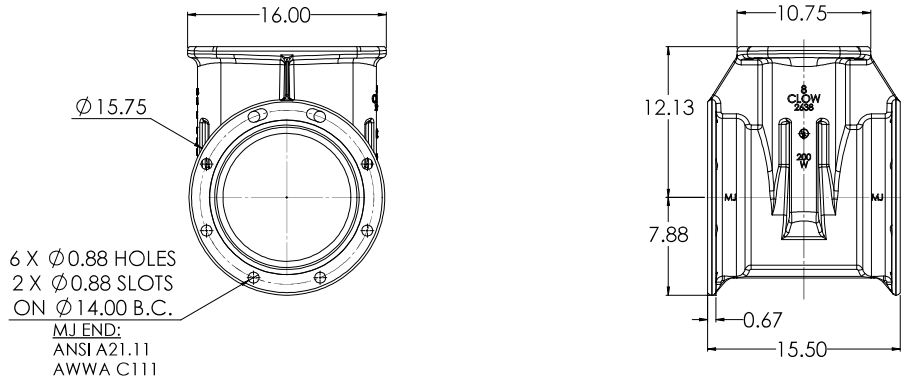


10" C515 FLG X GRVD

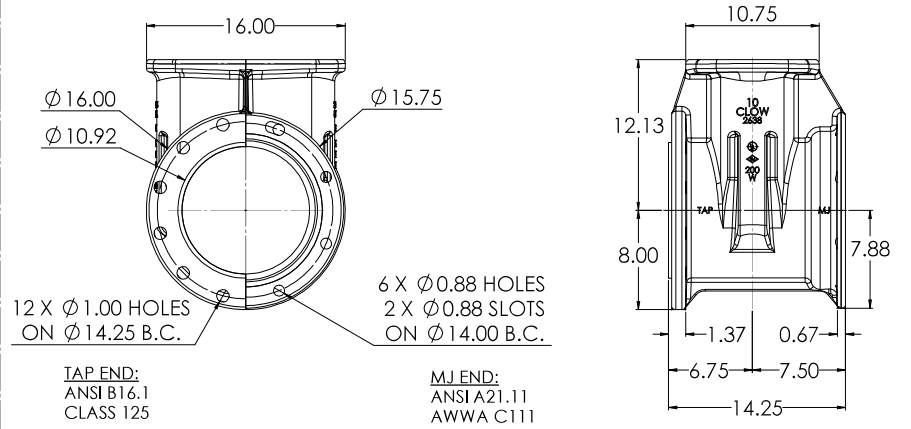


CLW CLW Valve Co. 10000 Valley Road Houston, TX 77036 Phone: 281-465-1100 Fax: 281-465-1101 Email: sales@clwvalve.com		10" C515 NRS Resilient Wedge Gate Valve LBS. GATE VALVE 1:5 12/2/2020 CW		A 6 D
--	--	--	--	-------------

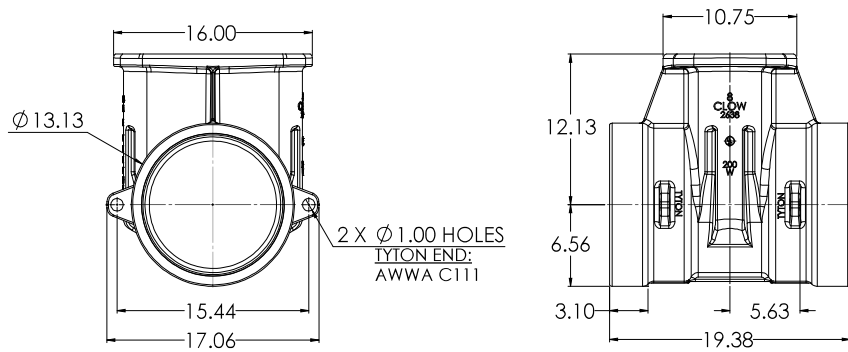
10" C515 MJ X MJ



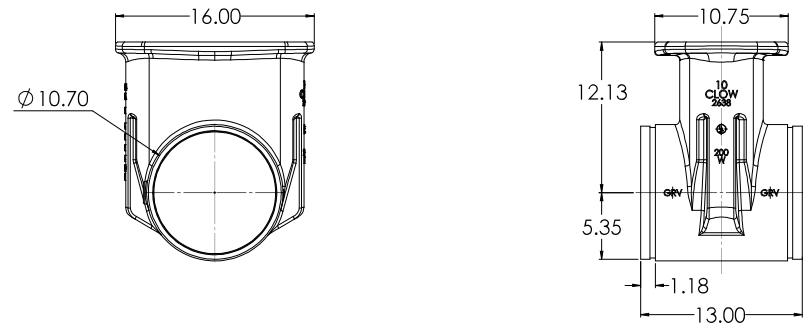
10" C515 MJ X TAP



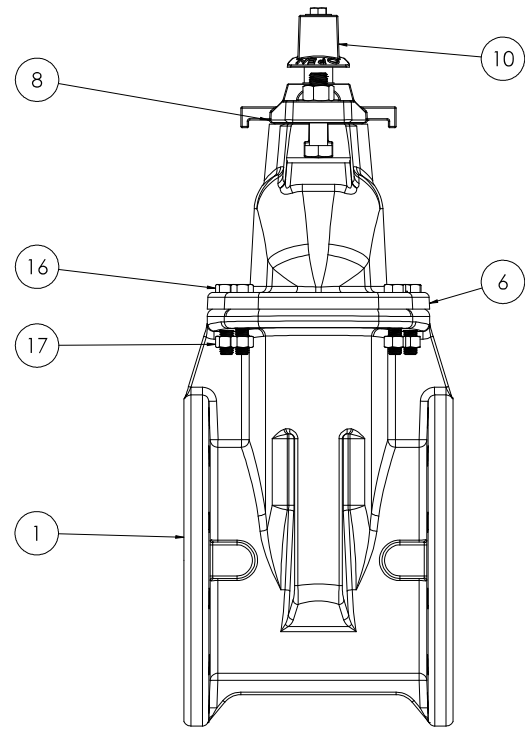
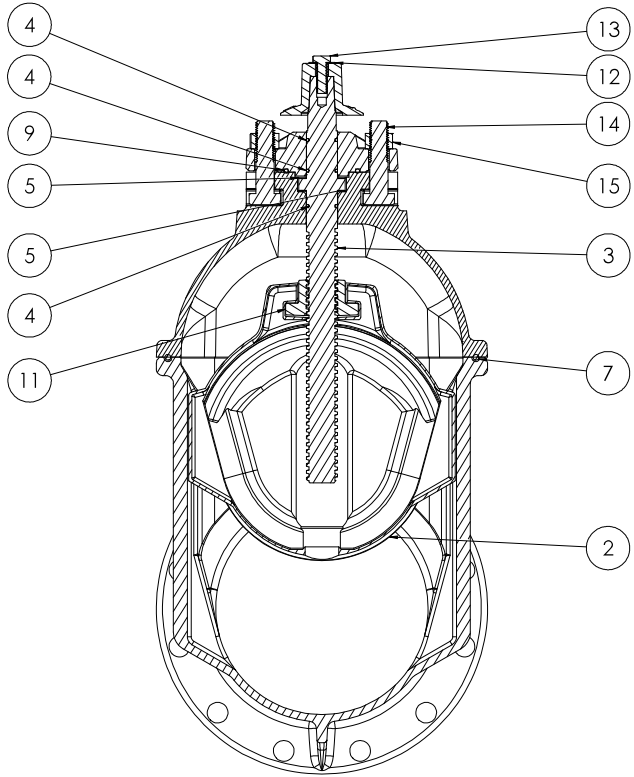
10" C515 TYTON X TYTON



10" C515 GRVD X GRVD



CLW CLW WORKS CO.		PROJECT NO. 10" C515 NRS RESILIENT WEDGE LBS. GATE VALVE		SHEET NO. 2 OF 6	
DATE: 12/2/2020 DRAWN BY: [Name] CHECKED BY: [Name]	SCALE: 1:5 MATERIAL: [Material]	WEIGHT: [Weight]	PART NO.: [Part No.]	REV: [Rev]	APPR: [Signature]



COMPANY: CLW ADDRESS: 1222/2020 CITY: CW		PROJECT: 10' CS18 NRS RESILIENT WEDGE GATE VALVE SCALE: 1:5		SHEET: 4 TOTAL SHEETS: 6	
DATE: 12/2020 DRAWN BY: CLW CHECKED BY: CLW APPROVED BY: CLW		MATERIALS: LBS WEIGHT: 150		DRAWN BY: CLW CHECKED BY: CLW APPROVED BY: CLW	
PROJECT NO: 1222/2020 SHEET NO: 4		PROJECT NAME: 10' CS18 NRS RESILIENT WEDGE GATE VALVE SCALE: 1:5		SHEET NO: 4 TOTAL SHEETS: 6	

CLW
VALVE CO.

<u>ITEM NO.</u>	<u>COMPONENT</u>	<u>QTY.</u>	<u>SIZE</u>	<u>STANDARD MATERIAL</u>	<u>MATERIAL OPTIONS</u>
1	BODY	1	-	DUCTILE IRON	-
2	WEDGE	1	-	EPDM/DUCTILE IRON	-
3	STEM	1	-	C86700	C99500 (LOW ZINC), 304 SS, 316 SS
4	O-RING	3	#218	EPDM	BUNA-N
5	THRUST WASHER	2	-	ACETAL	C26000
6	COVER	1	-	DUCTILE IRON	-
7	O-RING	1	#452	EPDM	BUNA-N
8	O-RING PLATE	1	-	DUCTILE IRON	-
9	O-RING	1	#339	EPDM	BUNA-N
10	OPERATING NUT	1	-	CAST IRON	DUCTILE IRON, C86700, **Ø 18" HANDWHEEL**
11	STEM NUT	1	-	C87850	C99500 (LOW ZINC)
12	WASHER	1	1/2"	18-8 SS	316 SS
13	HEX HEAD CAP SCREW	1	1/2"-13 X 1 1/2"	18-8 SS	316 SS
14	HEX HEAD CAP SCREW	2	7/8"-9 X 3 1/2"	18-8 SS	316 SS
15	HEX NUT	2	7/8"-9	18-8 SS	316 SS
16	HEX HEAD CAP SCREW	8	5/8"-11 X 3"	18-8 SS	316 SS
17	HEX NUT	8	5/8"-11	18-8 SS	316 SS

- VALVES CONFORM WITH THE FOLLOWING STANDARDS
 - AWWA C515
 - NSF 61
- LOW ZINC BRASS STEM AND STEM NUT AVAILABLE
- 100% DOMESTIC FASTENERS AND ORINGS OPTIONS AVAILABLE
- *OPEN LEFT* (COUNTERCLOCKWISE) AND *OPEN RIGHT* (CLOCKWISE) OPTIONS AVAILABLE
- TURNS TO OPEN FROM FULLY CLOSED: 32
- AWWA MAXIMUM ALLOWABLE CLOSING TORQUE 185 FT-LBS
- OPTIONAL HANDWHEEL CAN BE SUBSTITUTED FOR STANDARD 2" SQUARE OP. NUTS.
 - **NOTE: STANDARD HANDWHEEL SIZE LISTED OUT IN PARTS LIST.**

COMPANY: CLW ADDRESS: 10000 W. 12TH AVE., SUITE 100 DENVER, CO 80202 PHONE: 303.733.1100 FAX: 303.733.1101 WWW.CLW.COM		PROJECT: 10" CS15 NRS RESILIENT WEDGE LBS. GATE VALVE DATE: 12/29/2020 DRAWN BY: CW CHECKED BY: [] SCALE: 1:5 SHEET NO: 5 TOTAL SHEETS: 6		PROJECT NO: A SHEET NO: D
---	--	---	--	------------------------------