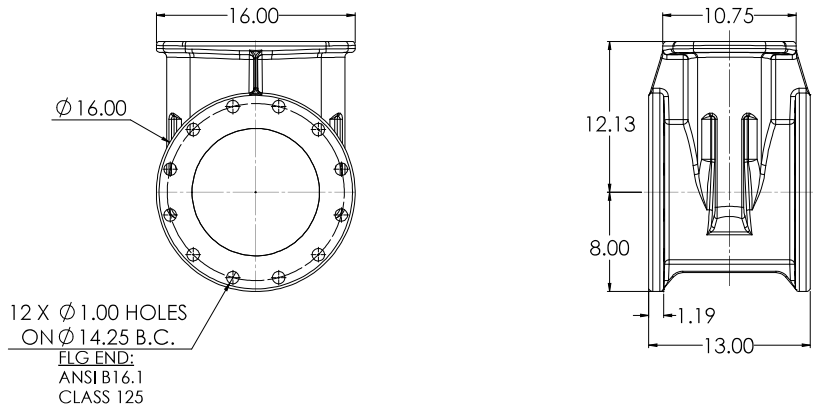
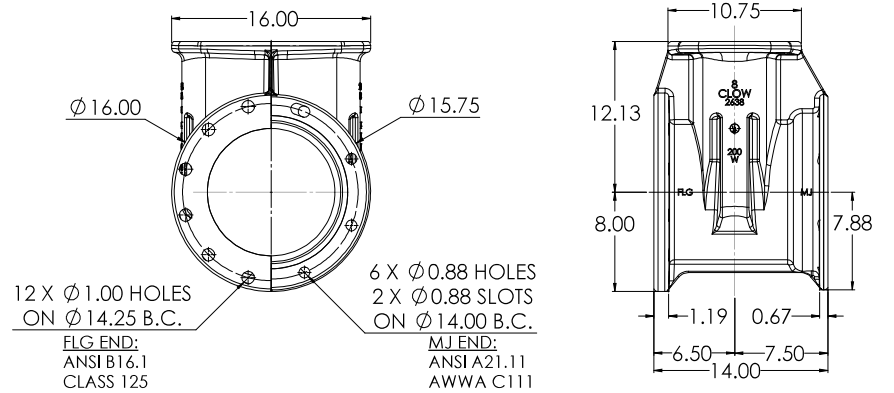


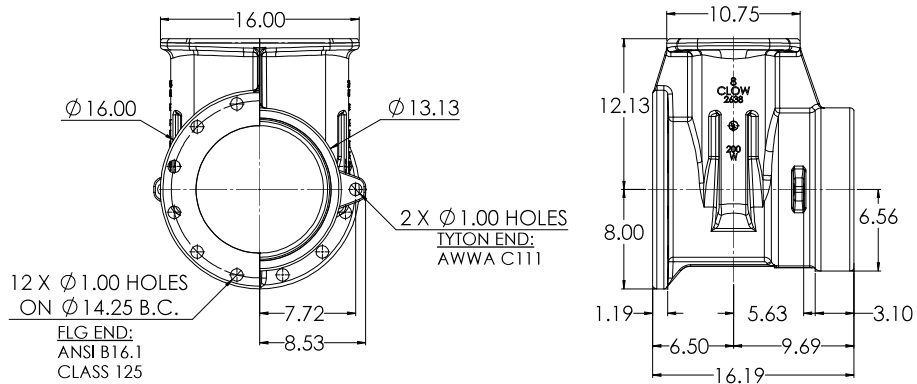
10" C515 FLG X FLG



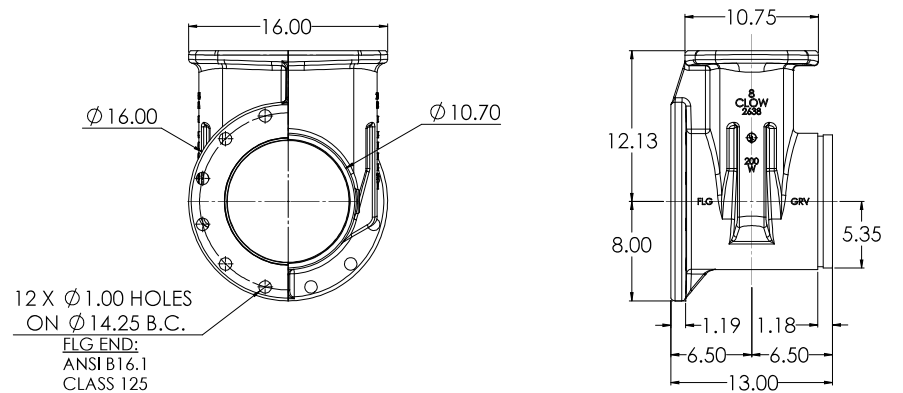
10" C515 FLG X MJ



10" C515 FLG X TYTON

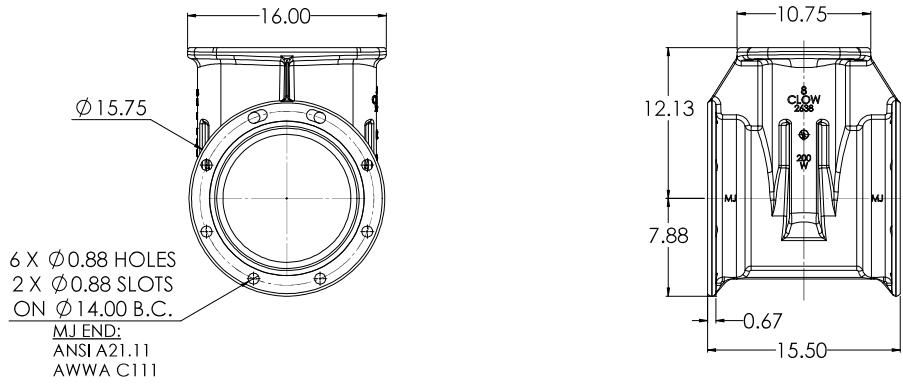


10" C515 FLG X GRVD

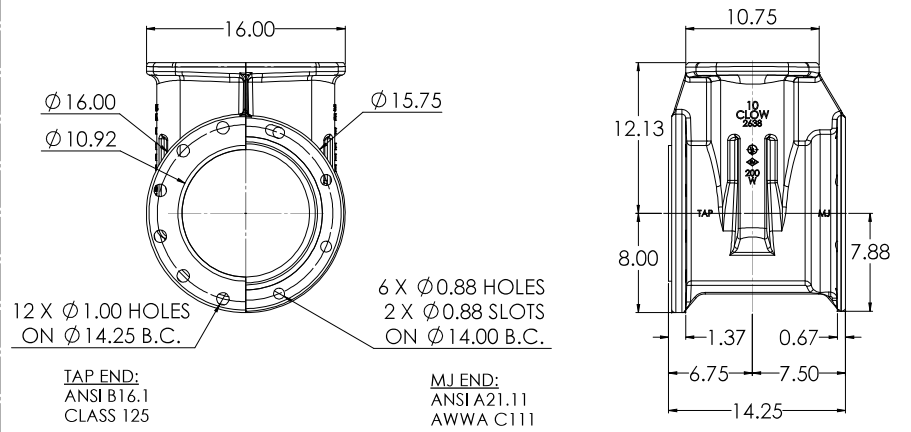


COMPANY: CLW ADDRESS: 10000 W. 10th Ave., Suite 100 Denver, CO 80201 PHONE: 303.440.1100 FAX: 303.440.1101 WWW: www.clw.com		PROJECT: 10" C515 CS&Y RESILIENT WEDGE LBS. GATE VALVE SCALE: 1:5 DATE: 12/2/2020 DRAWN BY: CW		SHEET NO: 6 TOTAL SHEETS: 6 PROJECT NO: 2018-SP2	
--	--	--	--	--	--

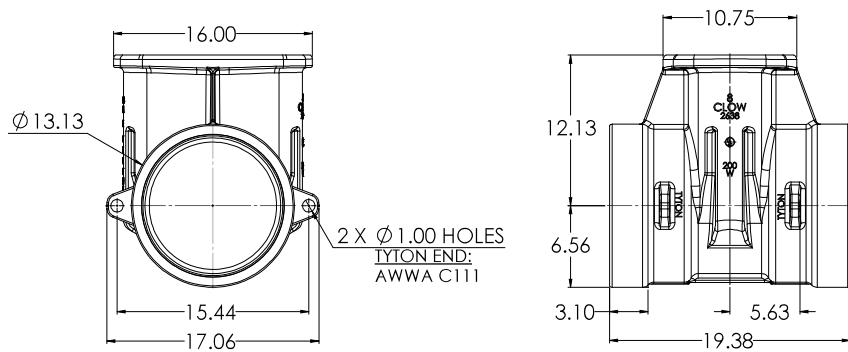
10" C515 MJ X MJ



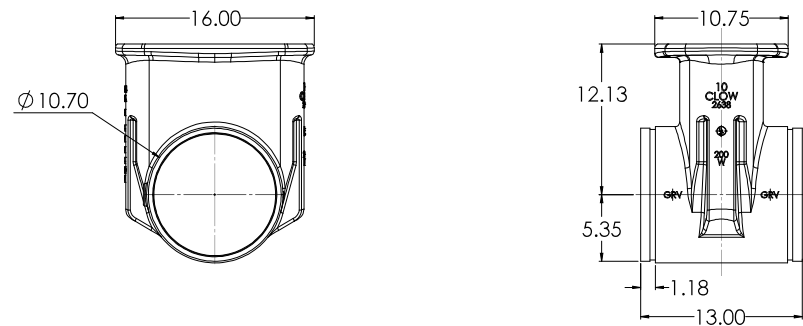
10" C515 MJ X TAP



10" C515 TYTON X TYTON

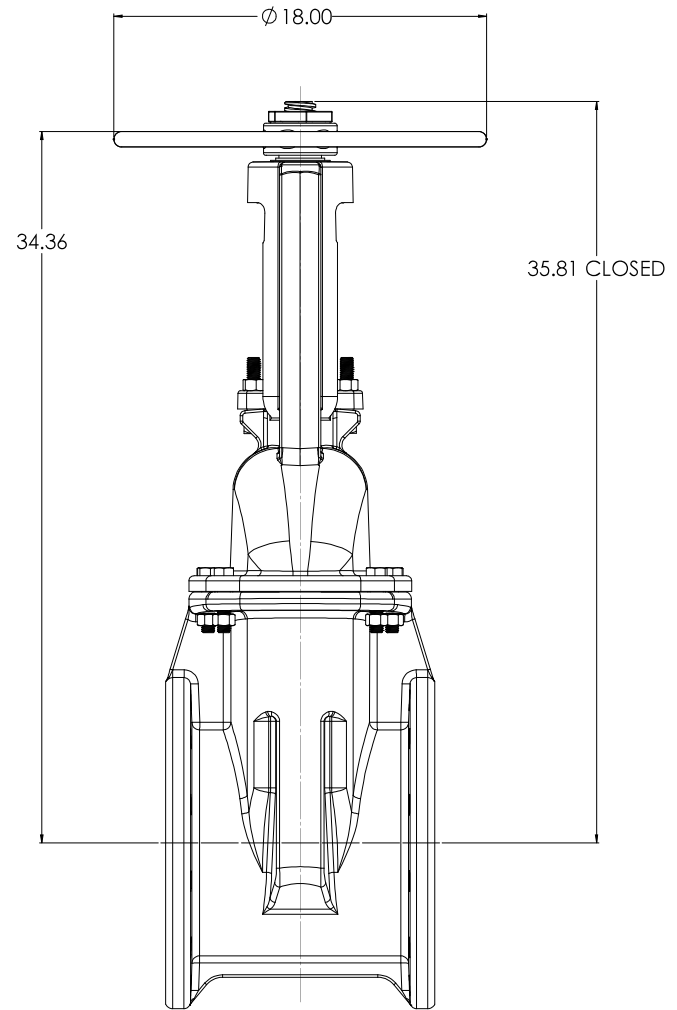
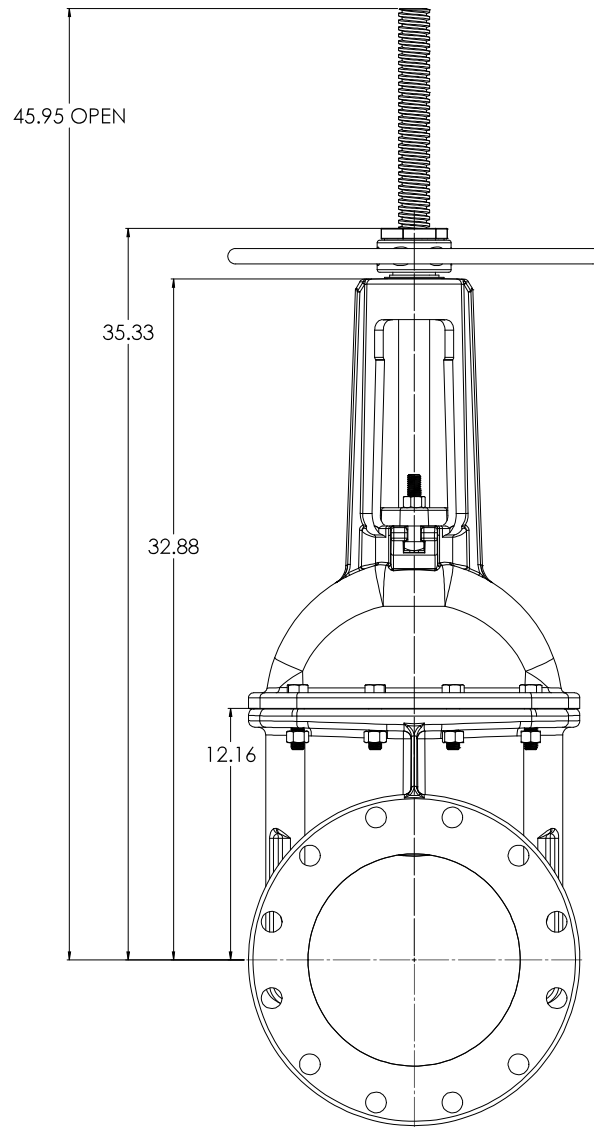


10" C515 GRVD X GRVD

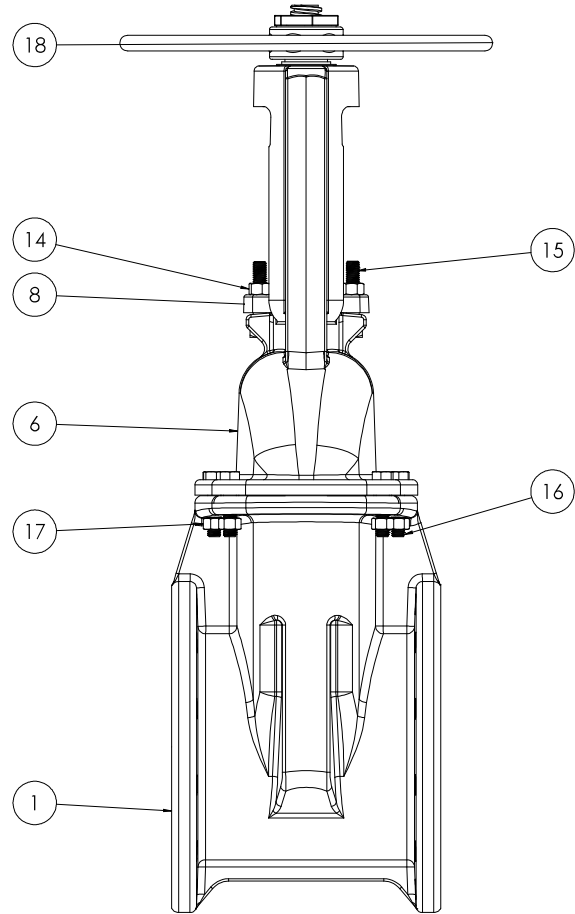
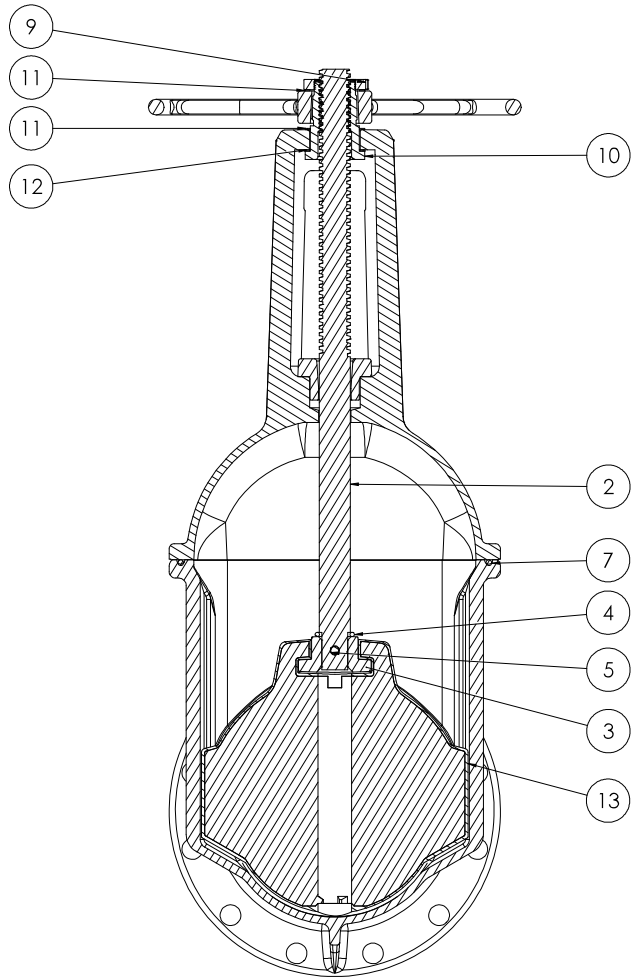


COMPANY: CLW ADDRESS: 10000 W. 10th Ave., Suite 100 DENVER, CO 80231 PHONE: 303.440.1100 FAX: 303.440.1101 WWW: www.clw.com	PROJECT: 10" C515 CS&Y RESILIENT WEDGE GATE VALVE LBS.	SCALE: 1:5 DATE: 12/20/2020	DRAWN BY: [Blank] CHECKED BY: [Blank] APPROVED BY: [Blank]	SHEET NO: 2 TOTAL SHEETS: 6 PROJECT NO: [Blank]
--	---	--------------------------------	--	---

OS&Y WITH HANDWHEEL



CLW CONSTRUCTION LOGIC WORKS 10000 W. 10th Street, Suite 100 Denver, CO 80202 Phone: 303.751.1000 Fax: 303.751.1001 Email: info@clw.com		PROJECT: 10' CS15 OS&Y RESILIENT WEDGE GATE VALVE LBS. T:10 DATE: 12/22/2020 DRAWN BY: CW		SHEET: 3 OF 6 SCALE: 1:10 REVISION: 6	
--	--	--	--	---	--



COMPANY: CLW ADDRESS: 10000 W. 10th St., Suite 100, Denver, CO 80202 PHONE: (303) 751-1000 FAX: (303) 751-1001 WWW: www.clw.com		PROJECT: 10' CS15 CS&Y RESILIENT WEDGE GATE VALVE DRAWING NO: 10' CS15 CS&Y RESILIENT WEDGE GATE VALVE DATE: 12/22/2020		SHEET NO: 4 TOTAL SHEETS: 6 SCALE: T:10 PROJECT NO: SW-2016-SP2		CLW VALUE CO
CHECKED BY: [Signature] DATE: 12/22/2020	DESIGNED BY: [Signature] DATE: 12/22/2020	APPROVED BY: [Signature] DATE: 12/22/2020	MATERIALS: [Signature] DATE: 12/22/2020	WEIGHT: 100 LBS	WEIGHT: 100 LBS	WEIGHT: 100 LBS

<u>ITEM NO.</u>	<u>COMPONENT</u>	<u>QTY.</u>	<u>SIZE</u>	<u>STANDARD MATERIAL</u>	<u>MATERIAL OPTIONS</u>
1	BODY	1	-	DUCTILE IRON	-
2	STEM	1	STEM	C65500	304 SS, 316 SS
3	STEM NUT	1		C87850	C87610, C87845, C89833, C99500
4	O-RING	1	#325	EPDM	BUNA-N
5	DRIVLOK PIN	1	7/16 X 2 1/4"	303 SS	-
6	COVER	1	-	DUCTILE IRON	-
7	O-RING	1	#452	EPDM	BUNA-N
8	GLAND	1	-	CAST IRON	-
9	HOLD DOWN NUT	1	-	C87850	C87610 (LOW ZINC)
10	TOP STEM NUT	1	-	C86700	-
11	LOWER THRUST WASHER	2	-	C26000	-
12	THRUST WASHER	1	-	NYLATRON	-
13	WEDGE	1	-	EPDM/DUCTILE IRON	-
14	HEX NUT	2	5/8"-11	18-8 SS	316 SS
15	SQUARE HEAD CAP SCREW	2	5/8"-11 X 3 1/4"	18-8 SS	316 SS
16	HEX HEAD CAP SCREW	8	5/8"-11 X 2 3/4"	18-8 SS	316 SS
17	HEX NUT	8	5/8"-11	18-8 SS	316 SS
18	HANDWHEEL	1	Ø 18"	DUCTILE IRON	-

- VALVES CONFORM WITH THE FOLLOWING STANDARDS
 - AWWA C515
 - NSF 61
- LOW ZINC BRASS STEM AND STEM NUT AVAILABLE
- 100% DOMESTIC FASTENERS AND ORINGS OPTIONS AVAILABLE
- *OPEN LEFT* (COUNTERCLOCKWISE) AND *OPEN RIGHT* (CLOCKWISE) OPTIONS AVAILABLE
- TURNS TO OPEN FROM FULLY CLOSED: 32
- AWWA MAXIMUM ALLOWABLE CLOSING TORQUE 185 FT-LBS

C:\Projects\2018\10' CS&Y Resilient Wedge Gate Valve\		DATE: 12/20/2018	TIME: 1:10	USER:
PROJECT:	SHEET NO.:	TOTAL SHEETS:	SCALE:	DRAWN BY:
10' CS&Y RESILIENT WEDGE GATE VALVE	5	6	T:10	S:\Projects\2018 SP2
COMPANY:				CLW
PROJECT NO.:				1222020
SHEET TITLE:				5
TOTAL SHEETS:				6
SCALE:				D