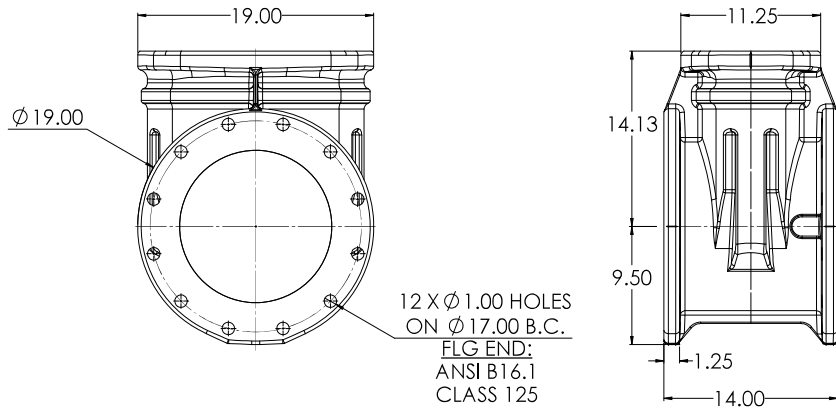
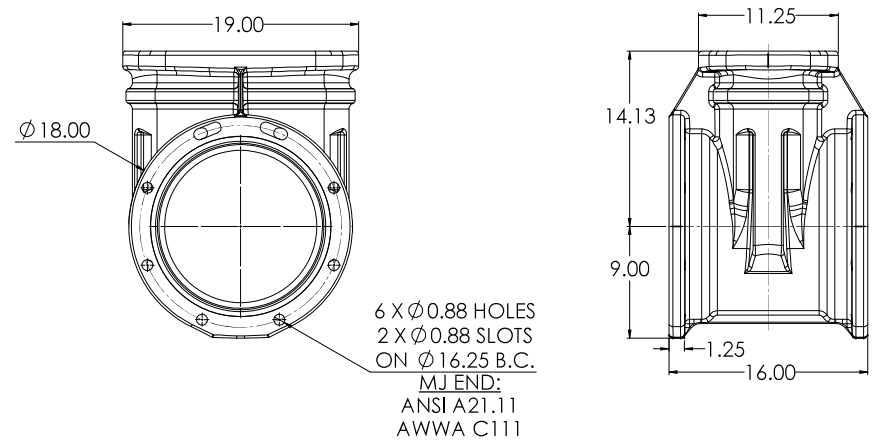


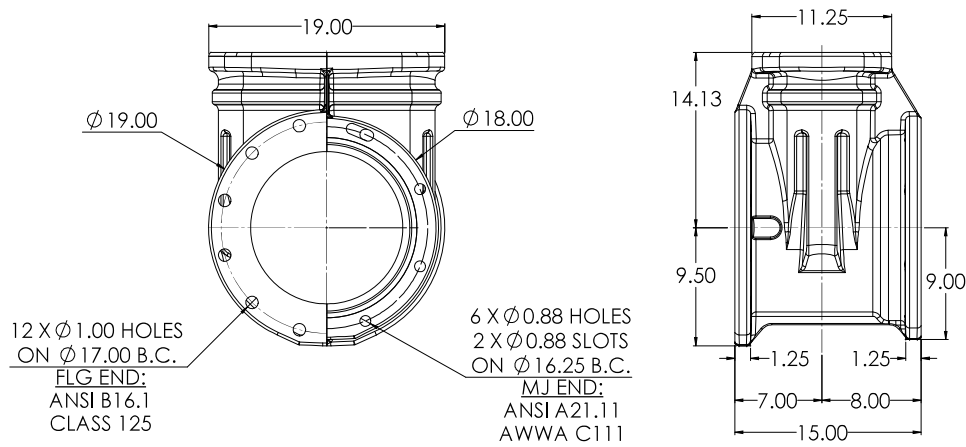
### 12" C509 FLG X FLG



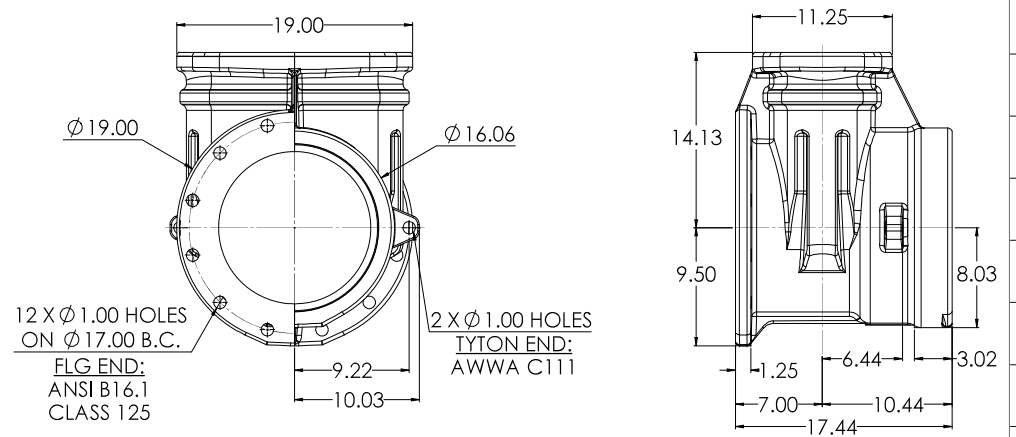
### 12" C509 MJ X MJ



### 12" C509 FLG X MJ

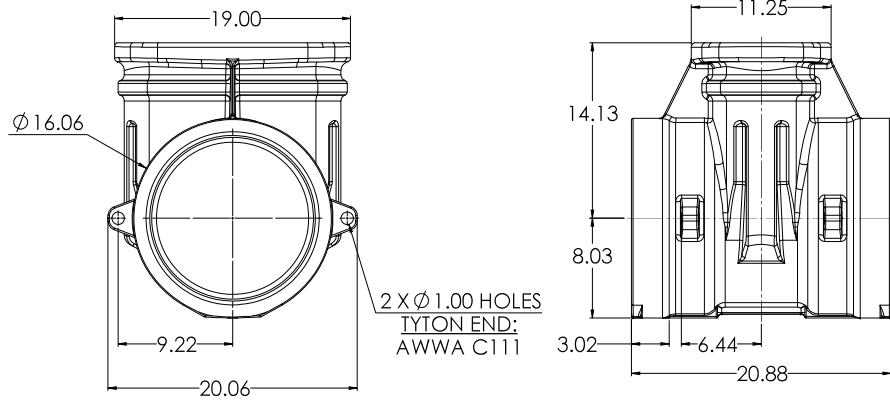


### 12" C509 FLG X TYTON



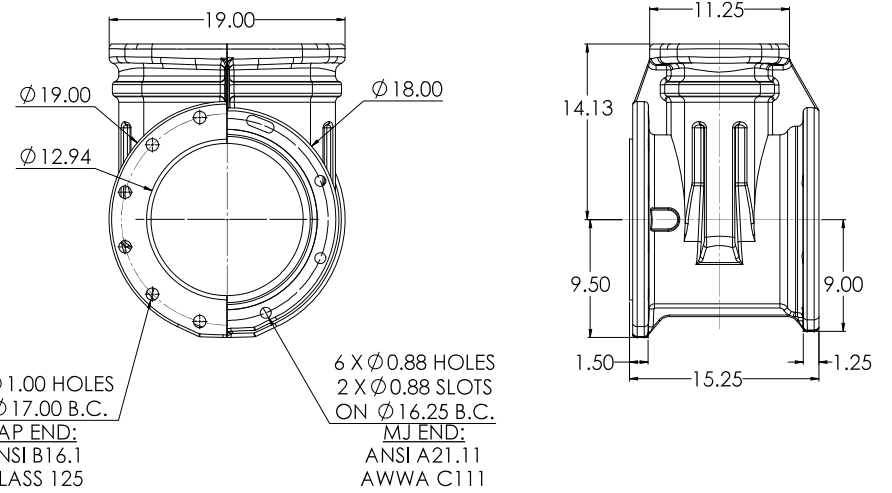
<b>MANUFACTURER'S INFORMATION</b> COMPANY: <b>WORLDWIDE VALVE COMPANY</b> ADDRESS: <b>12000 W. 120th St., Omaha, NE 68147</b> PHONE: <b>402-491-1111</b> FAX: <b>402-491-1112</b> E-MAIL: <b>SALES@WORLDWIDEVALVE.COM</b> WEBSITE: <b>WWW.WORLDWIDEVALVE.COM</b>		<b>PRODUCT INFORMATION</b> MODEL: <b>12" C509 NRS GEARED RESILIENT LBS. WEDGE GATE VALVE</b> SIZE: <b>12"</b> END: <b>ANSI B16.1 CLASS 125</b> END: <b>ANSI A21.11 AWWA C111</b> END: <b>ANSI A21.11 AWWA C111</b>		<b>DATE:</b> 12/2/2020	<b>SCALE:</b> 1:5	<b>REV:</b> 8	<b>APP:</b> CW	<b>DATE:</b> 12/2/2020	<b>SCALE:</b> 1:5	<b>REV:</b> 8	<b>APP:</b> CW
--	--	---	--	---------------------------	----------------------	------------------	-------------------	---------------------------	----------------------	------------------	-------------------

**12" C509 TYTON X TYTON**



2 X  $\phi$  1.00 HOLES  
TYTON END:  
AWWA C111

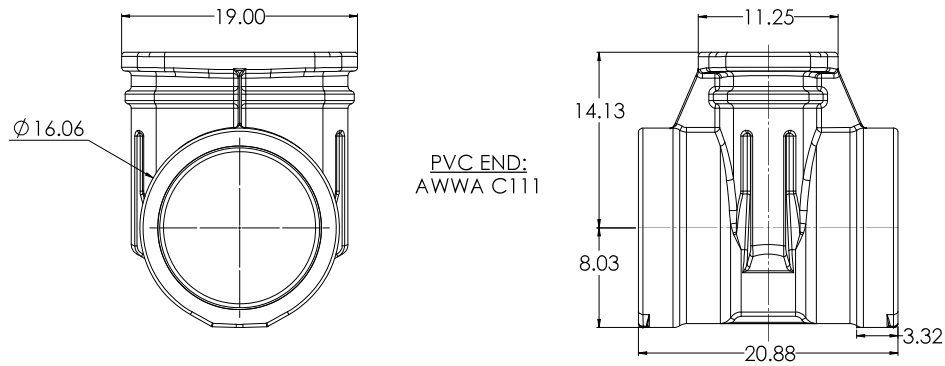
**12" C509 MJ X TAP**



12 X  $\phi$  1.00 HOLES  
ON  $\phi$  17.00 B.C.  
TAP END:  
ANSI B16.1  
CLASS 125

6 X  $\phi$  0.88 HOLES  
2 X  $\phi$  0.88 SLOTS  
ON  $\phi$  16.25 B.C.  
MJ END:  
ANSI A21.11  
AWWA C111

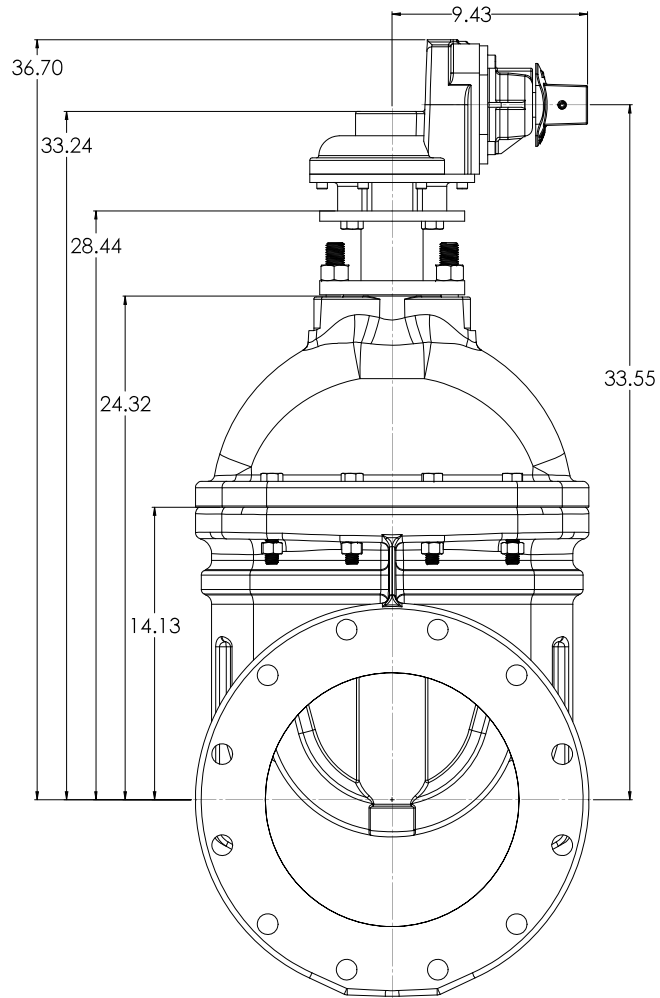
**12" C509 PVC X PVC**



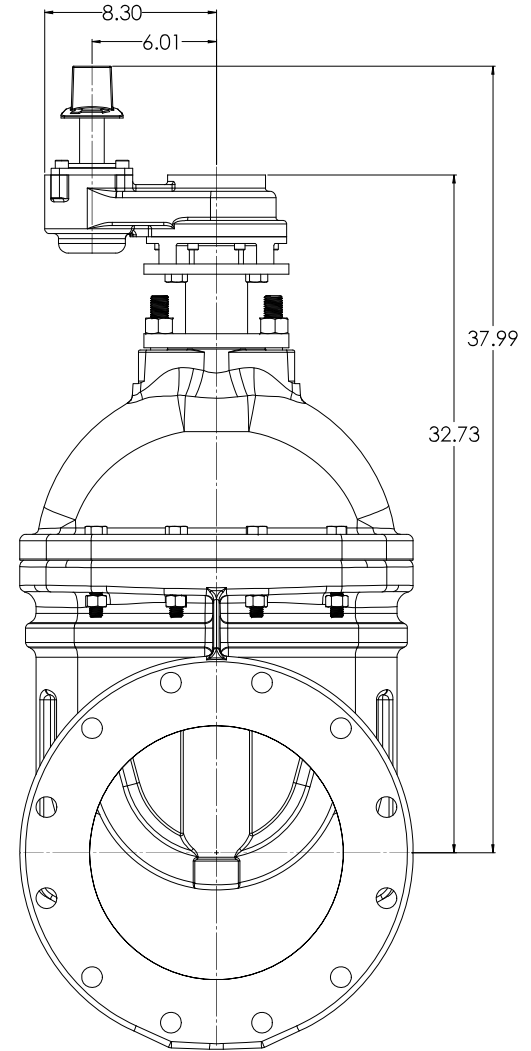
PVC END:  
AWWA C111

DATE: 12/2/2020 TIME: 10:00 DRAWN BY: [Name] CHECKED BY: [Name]	PROJECT: 12" C509 NRS GEARED RESILIENT WEDGE GATE VALVE SHEET NO: 2 TOTAL SHEETS: 8	SCALE: 1:5 MATERIAL: LBS.	COMPANY: SoliWorks 2016 SP2
--	---	------------------------------	-----------------------------

**BEVEL GEAR WITH  
OPERATING NUT**

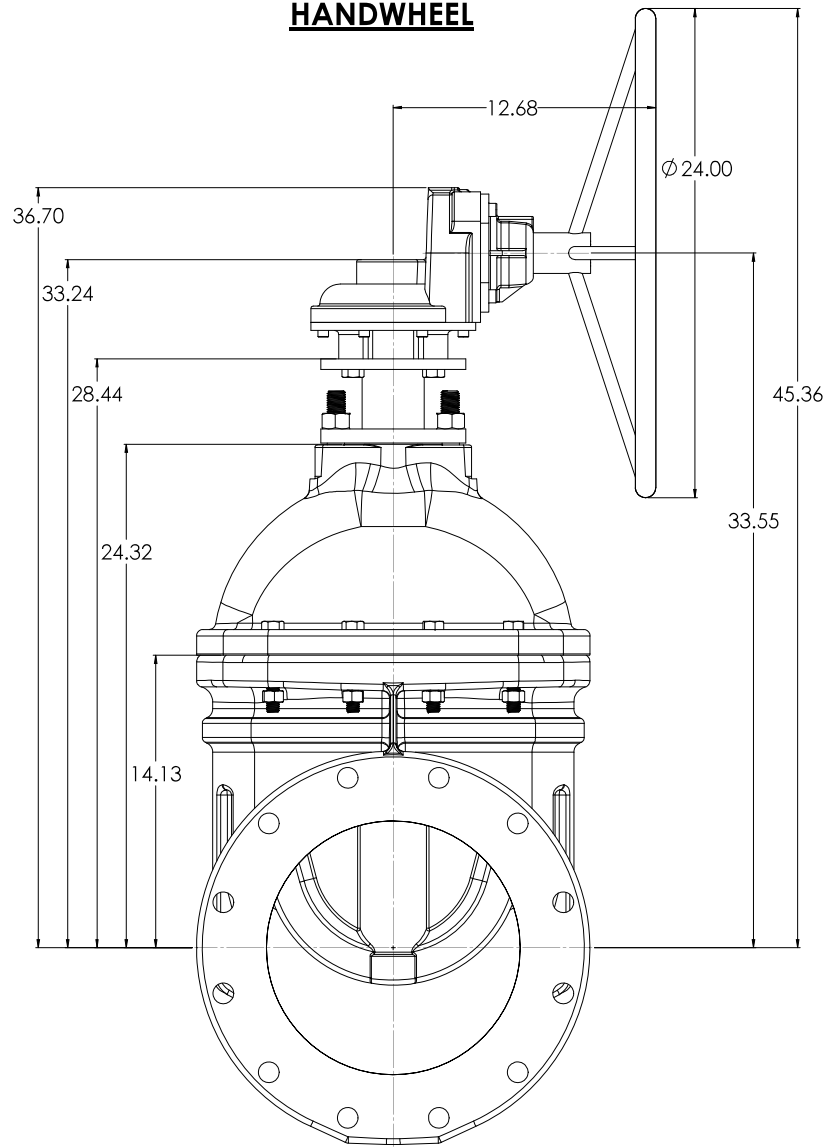


**SPUR GEAR WITH  
OPERATING NUT**

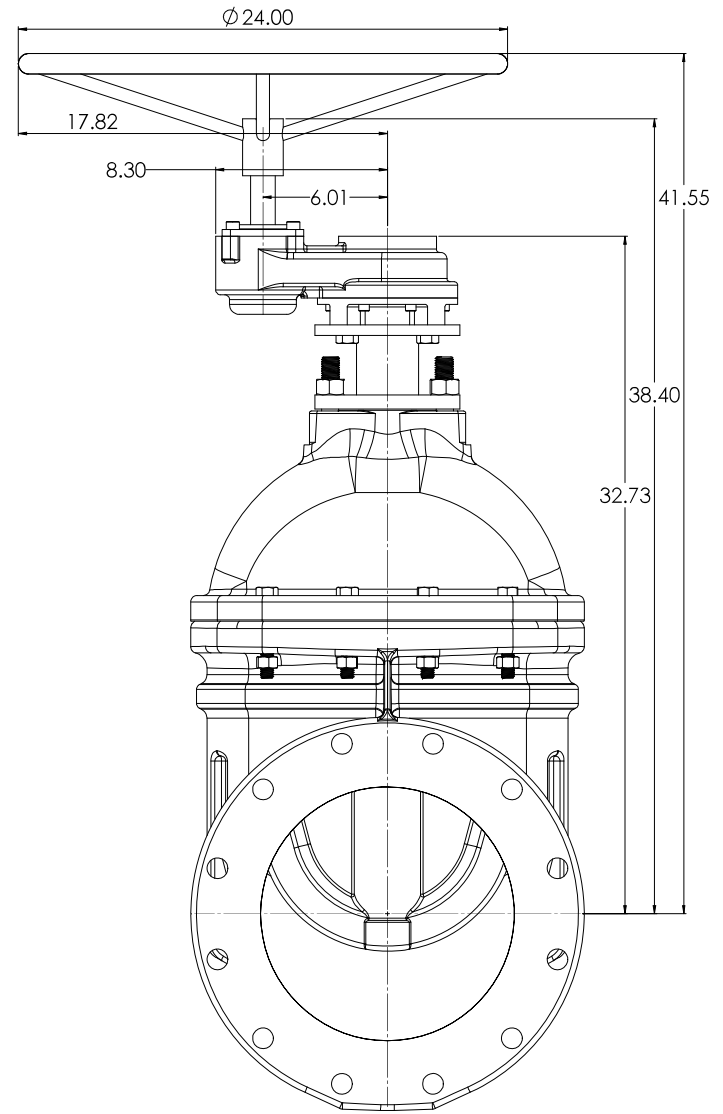


COMPANY: <b>SWISS VALVE</b> ADDRESS: <b>11000 SWISS VALVE DRIVE, SUITE 100, DALLAS, TX 75244</b> PHONE: <b>214-343-8800</b> FAX: <b>214-343-8801</b> E-MAIL: <b>SALES@SWISSVALVE.COM</b> WEBSITE: <b>WWW.SWISSVALVE.COM</b>	TITLE: <b>12" C509 NRS GEARED RESILIENT WEDGE GATE VALVE</b> LBS: <b>1100</b> T: <b>1:10</b> DATE: <b>12/29/2020</b>	SHEET NO: <b>3</b> TOTAL SHEETS: <b>8</b> DRAWN BY: <b>D</b> CHECKED BY: <b>D</b> APPROVED BY: <b>D</b>
--	---	---

**BEVEL GEAR WITH  
HANDWHEEL**

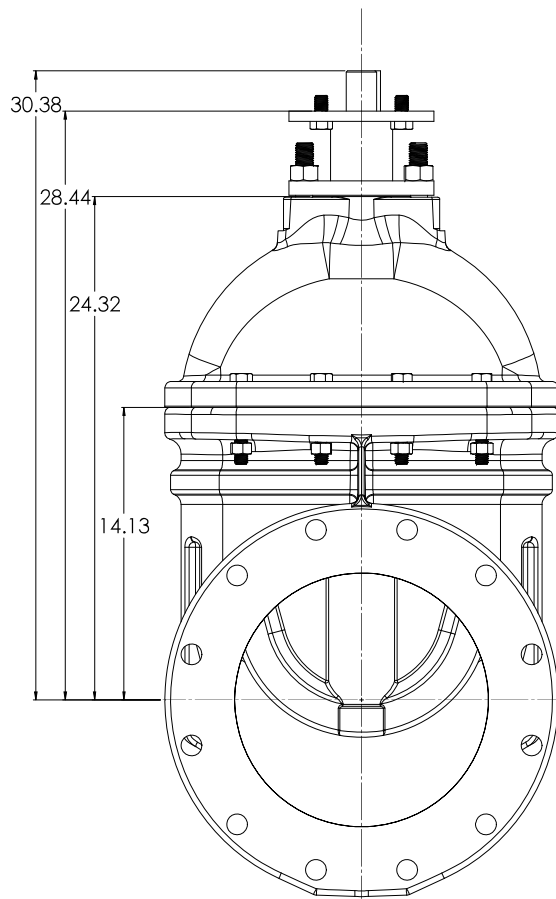


**SPUR GEAR WITH  
HANDWHEEL**



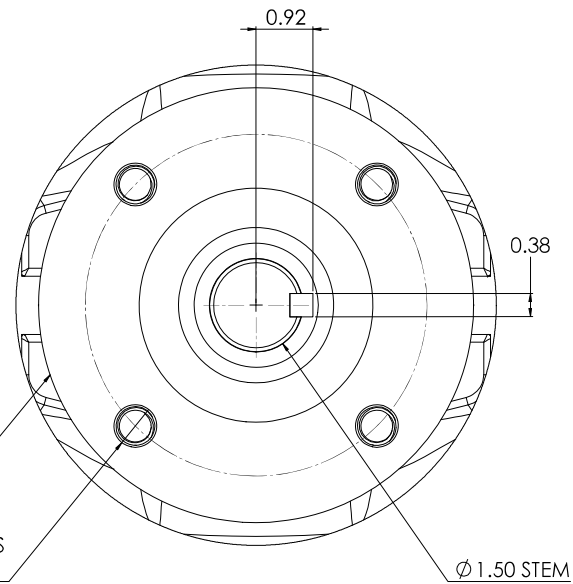
COMPANY: <b>WILSON-JONES</b> ADDRESS: 1000 W. 10th St., Tulsa, OK 74103 PHONE: (918) 438-1111 FAX: (918) 438-1112 E-MAIL: sales@wilson-jones.com WEBSITE: www.wilson-jones.com		DIVISION: <b>VALVES</b> PRODUCT: <b>12" C509 NRS GEARED RESILIENT WEDGE GATE VALVE</b> MATERIAL: <b>LBS</b> WEIGHT: <b>110</b> PART NO.: <b>T110</b> DATE: <b>12/22/2020</b>		DRAWN BY: <b>D</b> CHECKED BY: <b>D</b> APPROVED BY: <b>D</b>
---	--	---	--	---

## BARE STEM



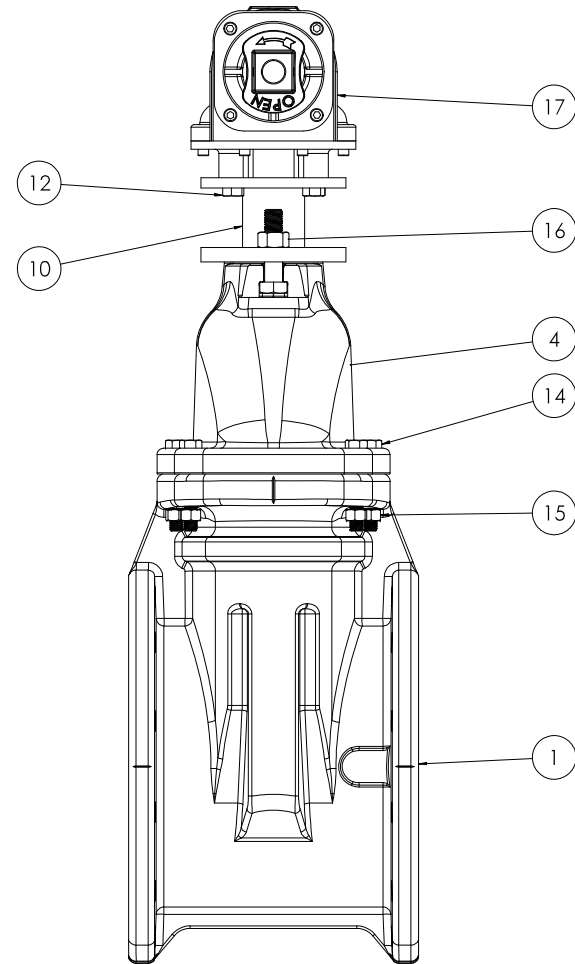
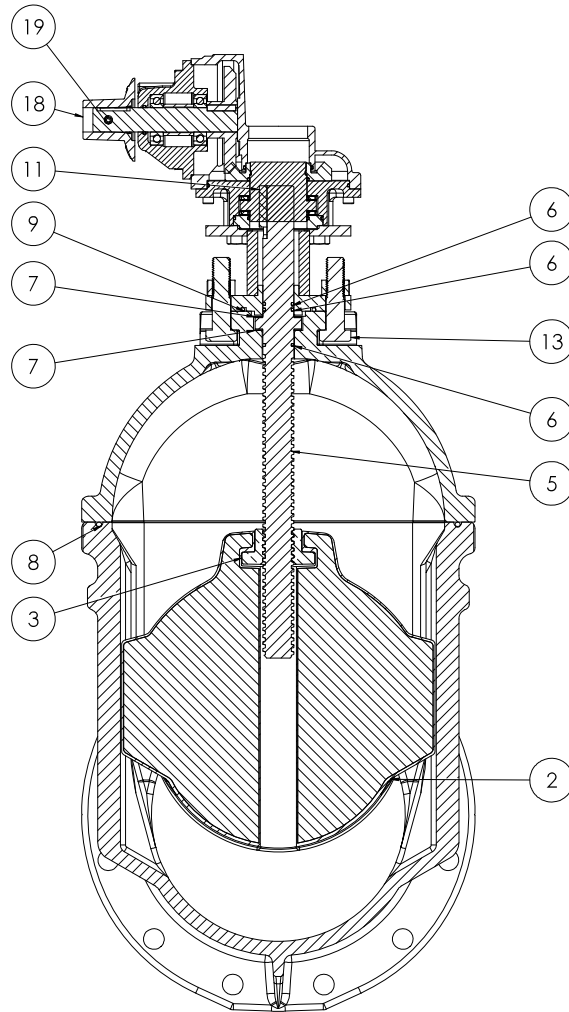
STANDARD FA14  
MOUNTING

4 X  $\varnothing 0.69$  HOLES  
ON  $\varnothing 5.50$  B.C.



BARE STEM MOUNTING FLG

<b>WILSON-JONES</b> 12" C509 NRS GEARED RESILIENT WEDGE GATE VALVE		12" C509 NRS GEARED RESILIENT WEDGE GATE VALVE		
DATE: 12/2/2020 DWG NO: 12-000000-001 REV: 1 DESIGNED BY: CW CHECKED BY:	PROJECT NO: 12-000000 PROJECT NAME: 12" C509 NRS GEARED RESILIENT WEDGE GATE VALVE DRAWING TITLE: BARE STEM MOUNTING FLG SCALE: 1:10 SHEET NO: 8 TOTAL SHEETS: 8	WEIGHT: 1.00 LBS MATERIAL: T110 FINISH:	MANUFACTURED BY: Wilson-Jones LOCATION:	DRAWN BY: CW DATE: 12/2/2020 CHECKED BY:



<b>12" WEDGE GATE VALVE</b> <small>DESIGNED BY: [REDACTED] DRAWN BY: [REDACTED]</small> <small>CHECKED BY: [REDACTED] APPROVED BY: [REDACTED]</small>		<small>DATE: 12/22/2020</small> <small>SCALE: 1:10</small> <small>PROJECT: [REDACTED]</small>		<small>REV. NO.</small> <small>REV. DATE</small> <small>REV. BY</small>		<small>REV. DESCRIPTION</small>	
<small>DATE: 12/22/2020</small> <small>SCALE: 1:10</small> <small>PROJECT: [REDACTED]</small>	<small>REV. NO.</small> <small>REV. DATE</small> <small>REV. BY</small>	<small>REV. DESCRIPTION</small>	<small>REV. NO.</small> <small>REV. DATE</small> <small>REV. BY</small>	<small>REV. DESCRIPTION</small>	<small>REV. NO.</small> <small>REV. DATE</small> <small>REV. BY</small>	<small>REV. DESCRIPTION</small>	<small>REV. NO.</small> <small>REV. DATE</small> <small>REV. BY</small>
<small>12" C509 NRS GEARED RESILIENT WEDGE GATE VALVE</small>				<small>LBS.</small>		<small>6</small>	
<small>CW 1229/2020</small>				<small>T:10</small>		<small>8</small>	
<small>12" WEDGE GATE VALVE</small>				<small>6</small>		<small>D</small>	

<u>ITEM NO.</u>	<u>COMPONENT</u>	<u>QTY.</u>	<u>SIZE</u>	<u>STANDARD MATERIAL</u>	<u>MATERIAL OPTIONS</u>
1	BODY	1	-	CAST IRON	DUCTILE IRON
2	WEDGE	1	-	EPDM/DUCTILE IRON	-
3	STEM NUT	1	-	C87850	C99500 (LOW ZINC)
4	COVER	1	-	CAST IRON	DUCTILE IRON
5	STEM	1	-	C36000	C99500 (LOW ZINC)
6	O-RING	3	#218	EPDM	BUNA-N
7	THRUST WASHER	2	-	ACETAL	C26000
8	O-RING	1	#455	EPDM	BUNA-N
9	O-RING	1	#339	EPDM	BUNA-N
10	MOTOR MOUNT BRACKET	1	-	COLD ROLLED STEEL	-
11	STEM KEY	1	3/8" X 2"	18-8 SS	316 SS
12	HEX HEAD CAPSCREW	4	5/8"-11 X 1 1/4"	18-8 SS	316 SS
13	HEX HEAD CAPSCREW	2	7/8"-9 X 3 1/2"	18-8 SS	316 SS
14	HEX HEAD CAPSCREW	8	5/8"-11 X 4"	18-8 SS	316 SS
15	HEX NUT	8	5/8"-11	18-8 SS	316 SS
16	HEX NUT	2	7/8"-9	18-8 SS	316 SS
17	BEVEL GEAR	1	-	-	SPUR GEAR
18	OPERATING NUT	1	-	CAST IRON	C86700, DUCTILE IRON, **Ø 24" HANDWHEEL**
19	COILED SPRING PIN	1	10mm X 45mm	302/304 SS	-

- VALVES CONFORM WITH THE FOLLOWING STANDARDS
  - AWWA C509
  - NSF 61
- LOW ZINC BRASS STEM AND STEM NUT AVAILABLE
- 100% DOMESTIC FASTENERS AND ORINGS OPTIONS AVAILABLE
- *OPEN LEFT* (COUNTERCLOCKWISE) AND *OPEN RIGHT* (CLOCKWISE) OPTIONS AVAILABLE
- TURNS TO OPEN FROM FULLY CLOSED: 36
- AWWA MAXIMUM ALLOWABLE CLOSING TORQUE 200 FT-LBS
- OPTIONAL HANDWHEEL CAN BE SUBSTITUTED FOR STANDARD 2" SQUARE OP. NUTS.
  - \*\*NOTE: STANDARD HANDWHEEL SIZE LISTED OUT IN PARTS LIST.\*\*

<small>           COMPANY: <b>12" C509 NRS GEARED RESILIENT WEDGE GATE VALVE</b>            PART NO.: <b>12" C509 NRS GEARED RESILIENT WEDGE GATE VALVE</b>            QTY: <b>1</b>            DATE: <b>12/29/2020</b>            DRAWN BY: <b>CW</b>            CHECKED BY: <b>TTO</b>            SCALE: <b>1:10</b>            SHEET NO.: <b>8</b> </small>		
--	--	---