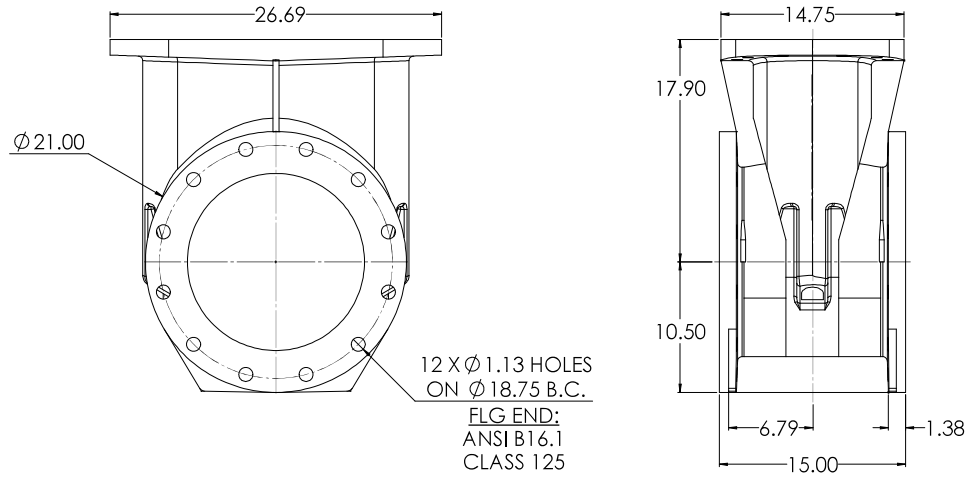
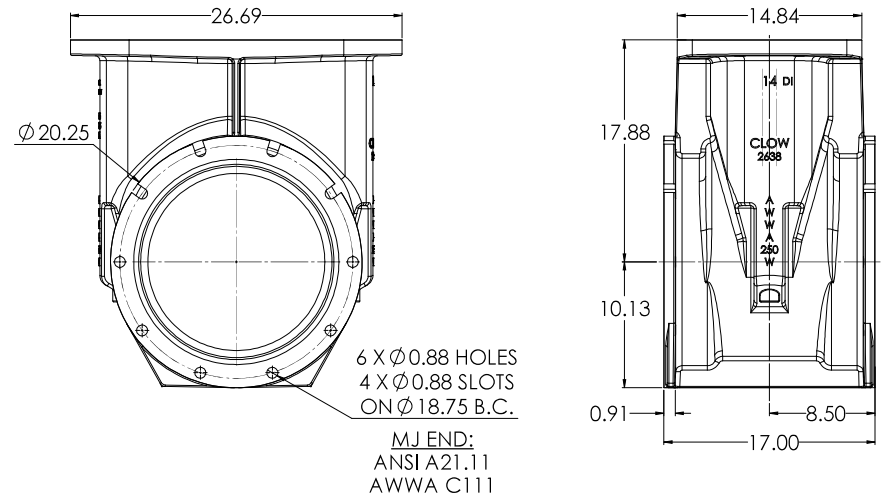


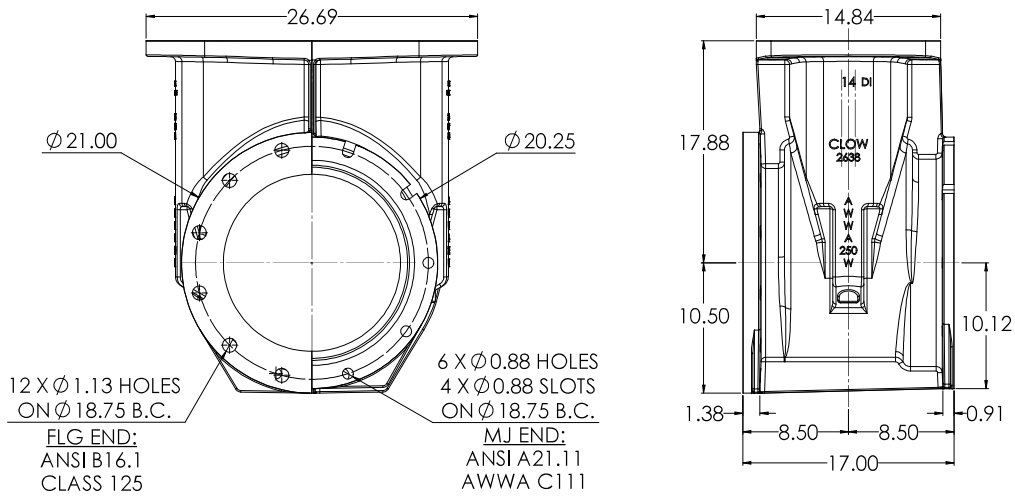
14" C515 FLG X FLG



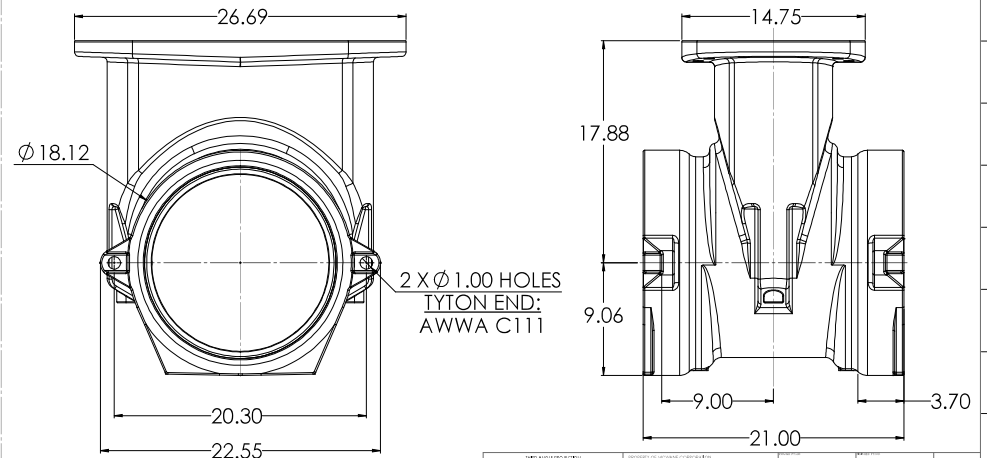
14" C515 MJ X MJ



14" C515 FLG X MJ

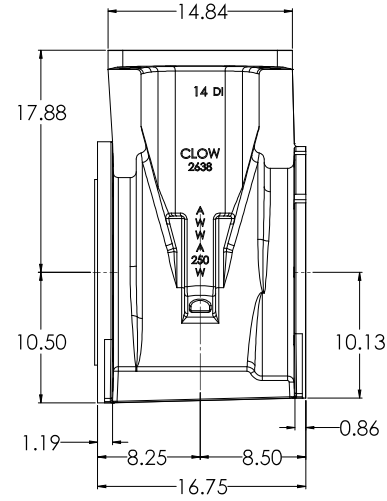
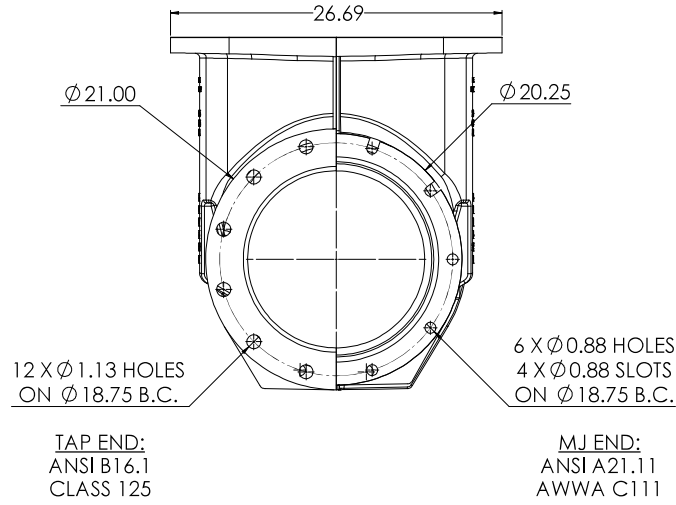


14" C515 TYTON X TYTON



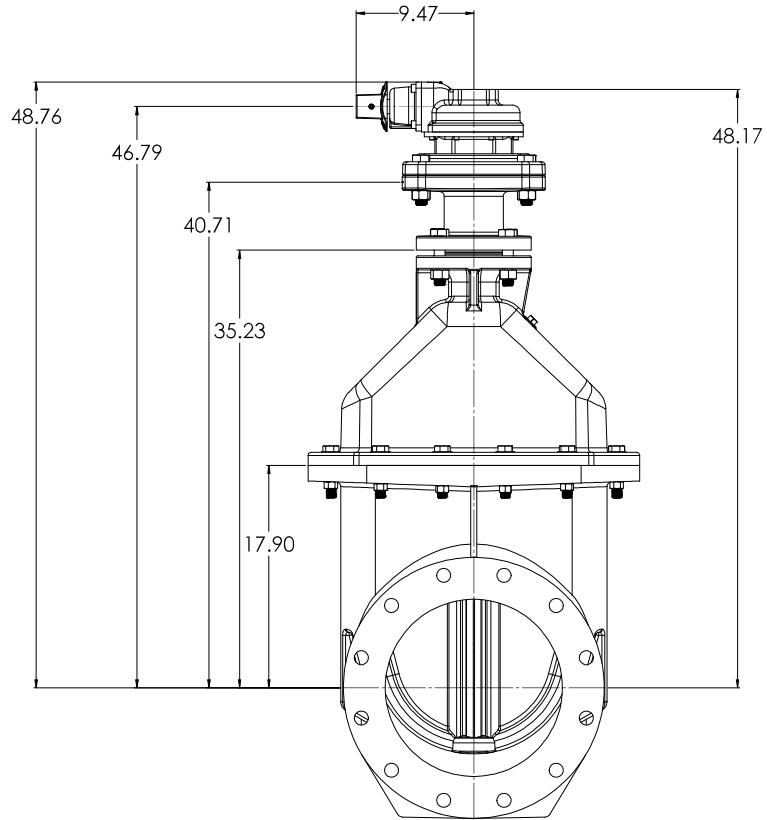
<p>14" C515 NRS GEARED RESILIENT WEDGE GATE VALVE</p>		<p>AWWA C111</p>	<p>ANSI A21.11</p>	<p>CLASS 125</p>	<p>AWWA C111</p>	<p>ANSI B16.1</p>	<p>CLASS 125</p>	<p>AWWA C111</p>	<p>ANSI B16.1</p>	<p>CLASS 125</p>
<p>DATE: 12/28/2020</p>	<p>TIME: 10:50</p>	<p>USER: CW</p>	<p>PROJECT: 14" C515 NRS GEARED RESILIENT WEDGE GATE VALVE</p>	<p>SCALE: 1:5</p>	<p>DATE: 12/28/2020</p>	<p>TIME: 10:50</p>	<p>USER: CW</p>	<p>PROJECT: 14" C515 NRS GEARED RESILIENT WEDGE GATE VALVE</p>	<p>SCALE: 1:5</p>	<p>DATE: 12/28/2020</p>

14" C515 MJ X TAP

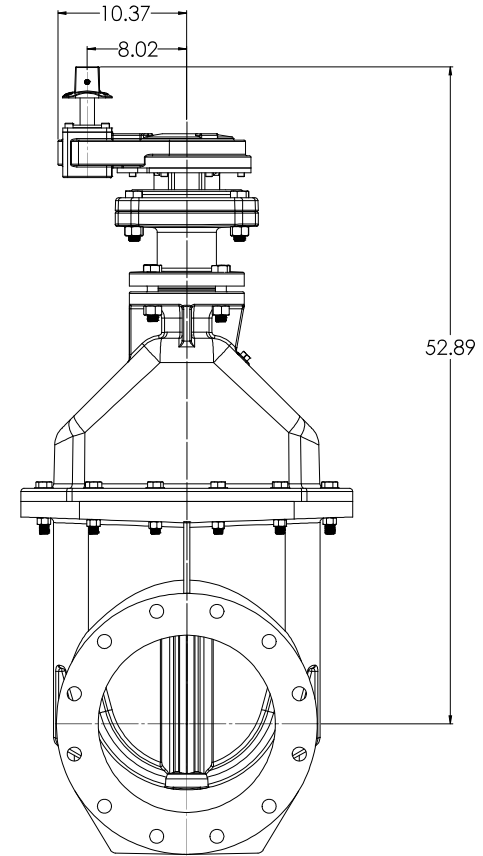


CLW CLW Valve Co.		14" C515 NRS GEARED RESILIENT WEDGE GATE VALVE		2 8	D
DATE: 12/23/2020 TIME: 10:00 AM DRAWN BY: CW	CHECKED BY: [Signature] APPROVED BY: [Signature]	PROJECT: [Blank] SHEET NO.: [Blank]	SCALE: 1:5 MATERIAL: LBS	PART NO.: [Blank]	REV: [Blank]

BEVEL GEAR WITH OPERATING NUT

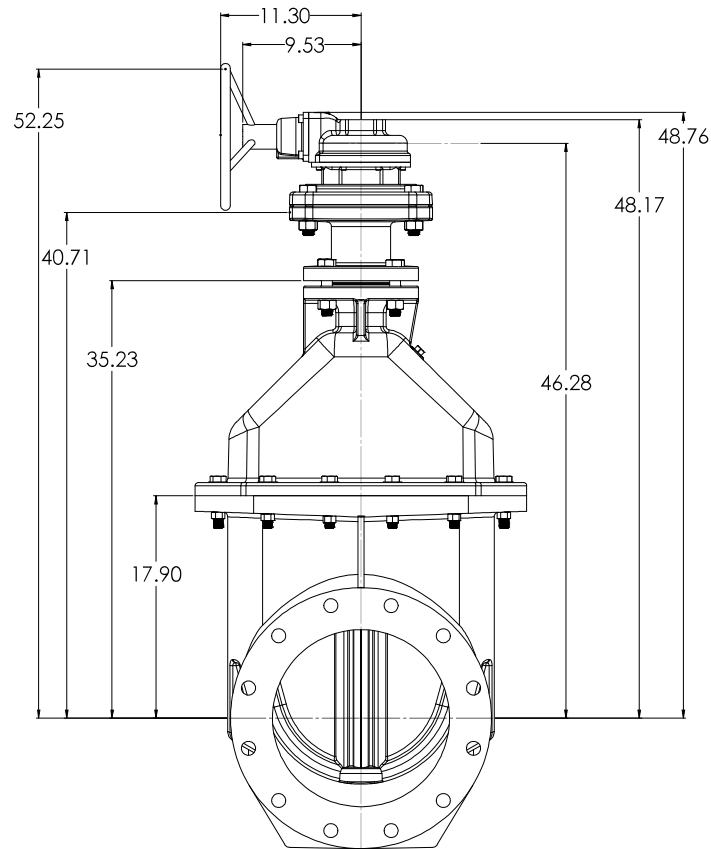


SPUR GEAR WITH OPERATING NUT

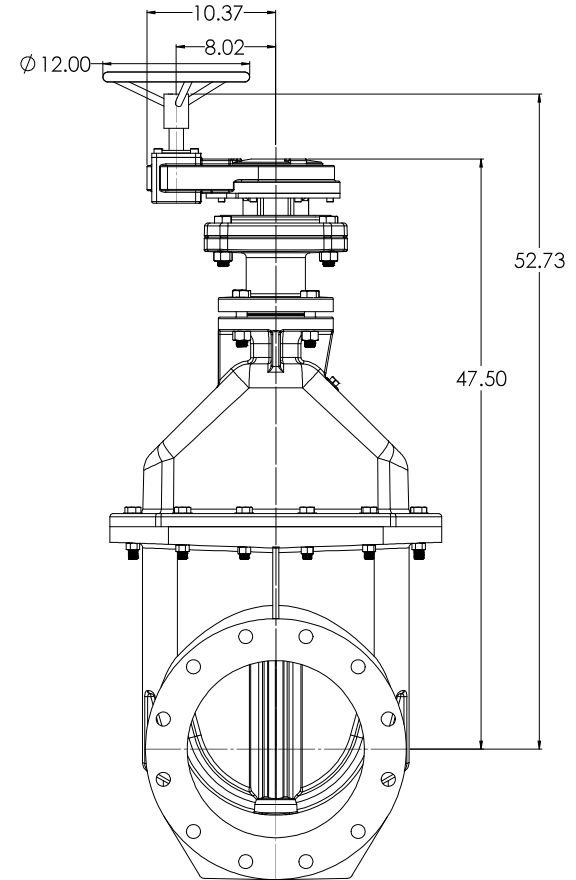


CLW CONSTRUCTION LUBRICATION WORKS		14" CS15 NRS GEARED RESILIENT WEDGE GATE VALVE		CLW CONSTRUCTION LUBRICATION WORKS
DATE: 12/23/2020 DWG NO: 21007 REV: 1 DESIGNED BY: [Redacted] CHECKED BY: [Redacted]	PROJECT NO: [Redacted] PROJECT NAME: [Redacted]	SCALE: T:10 SHEET NO: 3 TOTAL SHEETS: 8	MATERIAL: LBS WEIGHT: [Redacted]	DRAWN BY: [Redacted] DATE: 12/23/2020

BEVEL GEAR WITH HANDWHEEL

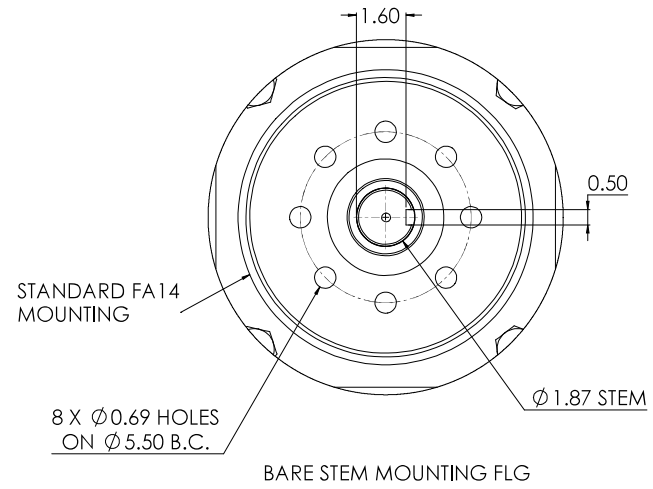
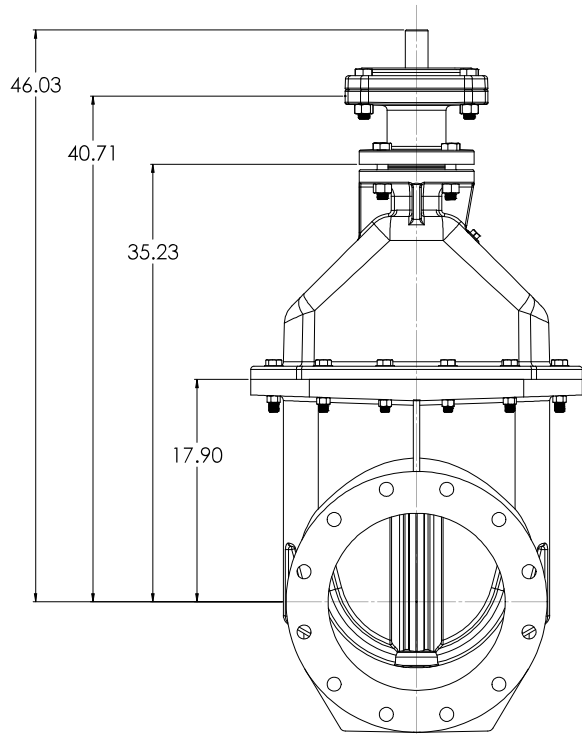


SPUR GEAR WITH HANDWHEEL

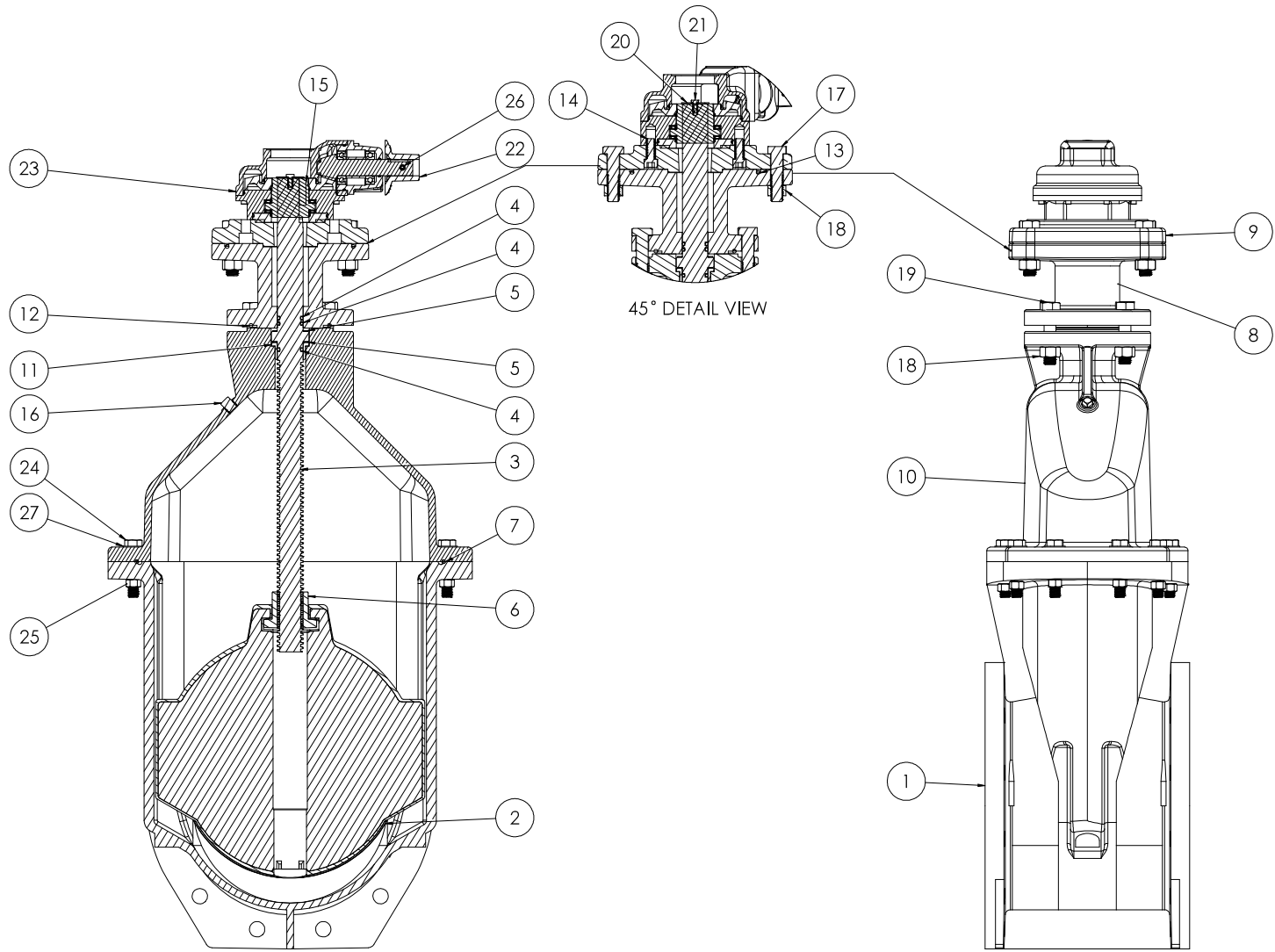


CLW CONSTRUCTION LUBRICATION WORKS		14" CS15 NRS GEARED RESILIENT WEDGE GATE VALVE		CLW CONSTRUCTION LUBRICATION WORKS
DATE: 12/23/2020 DWG NO: 1223/2020 REV: 1 DESIGNED BY: [Name] CHECKED BY: [Name]	PROJECT NO: [Number] PROJECT NAME: [Name] CLIENT: [Name]	SCALE: T:10 SHEET NO: 4 TOTAL SHEETS: 8	MATERIAL: LBS WEIGHT: [Value]	DRAWN BY: [Name] DATE: 12/23/2020

BARE STEM



CLW <small>CONSTRUCTION LOGIC WORKS</small>		<small>14" CS18 NRS GEARED RESILIENT WEDGE GATE VALVE</small>		<small>REVISED</small> A	CLW <small>CONSTRUCTION LOGIC WORKS</small>
<small>DATE</small> 12/15/2020	<small>PROJECT</small> 12/15/2020	<small>SCALE</small> 1:10	<small>WEIGHT</small> LBS	<small>REVISED</small> 5	<small>REVISED</small> D
<small>DATE</small> 12/15/2020	<small>PROJECT</small> 12/15/2020	<small>SCALE</small> 1:10	<small>WEIGHT</small> LBS	<small>REVISED</small> 5	<small>REVISED</small> D
<small>DATE</small> 12/15/2020	<small>PROJECT</small> 12/15/2020	<small>SCALE</small> 1:10	<small>WEIGHT</small> LBS	<small>REVISED</small> 5	<small>REVISED</small> D
<small>DATE</small> 12/15/2020	<small>PROJECT</small> 12/15/2020	<small>SCALE</small> 1:10	<small>WEIGHT</small> LBS	<small>REVISED</small> 5	<small>REVISED</small> D



CLW CLW Valve Co.		14" CS15 NRS GATED RESILIENT WEDGE GATE VALVE		6	D
DATE: 12/05/2008	DRAWN BY: [Name]	CHECKED BY: [Name]	APPROVED BY: [Name]	SCALE: 1:10	SHEET NO. 6
SIZE: 14"	WEIGHT: 2500 LBS	PRESSURE: 150 PSI	MATERIAL: CS15 NRS	STANDARD: ASME B16.34	PROJECT NO. [Number]
MANUFACTURED IN: USA	DRAWING NO. [Number]	REV. NO. [Number]	DATE: 12/05/2008	SCALE: 1:10	SHEET NO. 6

<u>ITEM NO.</u>	<u>COMPONENT</u>	<u>QTY.</u>	<u>SIZE</u>	<u>STANDARD MATERIAL</u>	<u>MATERIAL OPTIONS</u>
1	BODY	1	-	DUCTILE IRON	-
2	WEDGE	1	-	EPDM/DUCTILE IRON	-
3	STEM	1	-	C86700	C86200, C99500 (LOW ZINC), 304 SS, 316 SS
4	O-RING	3	#325	EPDM	BUNA-N
5	THRUST WASHER	2	-	ACETAL	C26000
6	STEM NUT	1	-	C87850	C99500 (LOW ZINC)
7	O-RING	1	#463	EPDM	BUNA-N
8	EXTENSION PLATE	1	-	DUCTILE IRON	-
9	ADAPTER PLATE	1	-	DUCTILE IRON	-
10	COVER	1	-	DUCTILE IRON	-
11	COVER BUSHING	1	-	C87850	-
12	O-RING	1	#433	EPDM	BUNA-N
13	O-RING	1	#447	EPDM	BUNA-N
14	HEX HEAD CAP SCREW	4	5/8"-11 X 1 1/2"	18-8 SS	316 SS
15	KEY	1	1/2" X 2"	18-8 SS	316 SS
16	PIPE PLUG	1	1/2" - NPT	18-8 SS	316 SS
17	HEX HEAD CAP SCREW	4	7/8"-9 X 3 1/2"	18-8 SS	316 SS
18	HEX NUT	8	7/8"-9	18-8 SS	316 SS
19	HEX HEAD CAP SCREW	4	7/8"-9 X 4"	18-8 SS	316 SS
20	WASHER	1	5/16" X 2"	18-8 SS	316 SS
21	HEX HEAD CAP SCREW	1	5/16"-18 X 3/4"	18-8 SS	316 SS
22	OPERATING NUT	1	-	CAST IRON	C86700, DUCTILE IRON **Ø 12" HANDWHEEL**
23	BEVEL GEAR	1	-	-	SPUR GEAR
24	HEX HEAD CAP SCREW	12	3/4"-10 X 3 3/4"	18-8 SS	316 SS
25	HEX NUT	12	5/8"-11	18-8 SS	316 SS
26	COILED SPRING PIN	1	10mm X 45mm	302/304 SS	-
27	WASHER	12	3/4"	18-8 SS	316 SS

- VALVES CONFORM WITH THE FOLLOWING STANDARDS
 - AWWA C515
 - NSF 61
- LOW ZINC BRASS STEM AND STEM NUT AVAILABLE
- 100% DOMESTIC FASTENERS AND ORINGS OPTIONS AVAILABLE
- *OPEN LEFT* (COUNTERCLOCKWISE) AND *OPEN RIGHT* (CLOCKWISE) OPTIONS AVAILABLE
- TURNS TO OPEN FROM FULLY CLOSED: 104
- AWWA MAXIMUM ALLOWABLE CLOSING TORQUE 250 FT-LBS
- OPTIONAL HANDWHEEL CAN BE SUBSTITUTED FOR STANDARD 2" SQUARE OP. NUTS.
 - ****NOTE: STANDARD HANDWHEEL SIZE LISTED OUT IN PARTS LIST.****

COMPANY: CLW ADDRESS: 1100 W. 10TH ST. SUITE 100 DENVER, CO 80202 TEL: 303.733.1100 FAX: 303.733.1101 WWW: WWW.CLW.COM		PROJECT: 14" CS15 NRS GEARED RESILIENT WEDGE GATE VALVE LBS. T:10 DATE: 12/05/2008 DRAWN BY: T:10 CHECKED BY: T:10 APPROVED BY: T:10		SHEET NO. 7 TOTAL SHEETS 8	PROJECT NO. D
--	--	---	--	-------------------------------	---------------