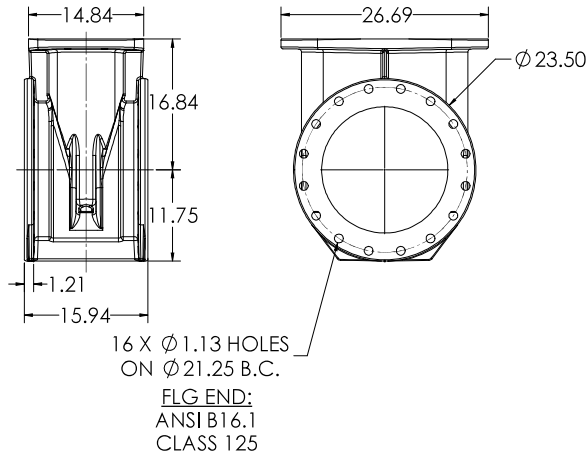
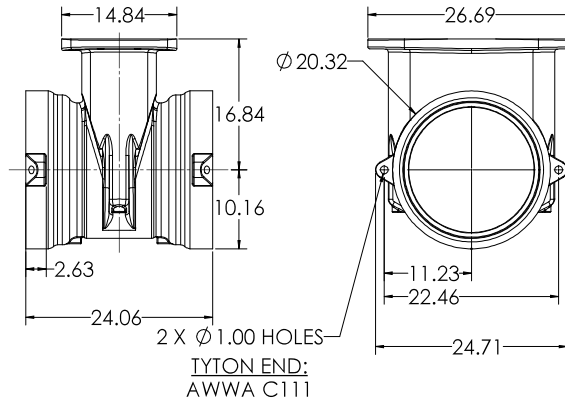


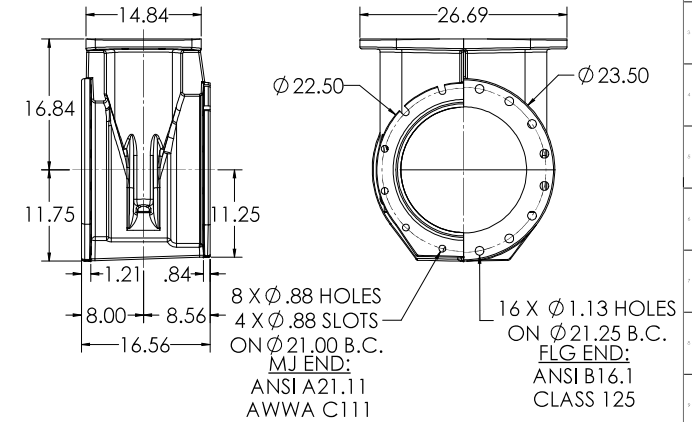
16" C515 FLG X FLG



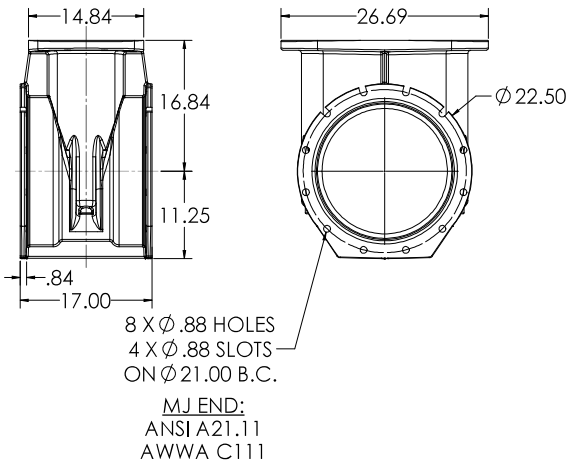
16" C515 TYTON X TYTON



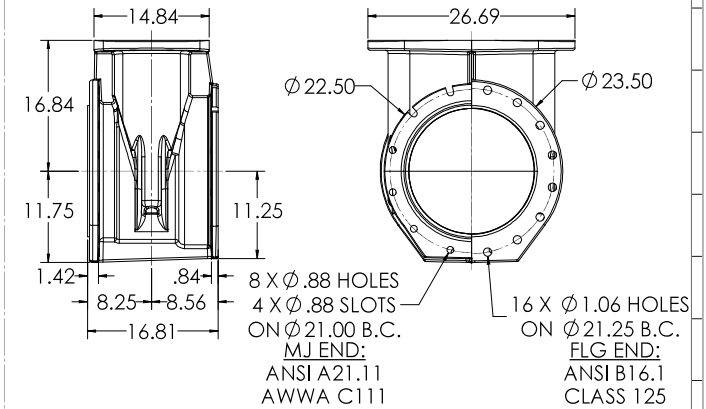
16" C515 MJ X FLG



16" C515 MJ X MJ

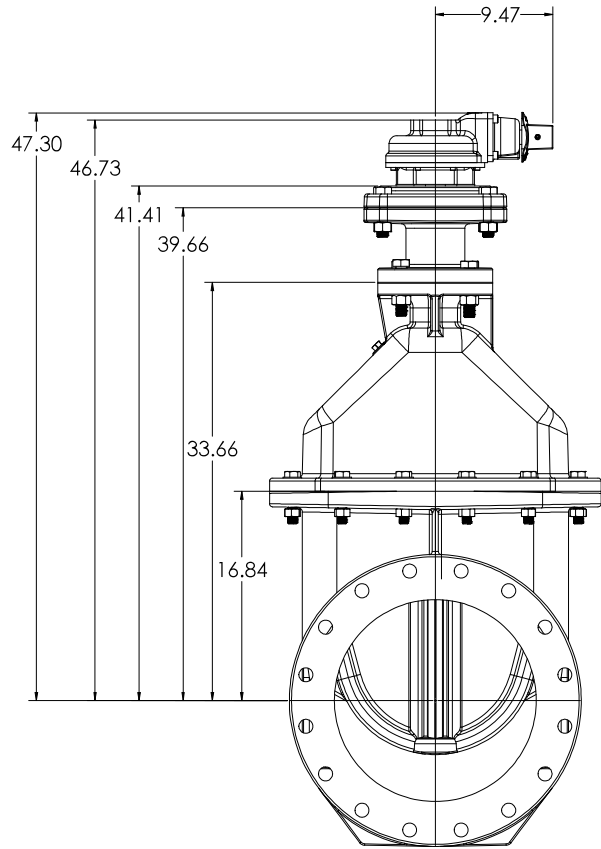


16" C515 MJ X TAP

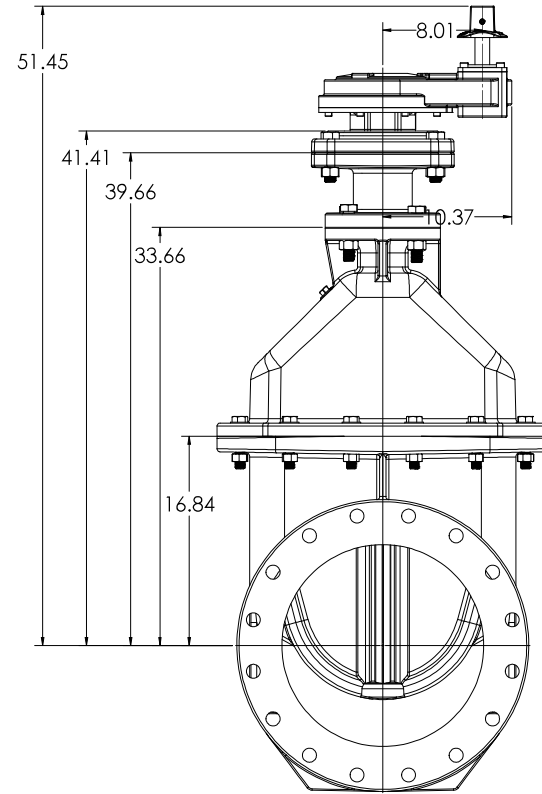


COMPANY: CLW ADDRESS: 1225 W. 12th St. CITY: CLACKAMAS, OR 97015 PHONE: 503-265-1100 FAX: 503-265-1101 WWW: www.clw.com	PROJECT: 16" C515 NRS GEARED RESILIENT WEDGE GATE VALVE LBS: T8B DATE: 12/29/2020 DRAWN BY: SJK CHECKED BY: SJK	SHEET NO: 7 OF 7 PROJECT NO: D
--	---	--------------------------------------

BEVEL GEAR WITH OPERATING NUT

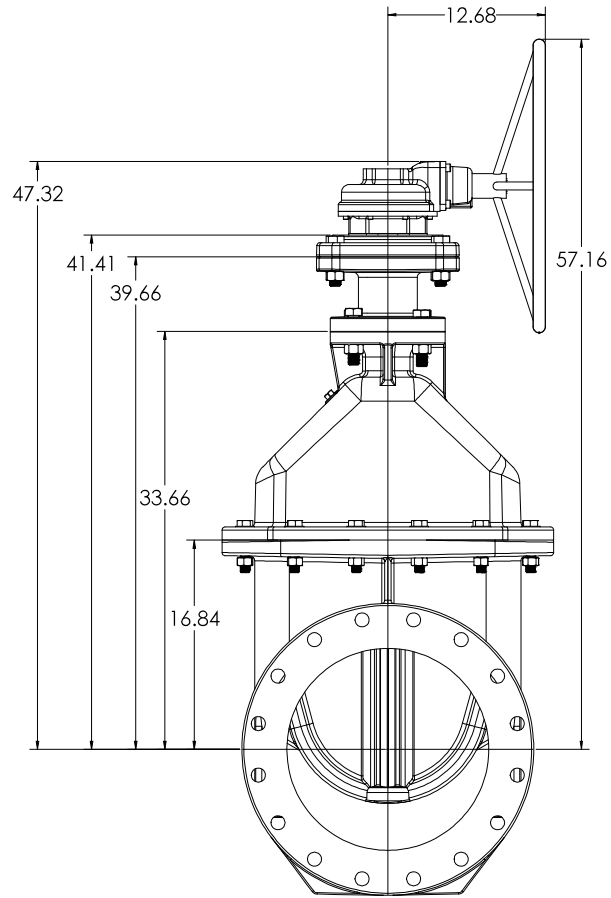


SPUR GEAR WITH OPERATING NUT

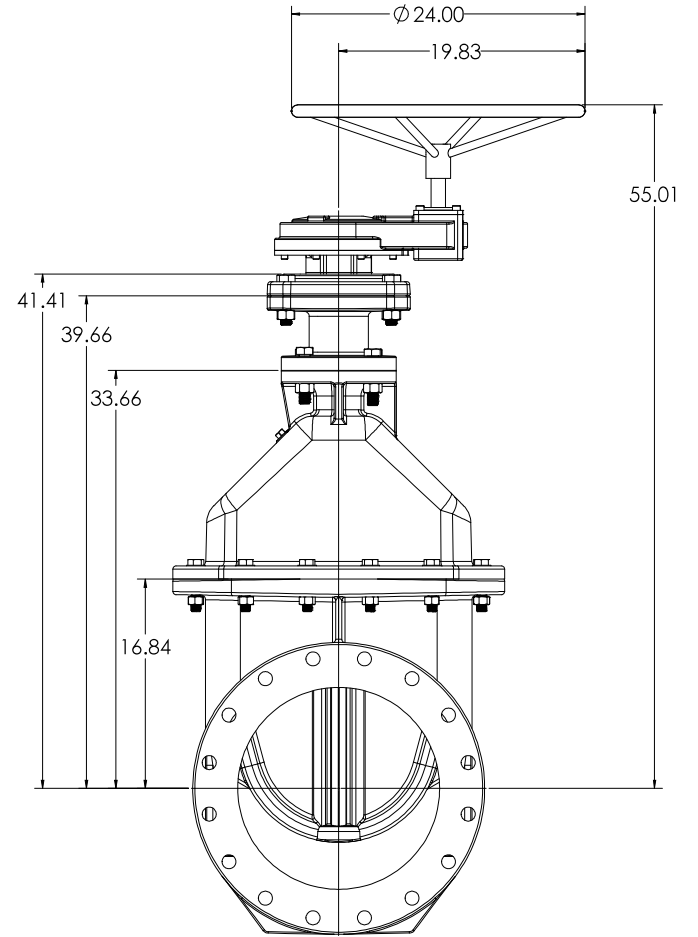


CLW CLW Valve Co.		16" CS15 NRS GEARED RESILIENT WEDGE GATE VALVE		2 7
DATE: 12/23/2020 DWG NO: 1223/2020	PROJECT NO: 1223/2020 SHEET NO: 7	SCALE: 1:5 UNIT: LBS	MATERIAL: 16" CS15 NRS GEARED RESILIENT WEDGE GATE VALVE	DRAWN BY: CW

BEVEL GEAR WITH OPERATING NUT

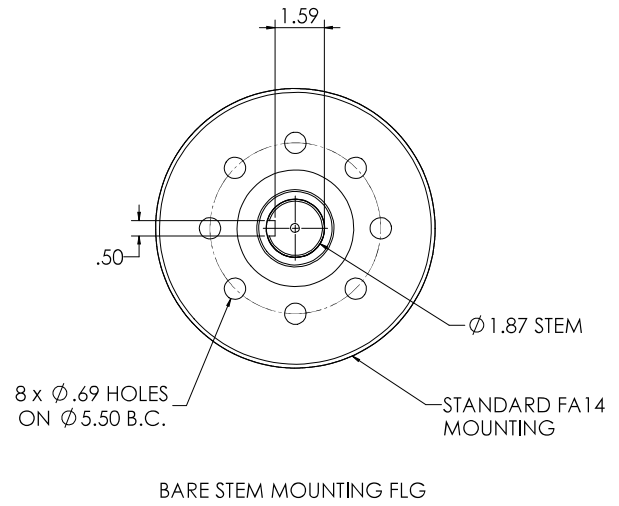
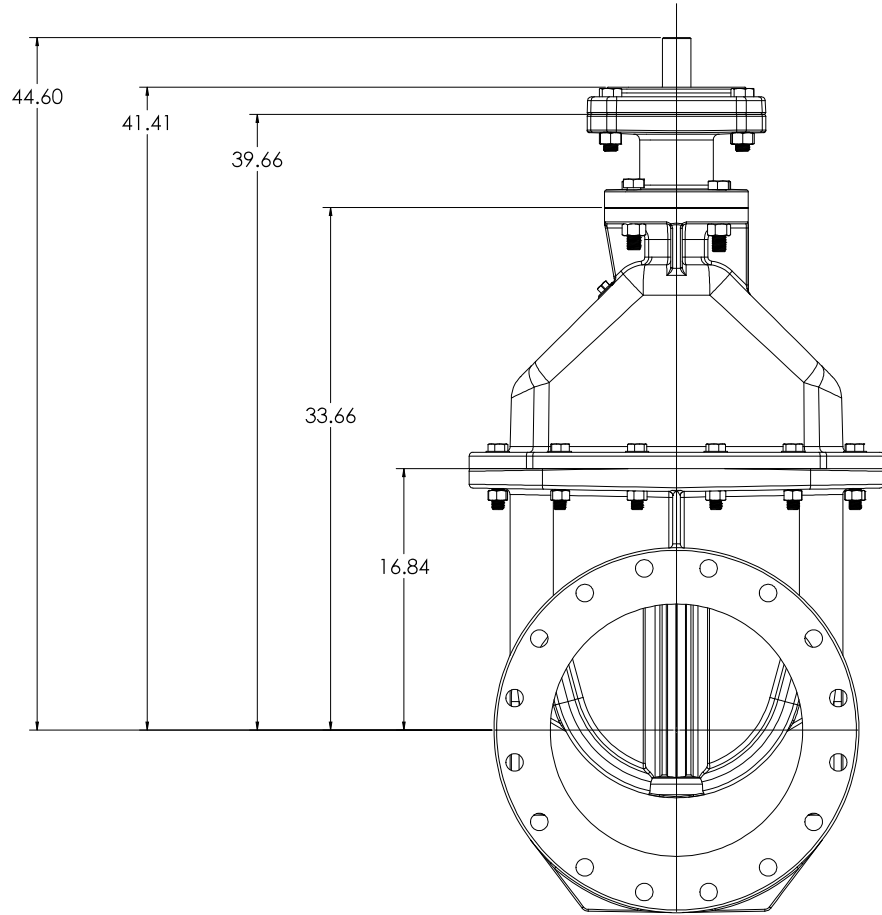


SPUR GEAR WITH OPERATING NUT



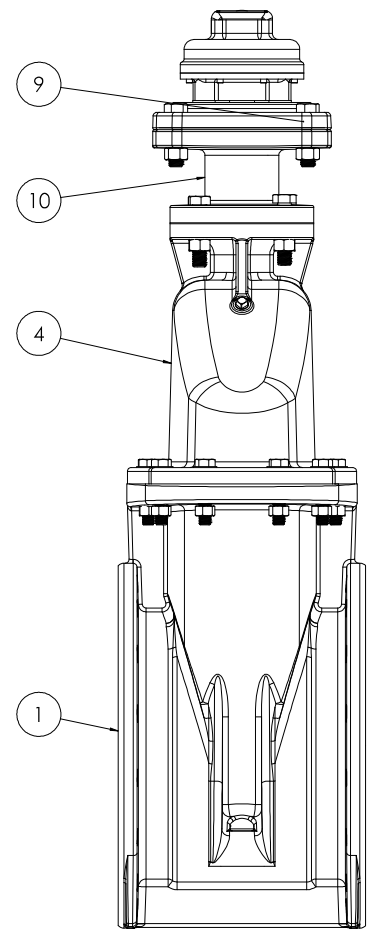
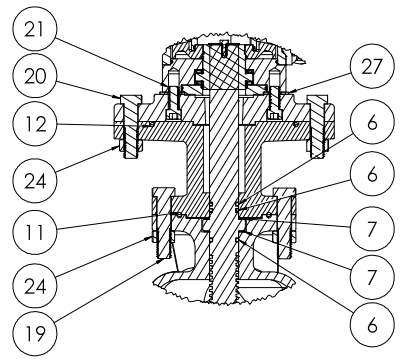
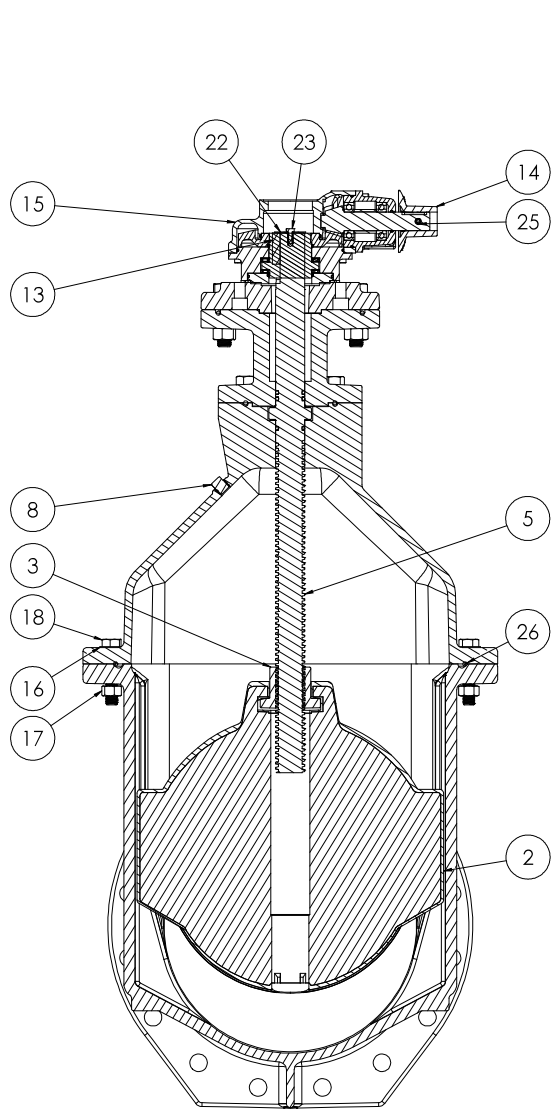
CLW CLW WORKS CO.		16" CS15 NRS GEARED RESILIENT WEDGE GATE VALVE		3 7	D
DATE: 12/1/2020 DWG NO: 21002 REV: 1 DESIGNED BY: JAC CHECKED BY: JAC	PROJECT NO: 21002 PROJECT NAME: 16" CS15 NRS GEARED RESILIENT WEDGE GATE VALVE SHEET NO: 3 TOTAL SHEETS: 7	SCALE: 1:5 UNIT: LBS	DATE: 12/1/2020 DRAWN BY: JAC CHECKED BY: JAC	PROJECT NO: 21002 PROJECT NAME: 16" CS15 NRS GEARED RESILIENT WEDGE GATE VALVE SHEET NO: 3 TOTAL SHEETS: 7	SCALE: 1:5 UNIT: LBS

BARE STEM



REV		DATE		BY		CHECKED		APP'D		SCALE		DWG NO	
1	AS SHOWN												
DESCRIPTION				QUANTITY				UNIT					
16" C515 NRS GEARED RESILIENT WEDGE GATE VALVE				4				LBS.					
PROJECT				DATE				SCALE					
CW 12/9/2020				T:4				7					

CLW
VALVE CO



COMPANY: CLW ADDRESS: 12345 Main St CITY: Anytown, CA 90210 PHONE: (555) 123-4567 FAX: (555) 987-6543 E-MAIL: sales@clw.com		PROJECT: 16" CS18 NRS GEARED RESILIENT WEDGE GATE VALVE DRAWING NO: 12345678 DATE: 12/31/2020 SCALE: T:4 SHEET NO: 5 OF 7		PROJECT NO: A DRAWING NO: 12345678 DATE: 12/31/2020 SCALE: T:4 SHEET NO: 5 OF 7	PROJECT: 16" CS18 NRS GEARED RESILIENT WEDGE GATE VALVE DRAWING NO: 12345678 DATE: 12/31/2020 SCALE: T:4 SHEET NO: 5 OF 7
--	--	---	--	---	---

<u>ITEM NO.</u>	<u>COMPONENT</u>	<u>QTY.</u>	<u>SIZE</u>	<u>STANDARD MATERIAL</u>	<u>MATERIAL OPTIONS</u>
1	BODY	1	-	DUCTILE IRON	-
2	WEDGE	1	-	EPDM/DUCTILE IRON	-
3	STEM NUT	1	-	C87850	C99500 (LOW ZINC)
4	COVER	1	-	DUCTILE IRON	-
5	STEM	1	-	C86700	C99500 (LOW ZINC), 304 SS, 316 SS
6	O-RING	3	#325	EPDM	BUNA-N
7	THRUST WASHER	2	-	NYLATRON	-
8	PIPE PLUG	1	1/2"-NPT	304 SS	316 SS
9	ADAPTER PLATE	1	-	DUCTILE IRON	-
10	EXTENSION PLATE	1	-	DUCTILE IRON	-
11	O-RING	1	#433	EPDM	BUNA-N
12	O-RING	1	#447	EPDM	BUNA-N
13	KEY	1	1/2" X 2"	18-8 SS	316 SS
14	OPERATING NUT	1	-	CAST IRON	DUCTILE IRON, C86700, ** ϕ 24" HANDWHEEL**
15	BEVEL GEAR	1	-	-	-
16	WASHER	12	WASHER	18-8 SS	316 SS
17	HEX NUT	12	3/4"-10	18-8 SS	316 SS
18	HEX HEAD CAP SCREW	12	3/4"-10 X 3 3/4"	18-8 SS	316 SS
19	HEX HEAD CAP SCREW	4	7/8"-9 X 4"	18-8 SS	316 SS
20	HEX HEAD CAP SCREW	4	7/8"-9 X 3 1/2"	18-8 SS	316 SS
21	HEX HEAD CAP SCREW	4	5/8"-11 X 1 1/2"	18-8 SS	316 SS
22	WASHER	1	5/16" X 2"	18-8 SS	316 SS
23	HEX HEAD CAP SCREW	1	HEX HEAD CAP SCREW	18-8 SS	316 SS
24	HEX NUT	8	7/8"-9	18-8 SS	316 SS
25	COILED SPRING PIN	1	10MM X 45MM	302/304 SS	-
26	O-RING	1	#463	EPDM	BUNA-N
27	GASKET	1	-	BUNA-N	-

- VALVES CONFORM WITH FOLLOWING STANDARDS
 - AWWA C515
 - NSF 61
- LOW ZINC BRASS STEM AND STEM NUT AVAILABLE
- 100% DOMESTIC FASTENER AND O-RING OPTIONS AVAILABLE
- OPEN LEFT (COUNTERCLOCKWISE) AND OPEN RIGHT (CLOCKWISE) OPTIONS AVAILABLE
- TURNS TO OPEN FROM FULLY CLOSED: 104 (\pm 5%)
- AWWA MAXIMUM ALLOWABLE CLOSING TORQUE 250 FT-LBS INTO GEAR
- OPTIONAL HANDWHEEL CAN BE SUBSTITUTED FOR STANDARD 2" SQUARE OP NUTS
 - **NOTE: STANDARD HANDWHEEL SIZE CALLED OUT IN PARTS LIST**

<small> COMPANY: CLW ADDRESS: 11000 W. 11TH AVE. DENVER, CO 80233 PHONE: 303.440.1100 FAX: 303.440.1101 WWW: WWW.CLW.COM </small>		<small> PRODUCT: 16" CS15 NRS GEARED RESILIENT WEDGE GATE VALVE LBS. </small>		<small> DRAWING NO.: 12302020 REV: 1 </small>	<small> DATE: 12/3/2020 TIME: 1:4 </small>	<small> PROJECT: 2016 SP2 </small>	<small> SHEET NO.: 6 TOTAL SHEETS: 7 </small>	<small> CLW 12302020 </small>
--	--	--	--	--	---	--	--	--