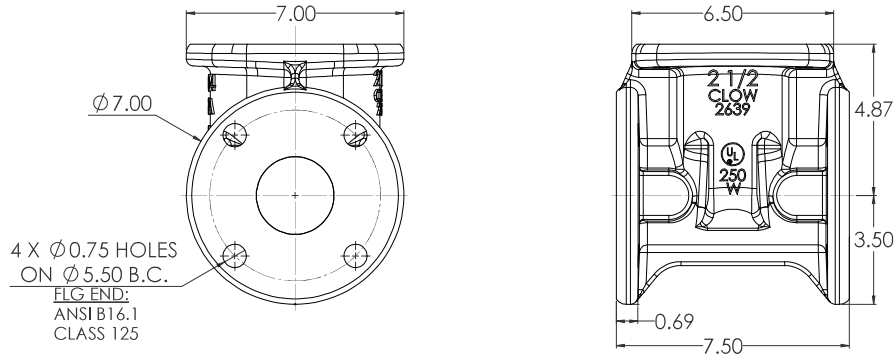
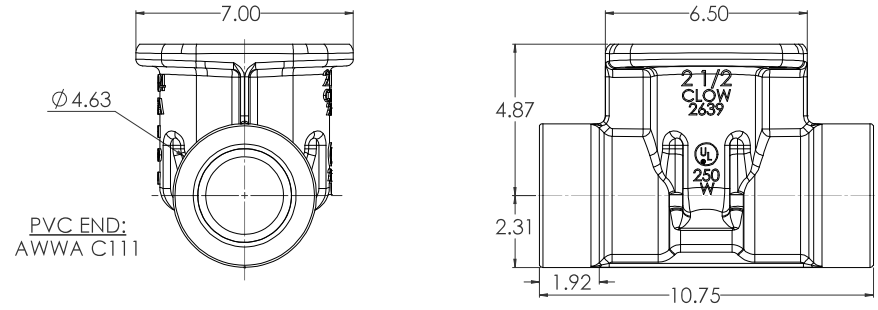


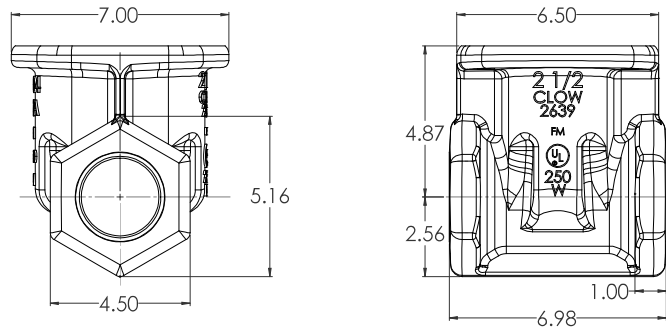
02 1/2" C509 FLG X FLG



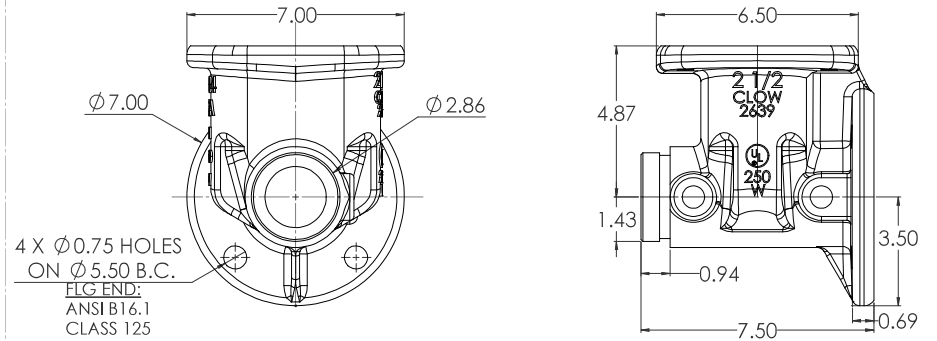
02 1/2" C509 PVC X PVC



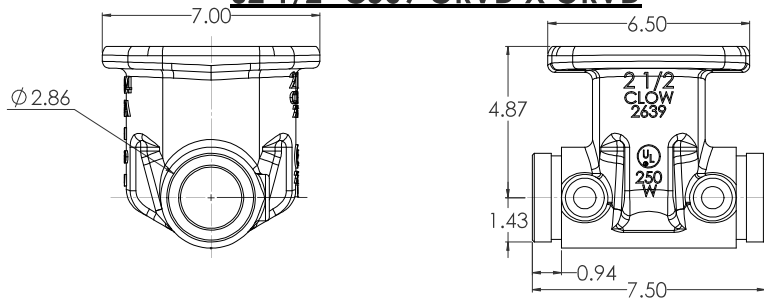
02 1/2" C509 THRD X THRD



02 1/2" C509 FLG X GRVD

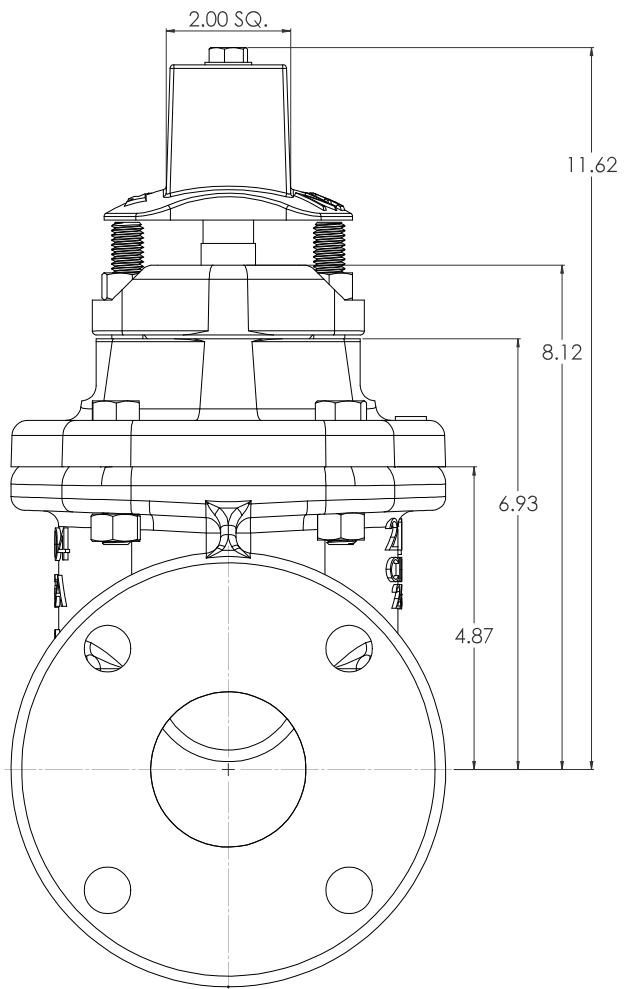


02 1/2" C509 GRVD X GRVD

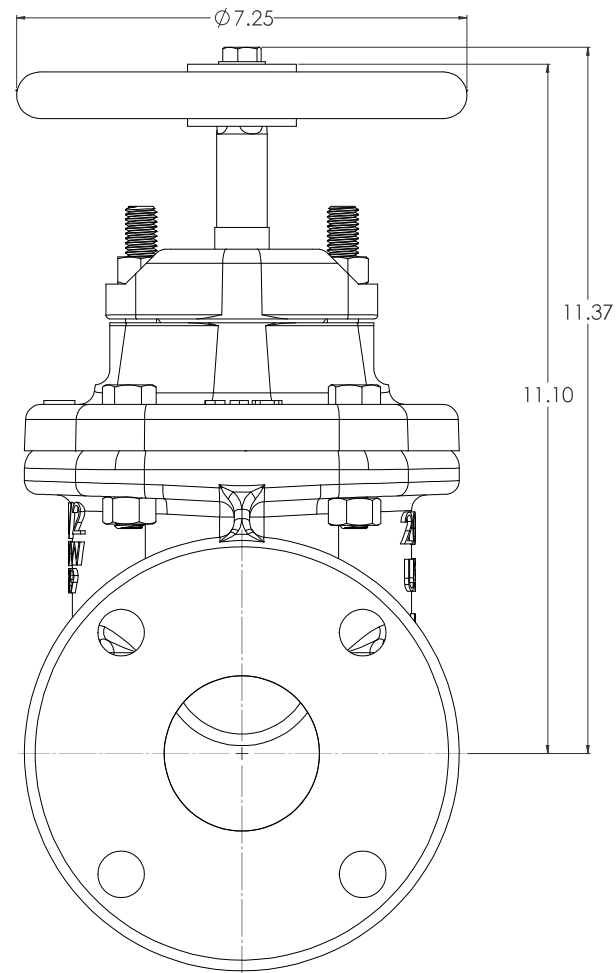


REVISIONS NO. DATE BY DESCRIPTION 1 12/1/2020 CW 12/1/2020		PROJECT INFORMATION PROJECT: 02 1/2" C509 NRS RESILIENT LBS: WEDGE GATE VALVE T: 1:2 Scale: 1:2 Date: 12/1/2020		CLW 12/1/2020 5 D
---	--	---	--	-----------------------------------

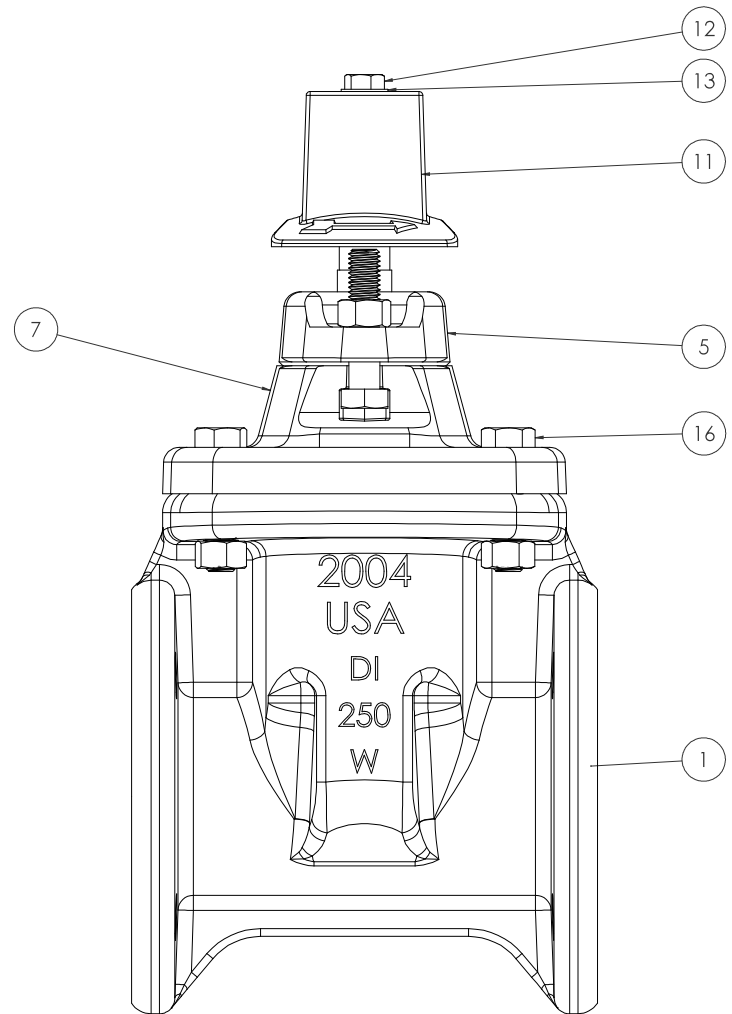
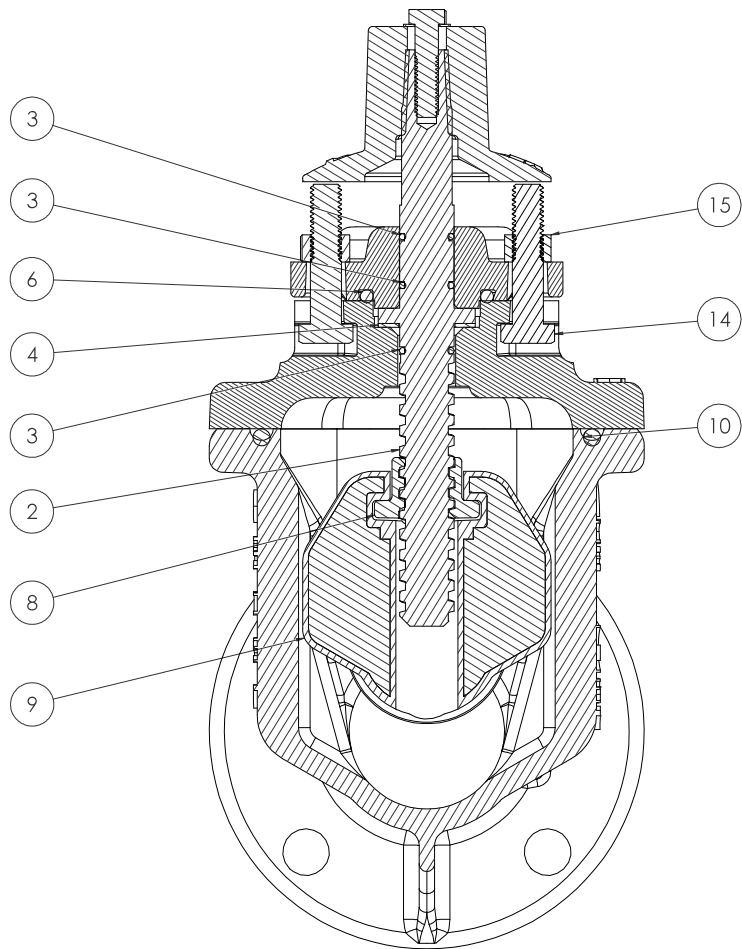
O-RING PLATE WITH OPERATING NUT



O-RING PLATE WITH HANDWHEEL



CLW <small>CLW Valve Co.</small>		<small>02 1/2" CS09 NRS RESILIENT WEDGE GATE VALVE</small>		<small>REV. A</small>	
<small>DATE</small> <small>BY</small> <small>CHKD</small> <small>APP'D</small>	<small>REVISED</small> <small>DATE</small> <small>BY</small> <small>CHKD</small>	<small>PROJECT NO.</small> <small>DATE</small> <small>SCALE</small>	<small>PROJECT NAME</small> <small>DATE</small> <small>SCALE</small>	<small>DESIGNER</small> <small>DATE</small> <small>SCALE</small>	<small>DRWING NO.</small> <small>DATE</small> <small>SCALE</small>
<small>02 1/2" CS09 NRS RESILIENT WEDGE GATE VALVE</small>			<small>LBS. WEDGE GATE VALVE</small>		
<small>CW 12/1/2020</small>			<small>T:2</small>		
<small>12/1/2020</small>			<small>5</small>		



COMPANY: CLW VALVE CO. ADDRESS: 12111 W. 121st St., Overland Park, KS 66213 PHONE: (913) 666-1100 FAX: (913) 666-1101 WWW: www.clwvalve.com		DRAWING NO.: 02 1/2" CS09 NRS RESILIENT WEDGE GATE VALVE SCALE: 1:5 DATE: 12/1/2009		SHEET NO.: 3 TOTAL SHEETS: 5
DESIGNED BY: J. W. BROWN CHECKED BY: J. W. BROWN DATE: 12/1/2009	APPROVED BY: J. W. BROWN DATE: 12/1/2009	MATERIALS: 2004 DI W		DRAWN BY: J. W. BROWN DATE: 12/1/2009

CLW
VALVE CO.

<u>ITEM NO.</u>	<u>PART NUMBER</u>	<u>QTY.</u>	<u>SIZE</u>	<u>STANDARD MATERIAL</u>	<u>MATERIAL OPTIONS</u>
1	BODY	1	-	CAST IRON	DUCTILE IRON
2	STEM	1	-	C86200	C99500 (LOW ZINC), 304 SS, 316 SS
3	O-RING	3	#115	EPDM	BUNA-N
4	THRUST WASHER	1	-	ACETAL	C26000
5	O-RING PLATE	1	-	DUCTILE IRON	-
6	O-RING	1	#327	EPDM	BUNA-N
7	COVER	1	-	CAST IRON	DUCTILE IRON
8	STEM NUT	1	-	C87850	C87610 (LOW ZINC)
9	WEDGE	1	-	EPDM/DUCTILE IRON	-
10	O-RING	1	#425	EPDM	BUNA-N
11	OPERATING NUT	1	-	CAST IRON	DUCTILE IRON, **7.25" DIA. HANDWHEEL**
12	HEX HEAD CAP SCREW	1	3/8"-16 X 1 1/2"	18-8 SS	316 SS
13	WASHER	1	3/8"	18-8 SS	316 SS
14	HEX HEAD CAP SCREW	2	1/2"-13 X 2 1/4"	18-8 SS	316 SS
15	HEX NUT	6	1/2"-13	18-8 SS	316 SS
16	HEX HEAD CAP SCREW	4	1/2"-13 X 2"	18-8 SS	316 SS

- VALVES CONFORM WITH THE FOLLOWING STANDARDS
 - NSF 61
- LOW ZINC BRASS STEM AND STEM NUT AVAILABLE
- 100% DOMESTIC FASTENERS AND ORINGS OPTIONS AVAILABLE
- *OPEN LEFT* (COUNTERCLOCKWISE) AND *OPEN RIGHT* (CLOCKWISE) OPTIONS AVAILABLE
- TURNS TO OPEN FROM FULLY CLOSED: 8
- AWWA MAXIMUM ALLOWABLE TORQUE TO CLOSE 28 FT-LB
- OPTIONAL HANDWHEEL CAN BE SUBSTITUTED FOR STANDARD 2" SQUARE OP NUTS.
 - **NOTE:STANDARD HANDWHEELS SIZE CALLED OUT IN PARTS LIST.**

<small> C:\Users\jw\OneDrive - Clow Water & Sewer Division\Documents\2020\202001\20200101\20200101_001\20200101_001.dwg 12/1/2020 10:00 AM </small>		<small> 02 1/2" CS09 NRS RESILIENT WEDGE GATE VALVE LBS. </small>	<small> 4 5 </small>	<small> A D </small>	<small> CLW 12/1/2020 </small>
--	--	--	---	---	---