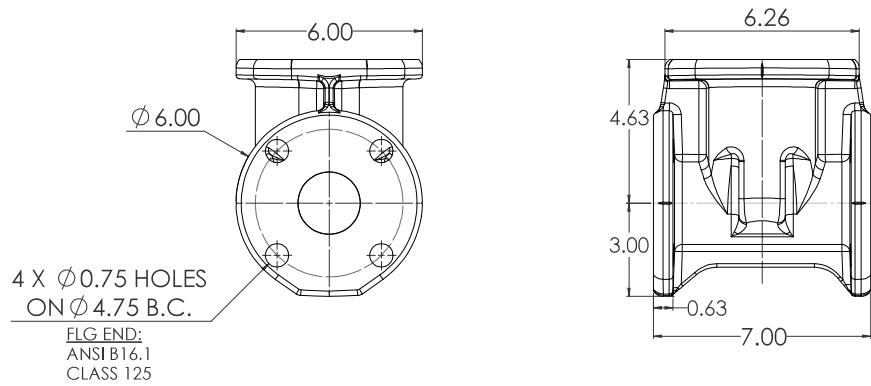
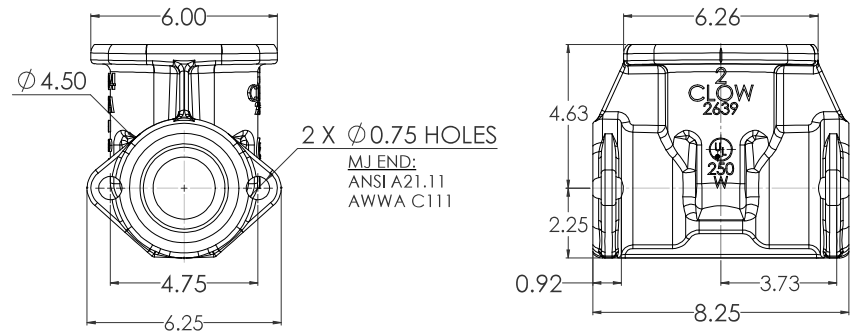


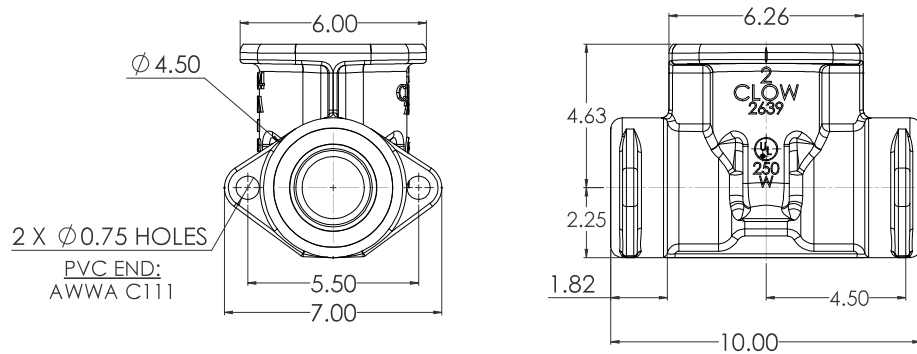
**02" C509 FLG X FLG**



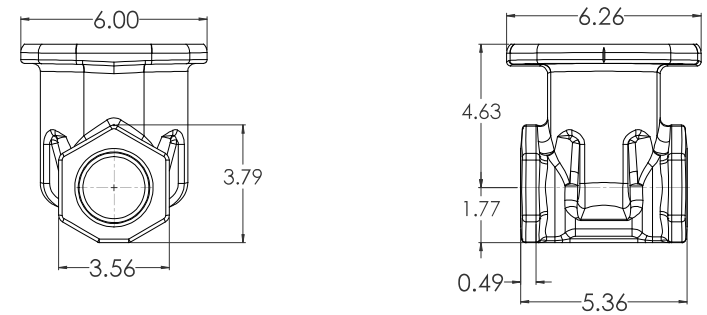
**02" C509 MJ X MJ**



**02" C509 PVC X PVC**

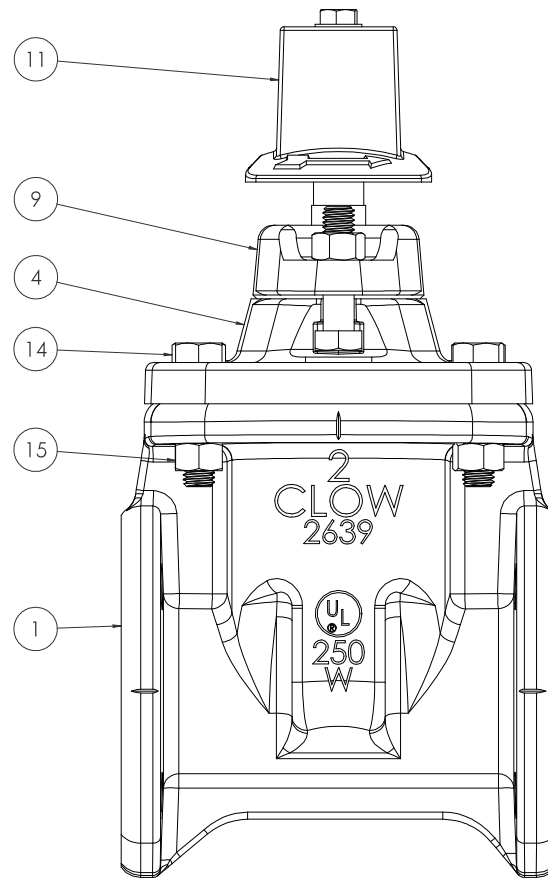
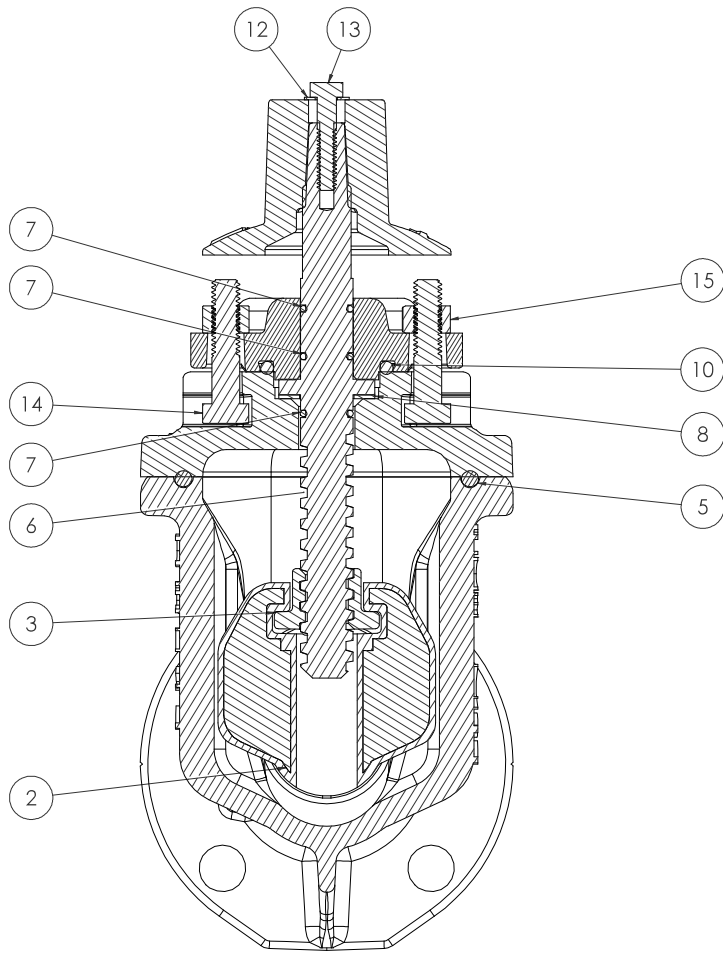


**02" C509 THRD X THRD**



|   |   |   |   |                               |
|---|---|---|---|-------------------------------|
| <b>CLOW</b><br>WATER VALVE DIV.<br>10000 W. BROAD ST., CLEVELAND, OH 44130<br>(216) 726-2000 FAX (216) 726-2001<br>WWW.CLWVALVE.COM |   | DRAWING NO. 02" C509 NRS RESILIENT WEDGE GATE VALVE<br>DATE 12/1/2008<br>DWG. NO. 02" C509 NRS RESILIENT WEDGE GATE VALVE<br>DATE 12/1/2008<br>DWG. NO. 02" C509 NRS RESILIENT WEDGE GATE VALVE<br>DATE 12/1/2008 |   | SHEET NO. 5<br>TOTAL SHEETS 5 |
| CHECKED BY: [ ]<br>DATE: [ ]<br>DESIGNED BY: [ ]<br>DATE: [ ]<br>DRAWN BY: [ ]<br>DATE: [ ]   | APPROVED BY: [ ]<br>DATE: [ ]<br>CHECKED BY: [ ]<br>DATE: [ ]<br>DRAWN BY: [ ]<br>DATE: [ ] | TITLE: 02" C509 NRS RESILIENT WEDGE GATE VALVE<br>LBS.  | SCALE: 1:2<br>DATE: 12/1/2008<br>DWG. NO.: 02" C509 NRS RESILIENT WEDGE GATE VALVE<br>DATE: 12/1/2008 | SHEET NO. 5<br>TOTAL SHEETS 5 |





|   |  |   |  |                                       |  |                               |  |  |  |   |  |   |  |
|---|--|---|--|---------------------------------------|--|-------------------------------|--|--|--|---|--|---|--|
| CLOW VALVE CO.<br>15000 W. 15th St., Tulsa, OK 74107<br>(918) 438-2200<br>FAX (918) 438-2201<br>WWW.CLOWVALVE.COM |  | DIVISION OF THE CLOW GROUP<br>15000 W. 15th St., Tulsa, OK 74107<br>(918) 438-2200<br>FAX (918) 438-2201<br>WWW.CLOWVALVE.COM |  | DRAWING NO. 1571/2639<br>REV. 01/2020 |  | SHEET NO. 3<br>TOTAL SHEETS 5 |  | PROJECT NO. A<br>PROJECT NAME 02" C509 NRS RESILIENT WEDGE GATE VALVE<br>SCALE 1:5<br>DATE 01/2020 |  | DRAWN BY<br>CHECKED BY<br>APPROVED BY<br>DATE |  | CLOW VALVE CO.<br>15000 W. 15th St., Tulsa, OK 74107<br>(918) 438-2200<br>FAX (918) 438-2201<br>WWW.CLOWVALVE.COM |  |
|---|--|---|--|---------------------------------------|--|-------------------------------|--|--|--|---|--|---|--|

