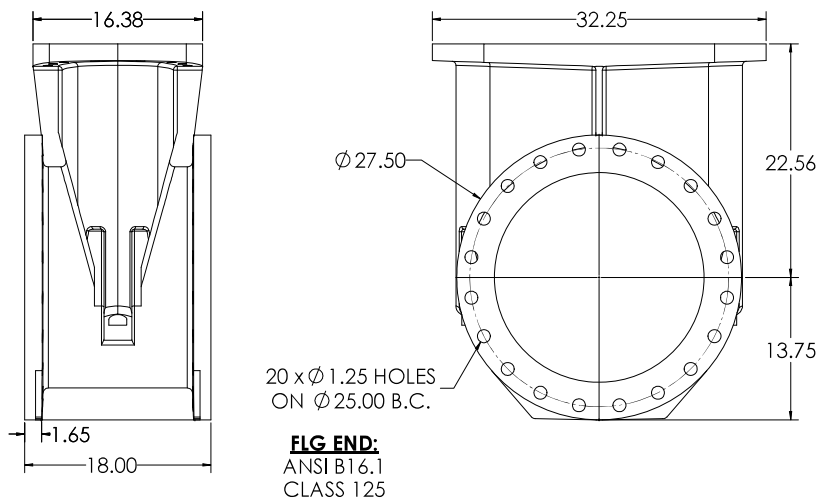
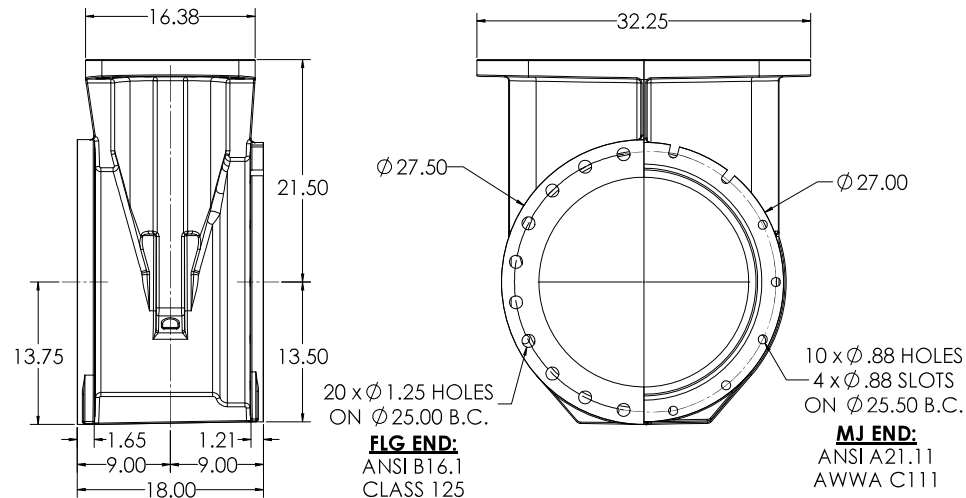


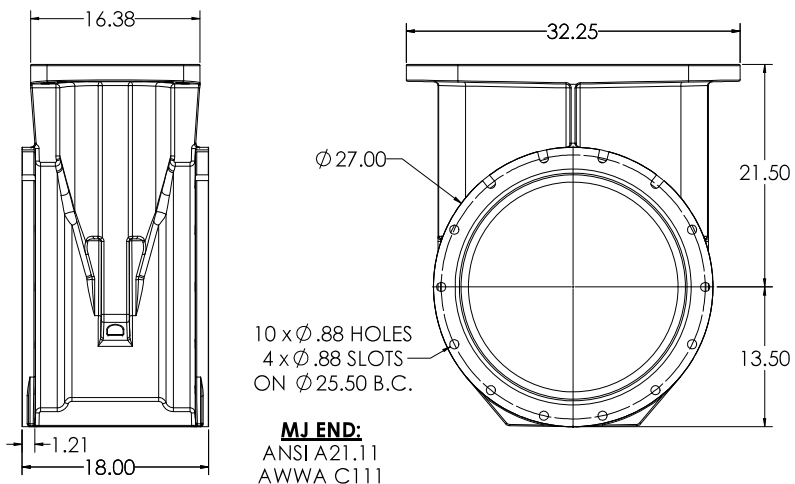
**20" C515 FLG X FLG**



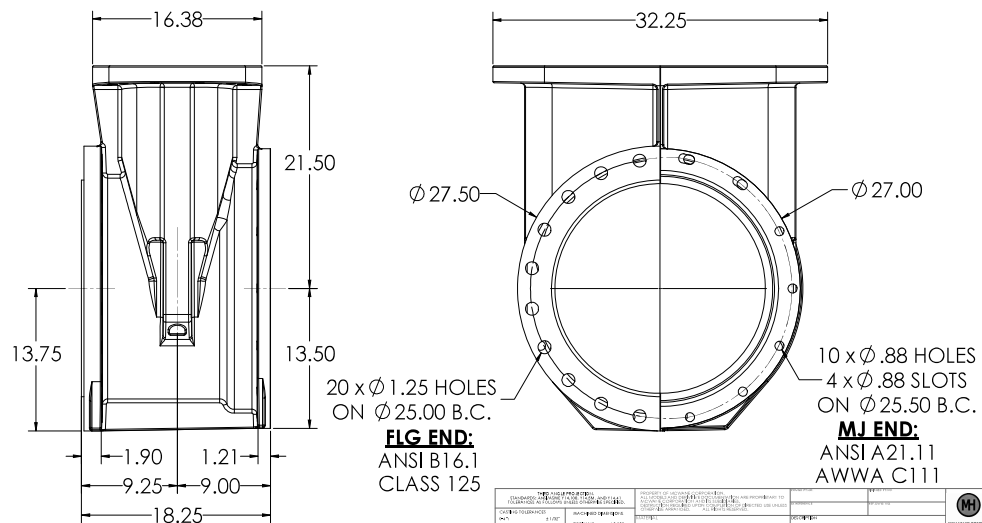
**20" C515 FLG X MJ**



**20" C515 MJ X MJ**

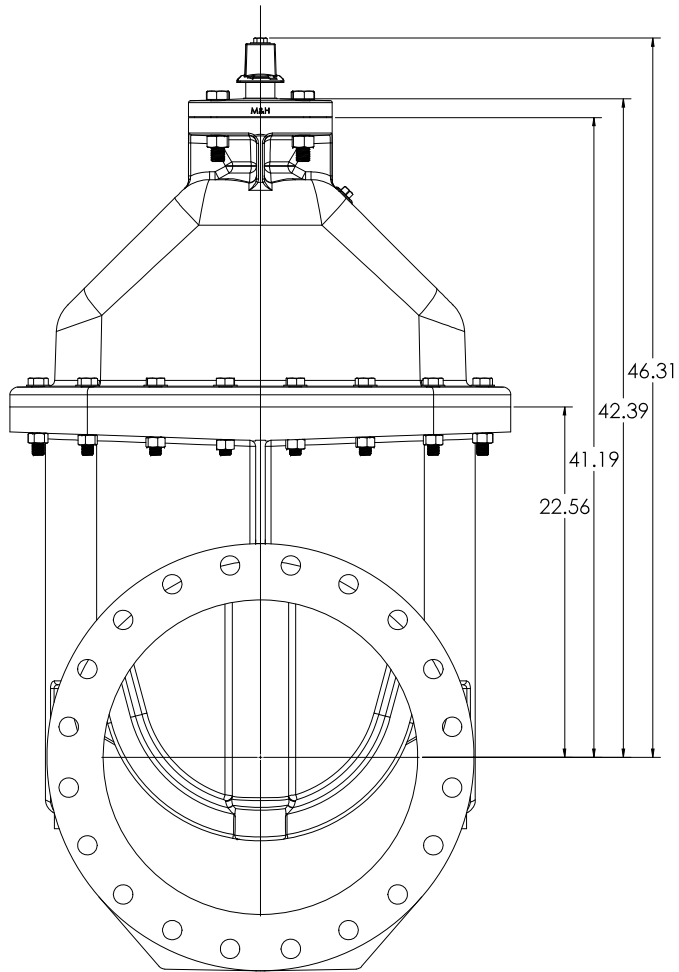


**20" C515 TAP X MJ**

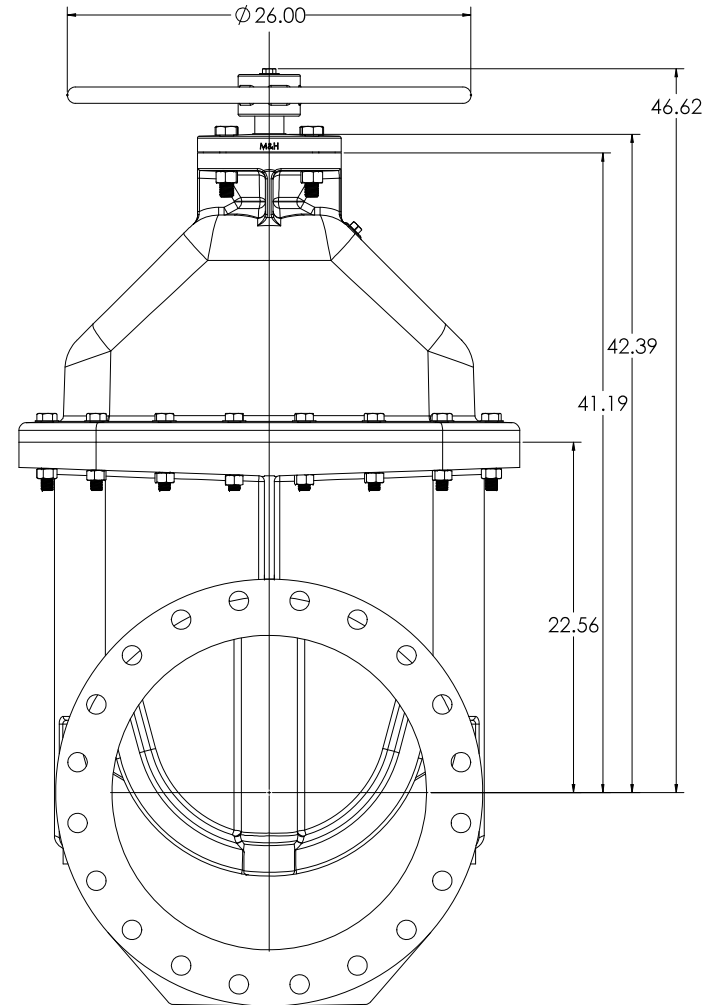


COMPANY: <b>WATKINS</b> ADDRESS: 10000 WATKINS BLVD CITY: WATKINSVILLE, VA 22786 PHONE: 540-867-1000 FAX: 540-867-1001 WWW: WWW.WATKINSVALVE.COM	PROJECT: <b>20" C515 NRS RESILIENT WEDGE GATE VALVE</b> LBS: <b>176</b> T&G: <b>176</b>	DATE: <b>1/20/2016</b> DRAWN: <b>DWI</b> CHECKED: <b>1/20/2016</b> DESIGNED: <b>1/20/2016</b> APPROVED: <b>1/20/2016</b>	SHEET NO: <b>5</b> TOTAL SHEETS: <b>5</b> SCALE: <b>1:1</b> PROJECT NO: <b>104320</b> DATE PLOTTED: <b>1/20/2016 10:00 AM</b> PLOTTER: <b>HP DesignJet 5000</b>
---	---	--	--

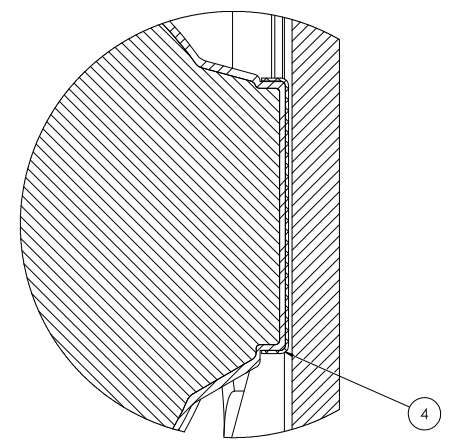
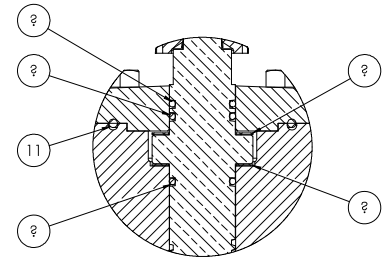
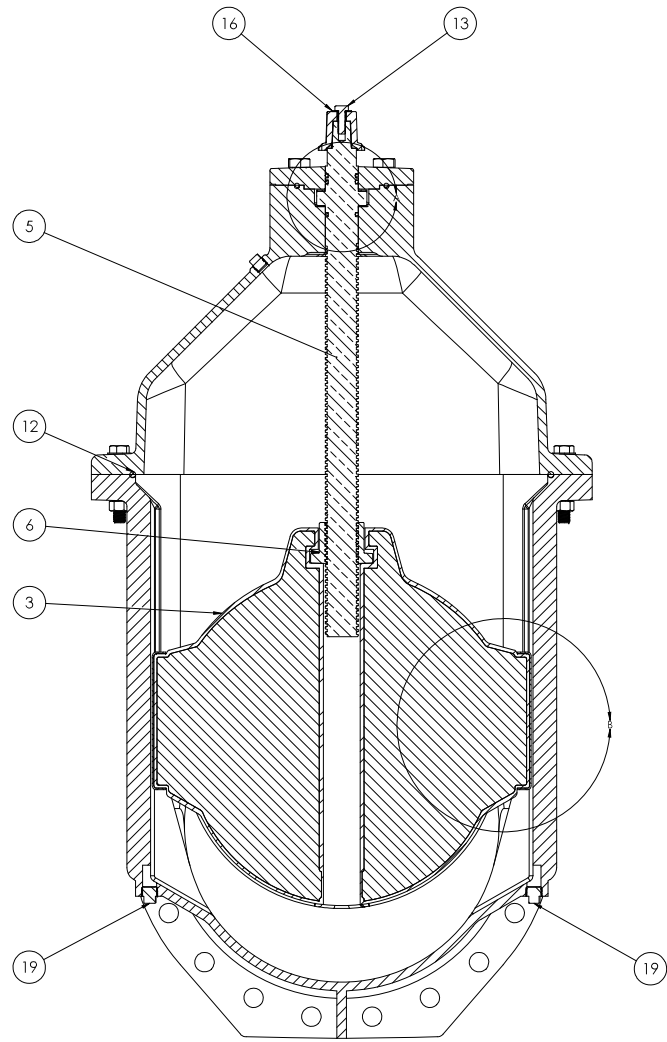
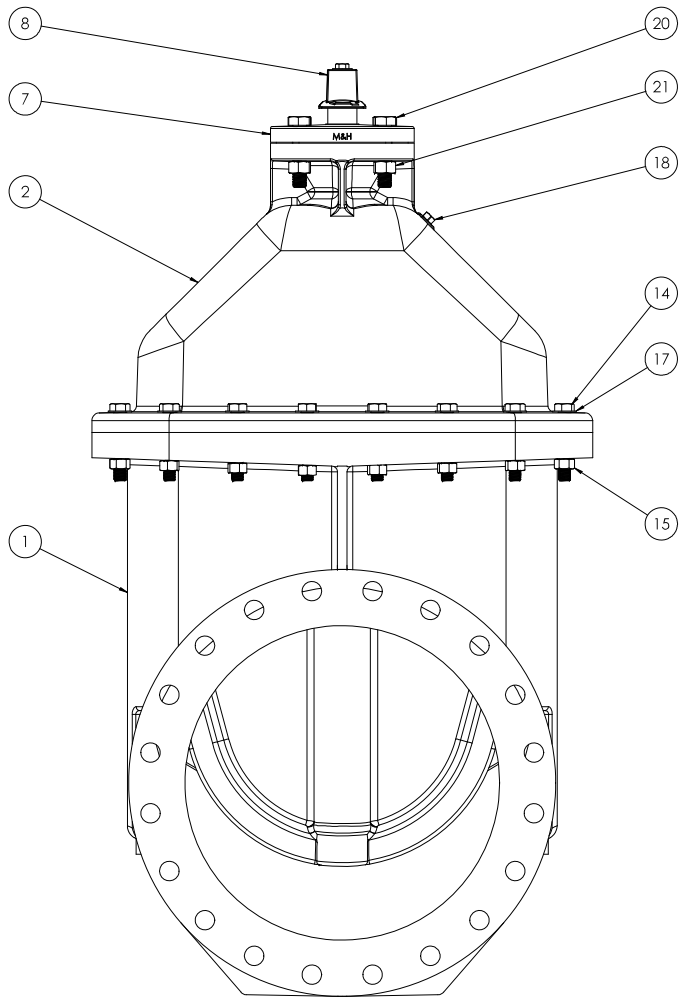
**OPERATING NUT WITH O-RING PLATE**



**HANDWHEEL WITH O-RING PLATE**



DWG NO: 124320 DATE: 01/11/2016 DRAWN: DWI CHECKED: TSC APPROVED: [Signature]		PROJECT: 20' CS18 NRS RESILIENT WEDGE GATE VALVE SCALE: 1:4 SHEET NO: 2 TOTAL SHEETS: 5		M 2 D
---	--	--	--	-------------



DWG NO: 124320 DATE: 12/15/16 DRAWN BY: DWI CHECKED BY: TSC APPROVED BY:		PROJECT NO: 124320 PROJECT NAME: 20" CS18 NRS RESILIENT WEDGE GATE VALVE SCALE: T:4 SHEET NO: 3 OF 5 TITLE: 20" CS18 NRS RESILIENT WEDGE GATE VALVE		
--	--	---	--	--

<u>ITEM NO.</u>	<u>COMPONENT</u>	<u>QTY.</u>	<u>SIZE</u>	<u>STANDARD MATERIAL</u>	<u>MATERIAL OPTIONS</u>
1	BODY	1	-	DUCTILE IRON	-
2	COVER	1	-	DUCTILE IRON	-
3	WEDGE	1	-	DUCTILE IRON / EPDM	-
4	WEDGE CAP	2	-	DELTRIN	-
5	STEM	1	2 1/8"	C86700	C99500, 304 SS
6	STEM NUT	1	-	C87610	C87850
7	FOLLOWER PLATE	1	-	DUCTILE IRON	-
8	OPERATING NUT	1	-	DUCTILE IRON	304 SS, C86700 ** $\phi$ 26" HANDWHEEL **
9	THRUST WASHER	2	-	DELTRIN	-
10	O-RING	3	#327	EPDM	BUNA-N
11	O-RING	1	#433	EPDM	BUNA-N
12	O-RING	1	#469	EPDM	BUNA-N
13	HEX HEAD CAPSCREW	1	1/2" X 1 1/2"	18-8 SS	316 SS
14	HEX HEAD CAPSCREW	16	3/4" X 4 1/2"	18-8 SS	316 SS
15	HEX NUT	16	3/4"-10	18-8 SS	316 SS
16	WASHER	1	1/2"	18-8 SS	316 SS
17	WASHER	16	3/4"	18-8 SS	316 SS
18	PIPE PLUG	1	1/2" - NPT	304 SS	316 SS
19	PIPE PLUG	2	3/4" - NPT	304 SS	316 SS
20	HEX HEAD CAPSCREW	4	7/8" x 4"	18-8 SS	316 SS
21	HEX NUT	4	7/8"	18-8 SS	316 SS

- VALVES CONFORM WITH FOLLOWING STANDARDS
  - AWWA C515
  - NSF 61
- LOW ZINC BRASS STEM AND STEM NUT AVAILABLE
- 100% DOMESTIC FASTENER AND O-RING OPTIONS AVAILABLE
- OPEN LEFT (COUNTERCLOCKWISE) AND OPEN RIGHT (CLOCKWISE) OPTIONS AVAILABLE
- TURNS TO OPEN FROM FULLY CLOSED: 228
  - +/- 5% WITH STANDARD 3:1 BEVEL OR SPUR GEAR
- AWWA MAXIMUM ALLOWABLE CLOSING TORQUE 750 FT-LBS
- OPTIONAL HANDWHEEL CAN BE SUBSTITUTED FOR STANDARD 2" SQUARE OP NUTS
  - \*\*NOTE: STANDARD HANDWHEEL SIZE CALLED OUT IN PARTS LIST\*\*