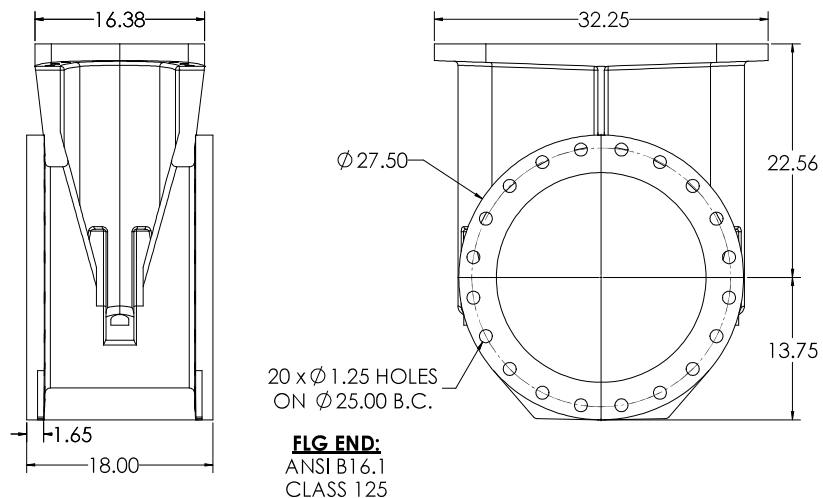
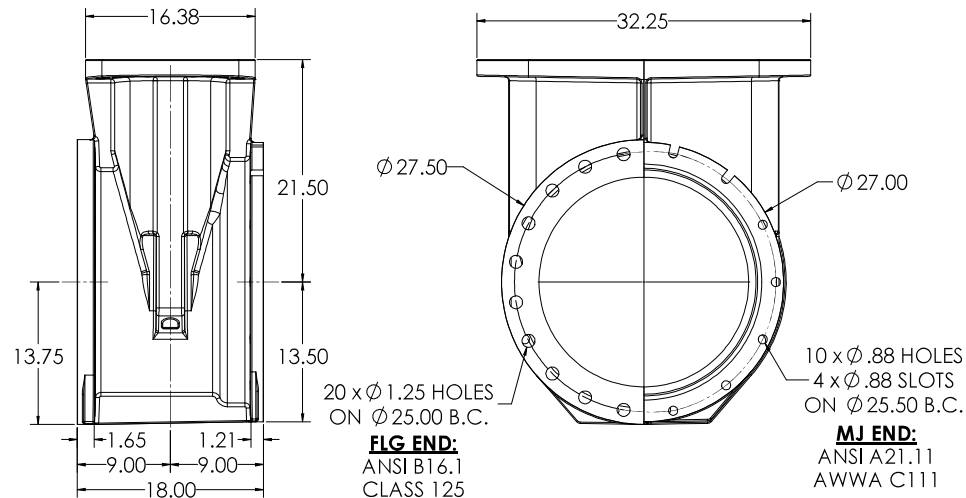


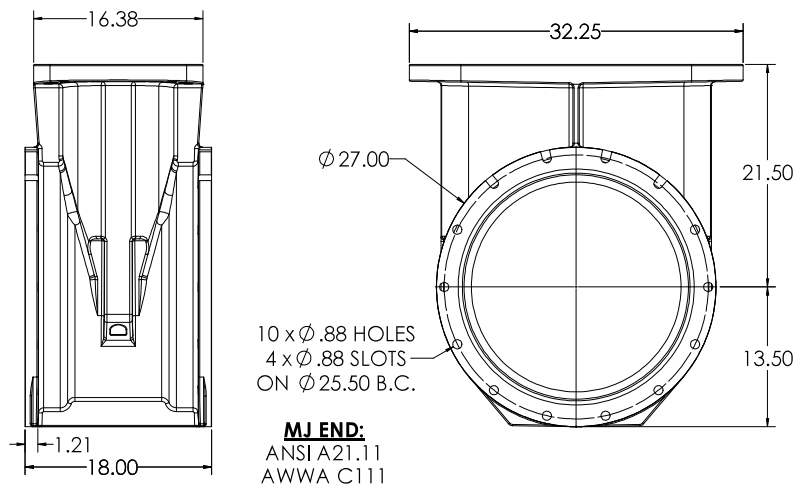
**20" C515 FLG X FLG**



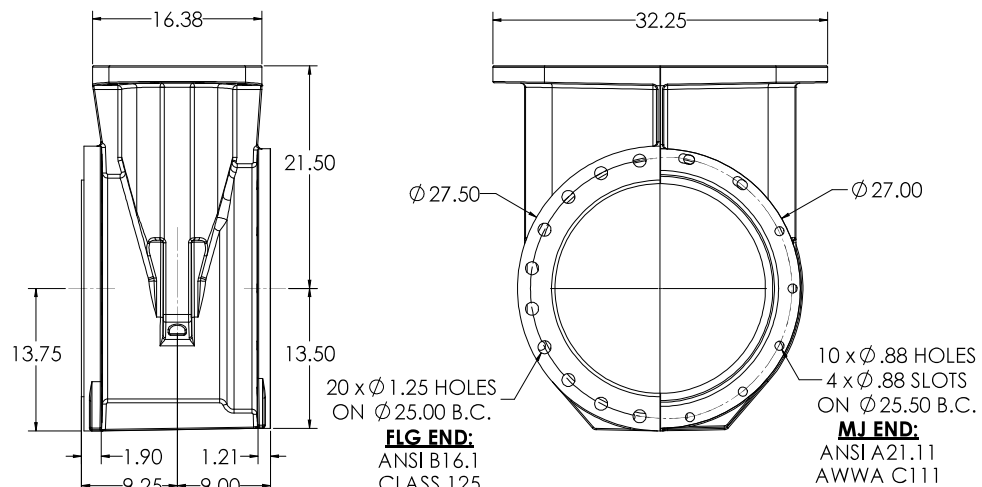
**20" C515 FLG X MJ**



**20" C515 MJ X MJ**

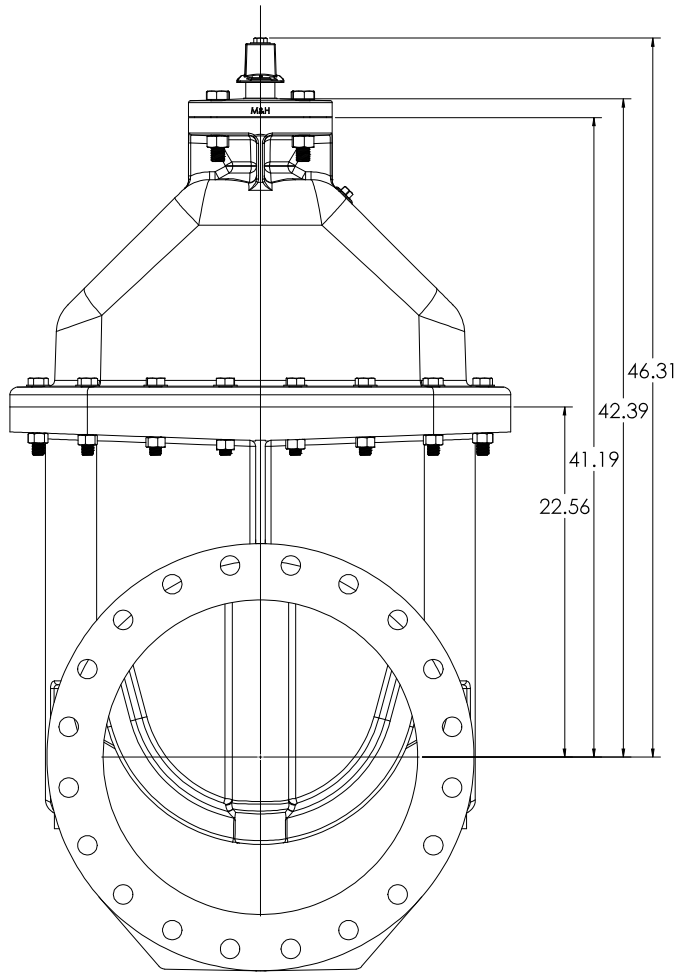


**20" C515 TAP X MJ**

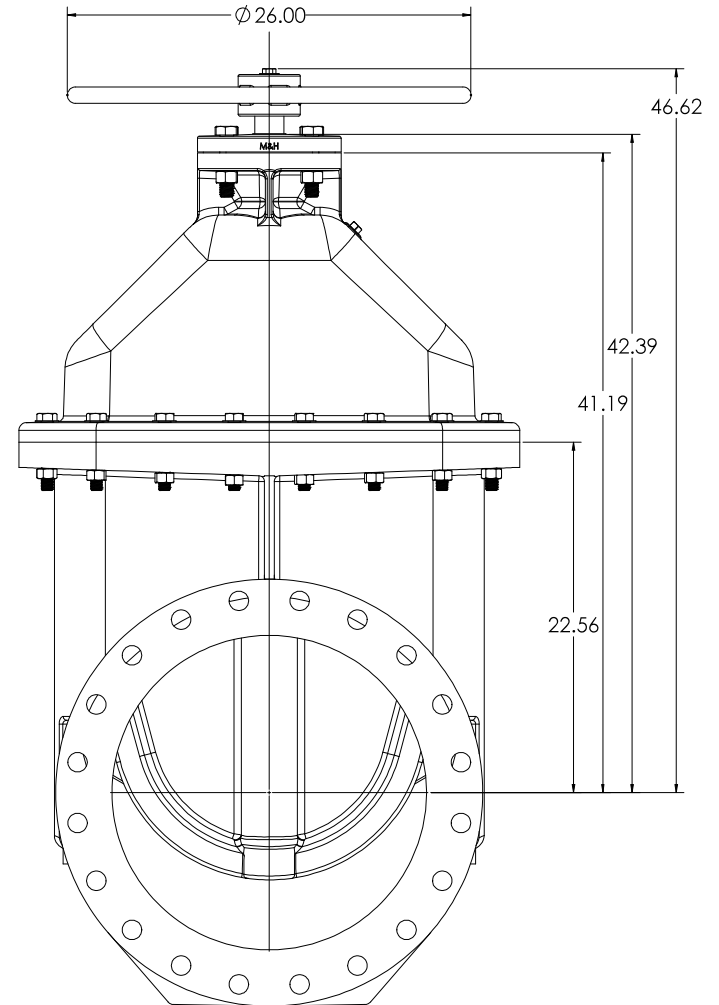


DWG NO: 104320 DATE: 1/15/16 DESIGNED BY: [Name] CHECKED BY: [Name] APPROVED BY: [Name]	PROJECT NO: [Number] PROJECT NAME: 20" C515 NRS RESILIENT WEDGE GATE VALVE SHEET NO: 5 TOTAL SHEETS: 5	SCALE: 1:6 DRAWN BY: [Name]	REVISIONS: [Table] DATE: [Date] BY: [Name]	COMPANY: CLW ADDRESS: [Address] PHONE: [Phone]
-----------------------------------------------------------------------------------------------------	-----------------------------------------------------------------------------------------------------------------	--------------------------------	--------------------------------------------------	------------------------------------------------------

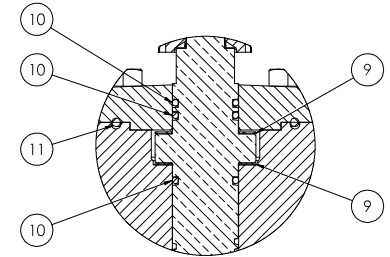
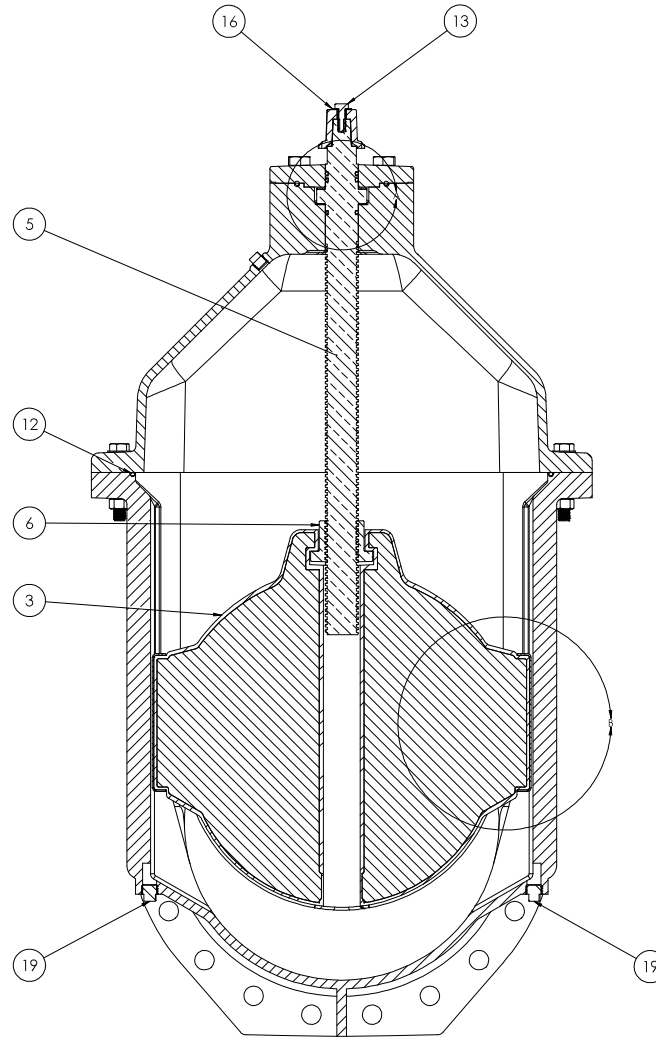
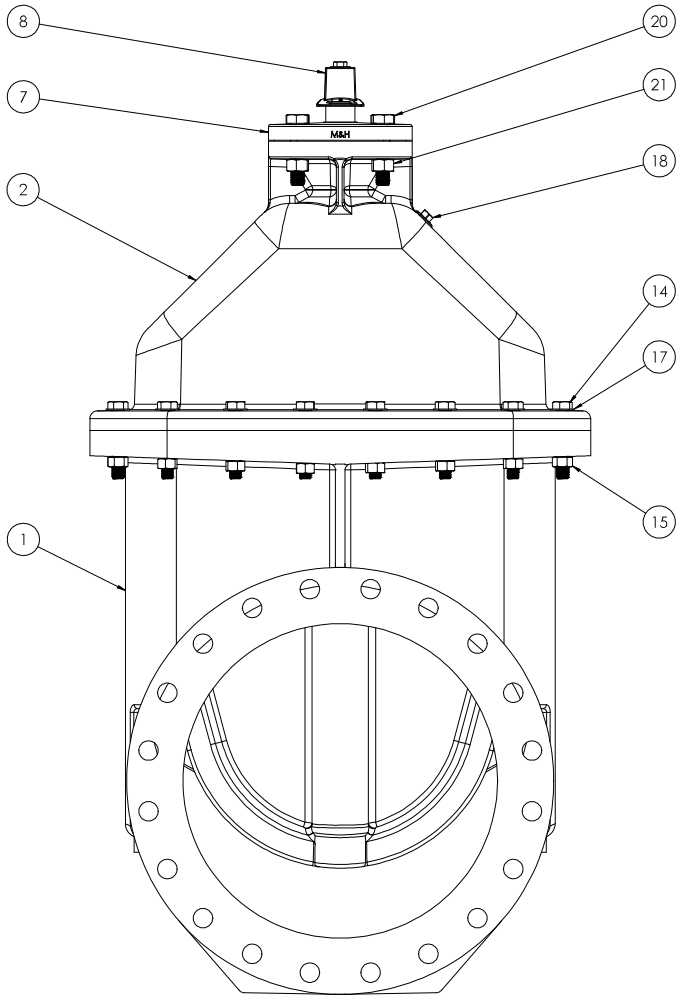
**OPERATING NUT WITH O-RING PLATE**



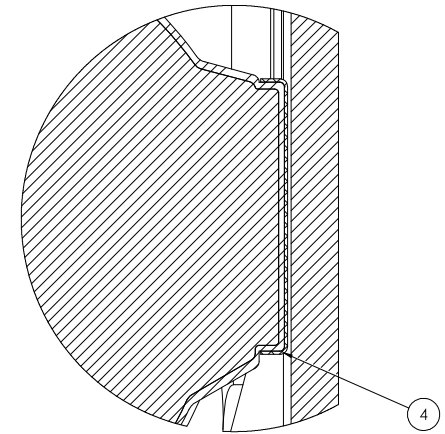
**HANDWHEEL WITH O-RING PLATE**



DWG NO: 124320 DATE: 1/20/16 DRAWN: DWI CHECKED: [blank]		PROJECT NO: 124320 PROJECT NAME: 20" CS18 NRS RESILIENT WEDGE GATE VALVE SCALE: T:4 SHEET NO: 5		CLW 124320-00
-------------------------------------------------------------------	--	----------------------------------------------------------------------------------------------------------	--	------------------



DETAIL A



DETAIL B

DWG NO: 134320 DATE: 01/11/2016 DRAWN: DWI CHECKED: TSC APPROVED: [Signature]		PROJECT NO: 134320 PROJECT NAME: 20" CS18 NRS RESILIENT WEDGE GATE VALVE SCALE: T:4 SHEET NO: 5		CLW 3 D
-------------------------------------------------------------------------------------------	--	----------------------------------------------------------------------------------------------------------	--	---------------

ITEM NO.	COMPONENT	QTY.	SIZE	STANDARD MATERIAL	MATERIAL OPTIONS
1	BODY	1	-	DUCTILE IRON	-
2	COVER	1	-	DUCTILE IRON	-
3	WEDGE	1	-	DUCTILE IRON / EPDM	-
4	WEDGE CAP	2	-	DELFIN	-
5	STEM	1	2 1/8"	C86700	C99500, 304 SS
6	STEM NUT	1	-	C87610	C87850
7	FOLLOWER PLATE	1	-	DUCTILE IRON	-
8	OPERATING NUT	1	-	DUCTILE IRON	304 SS, C86700 ** Ø 26" HANDWHEEL**
9	THRUST WASHER	2	-	DELFIN	-
10	O-RING	3	#327	EPDM	BUNA-N
11	O-RING	1	#433	EPDM	BUNA-N
12	O-RING	1	#469	EPDM	BUNA-N
13	HEX HEAD CAPSCREW	1	1/2" X 1 1/2"	18-8 SS	316 SS
14	HEX HEAD CAPSCREW	16	3/4" X 4 1/2"	18-8 SS	316 SS
15	HEX NUT	16	3/4"-10	18-8 SS	316 SS
16	WASHER	1	1/2"	18-8 SS	316 SS
17	WASHER	16	3/4"	18-8 SS	316 SS
18	PIPE PLUG	1	1/2" - NPT	304 SS	316 SS
19	PIPE PLUG	2	3/4" - NPT	304 SS	316 SS
20	HEX HEAD CAPSCREW	4	7/8" x 4"	18-8 SS	316 SS
21	HEX NUT	4	7/8"	18-8 SS	316 SS

VALVES CONFORM WITH FOLLOWING STANDARDS

- AWWA C515
- NSF 61

- LOW ZINC BRASS STEM AND STEM NUT AVAILABLE

- 100% DOMESTIC FASTENER AND O-RING OPTIONS AVAILABLE

- OPEN LEFT (COUNTERCLOCKWISE) AND OPEN RIGHT (CLOCKWISE) OPTIONS AVAILABLE

- TURNS TO OPEN FROM FULLY CLOSED: 64

- AWWA MAXIMUM ALLOWABLE CLOSING TORQUE 750 FT-LBS

- OPTIONAL HANDWHEEL CAN BE SUBSTITUTED FOR STANDARD 2" SQUARE OP NUTS
  - \*\*NOTE: STANDARD HANDWHEEL SIZE CALLED OUT IN PARTS LIST\*\*
- MAXIMUM PRESSURE RATING 250 PSI

<small>           COMPANY: CLOW VALVE MANUFACTURING CO. INC. 10000 W. 124TH ST. OVERLAND PARK, MO 66204            PHONE: (816) 875-2000 FAX: (816) 875-2001            WWW.CLOWVALVE.COM         </small>		<small>           PROJECT: 20" CS15 NRS RESILIENT WEDGE GATE VALVE            LBS.         </small>	<small>           SHEET: 4            TOTAL SHEETS: 5         </small>	<small>           DWG: 124320            T:4            Scale: 1:4            Date: 12/16/2016         </small>	<small>           CLOW VALVE            124320         </small>
--------------------------------------------------------------------------------------------------------------------------------------------------------------------------------------------------------------------	--	---------------------------------------------------------------------------------------------------------	----------------------------------------------------------------------------	-----------------------------------------------------------------------------------------------------------------------------	---------------------------------------------------------------------