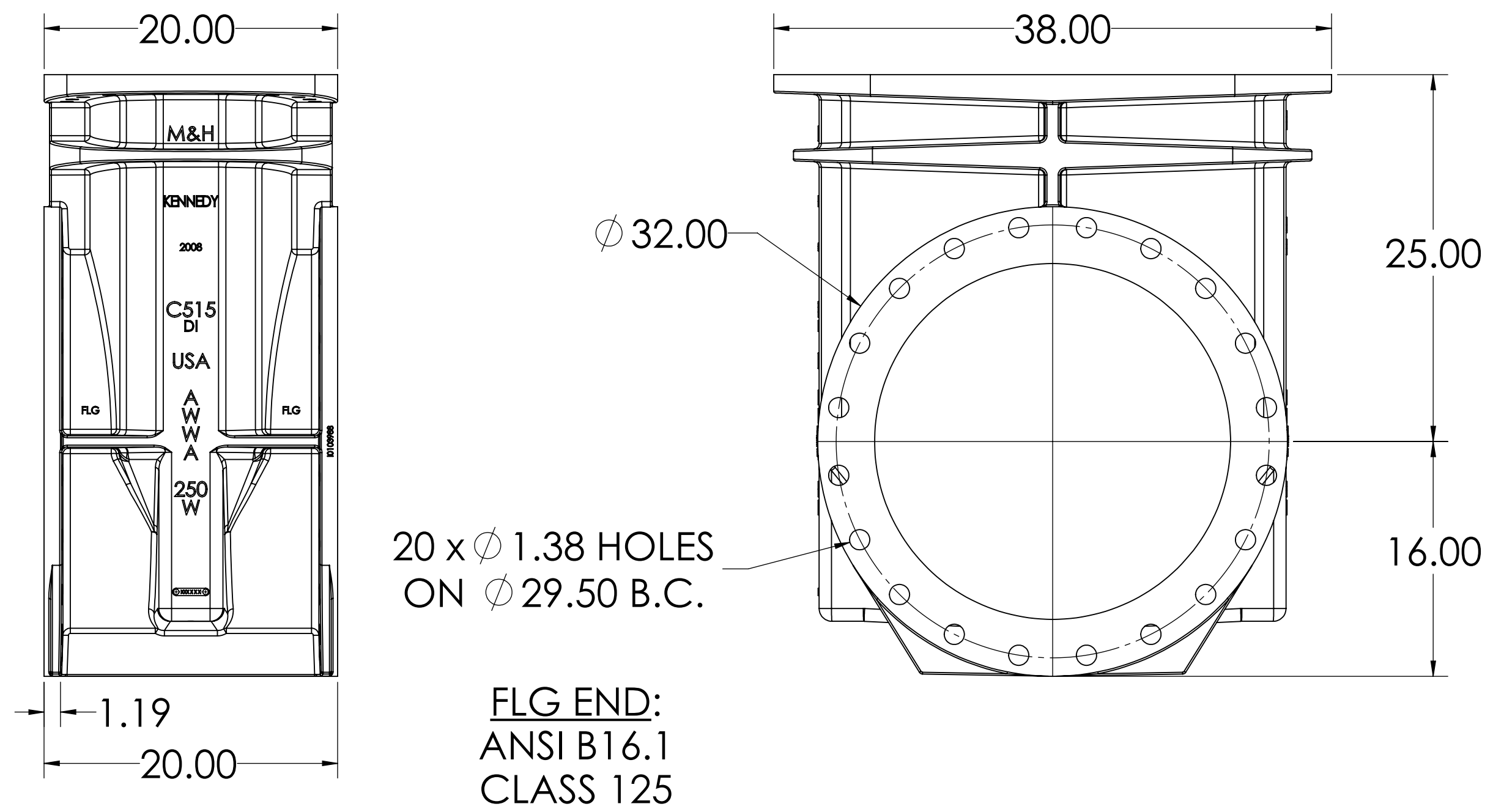
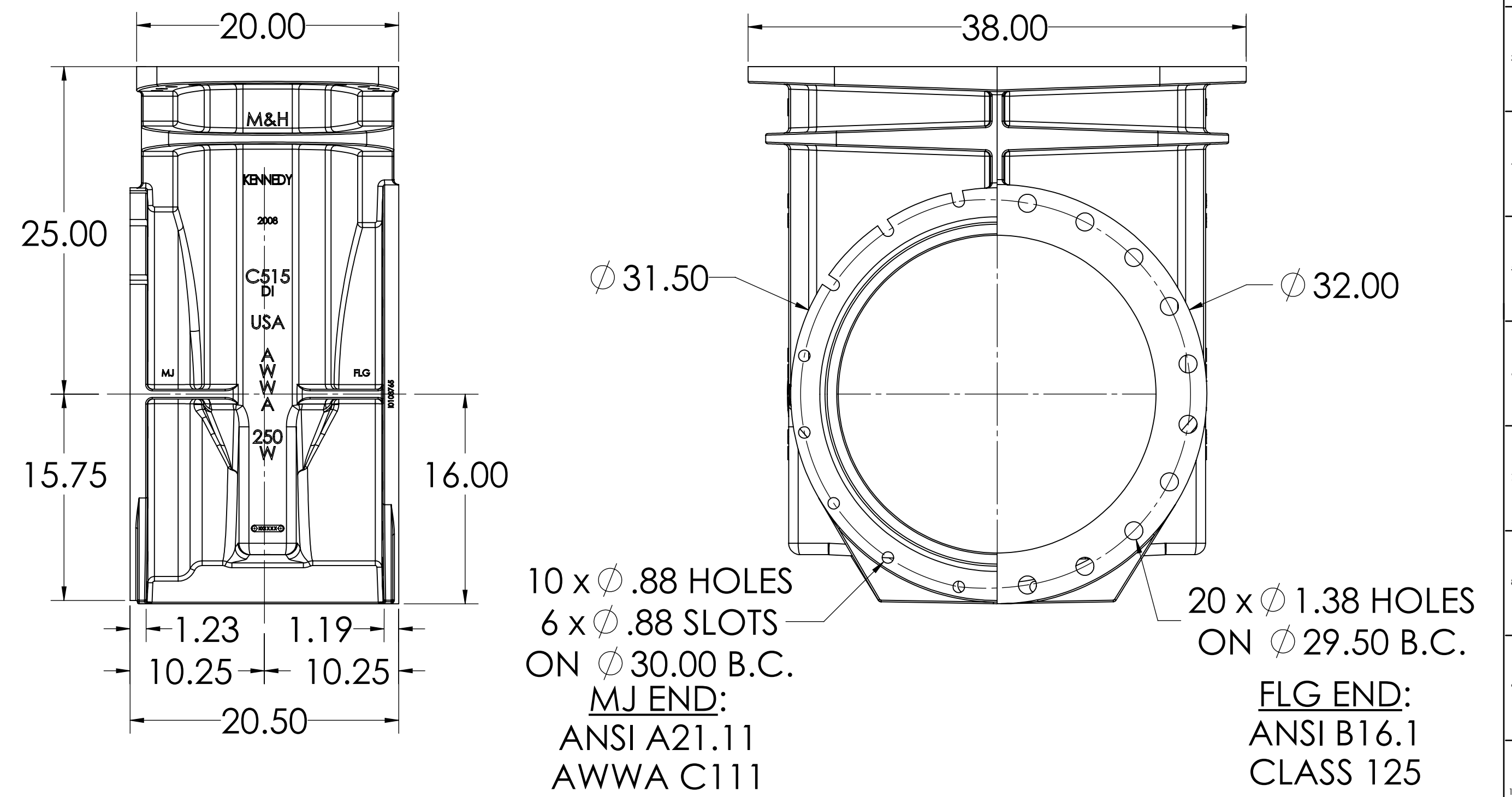


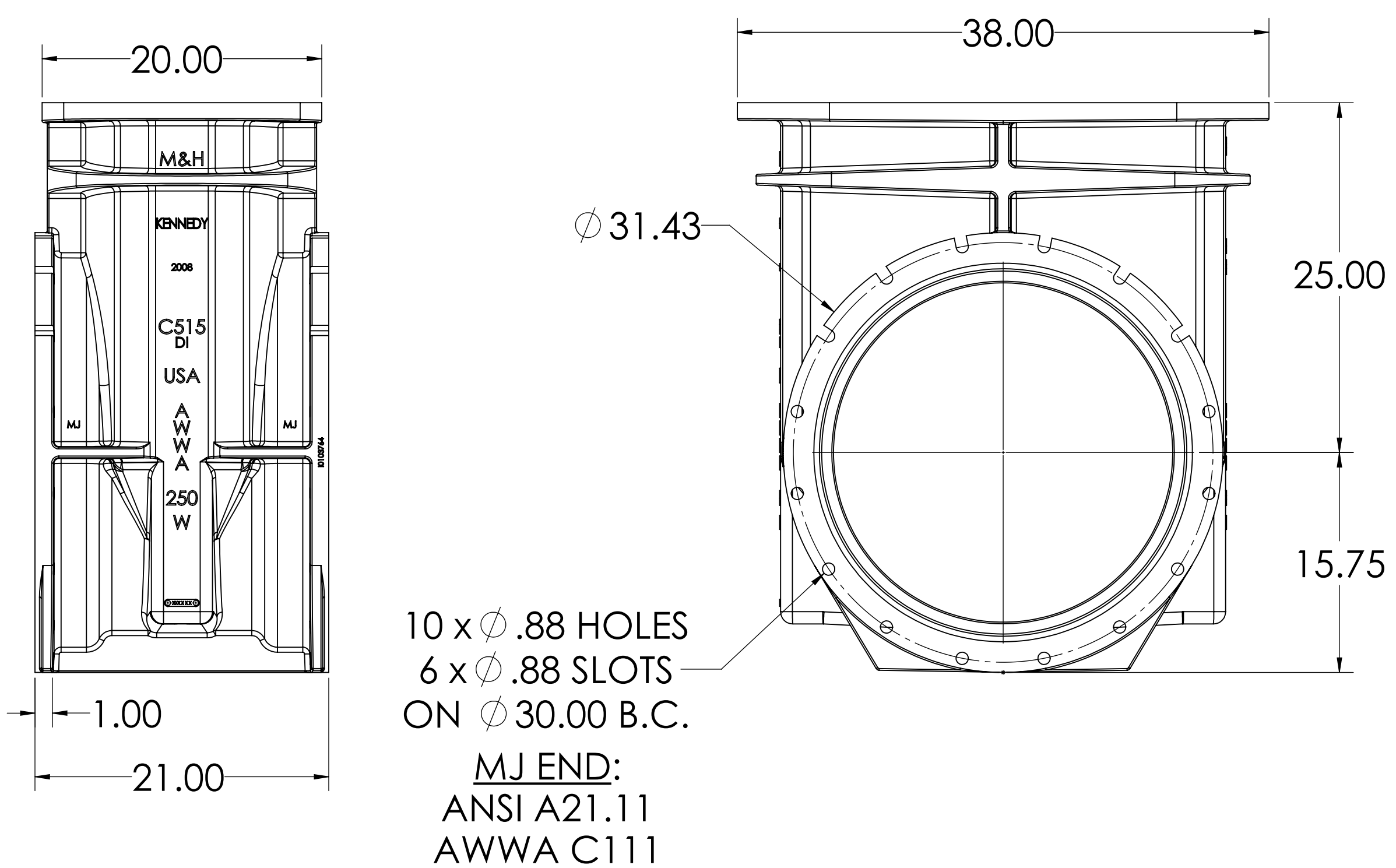
24" C515 FLG X FLG



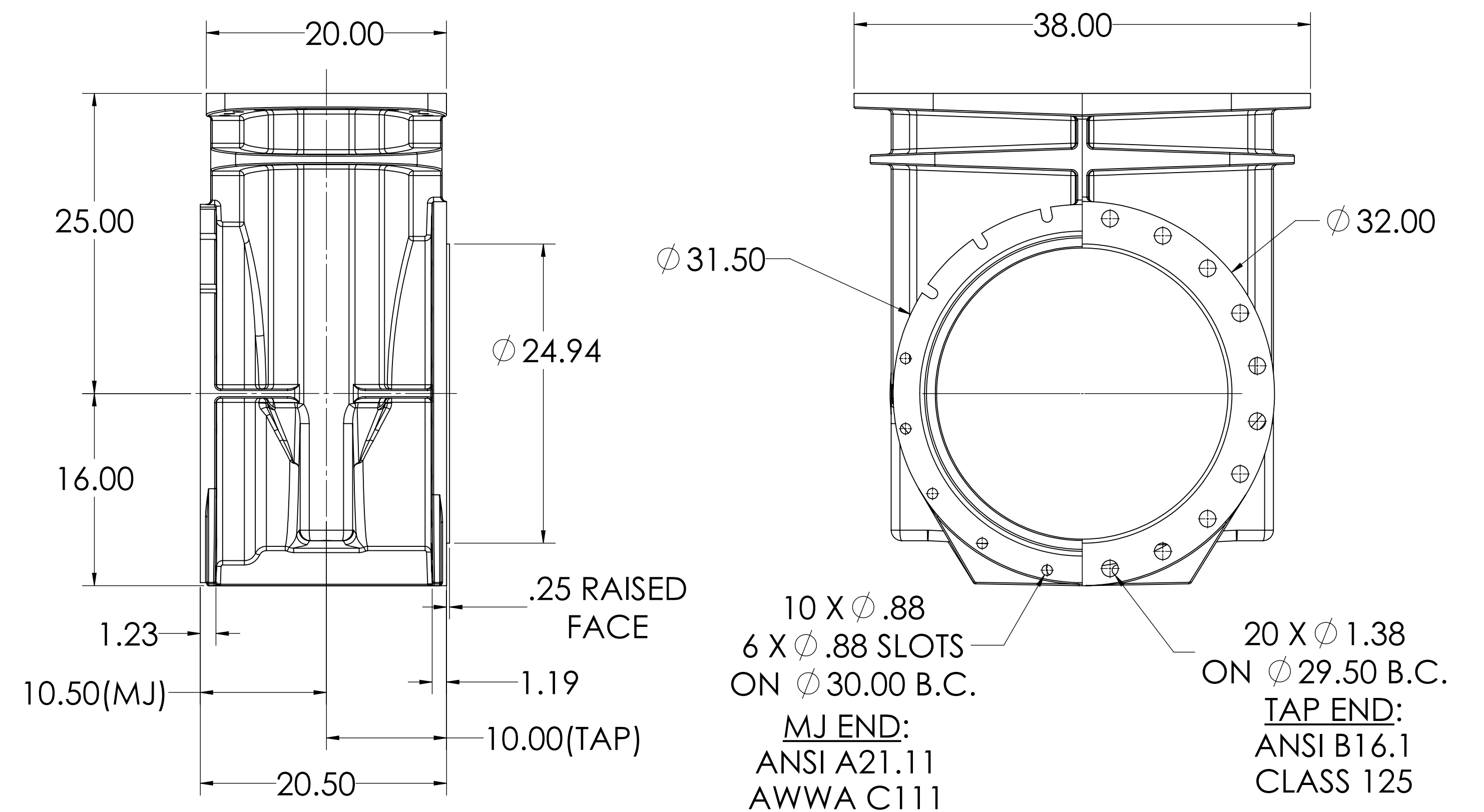
24" C515 MJ X FLG




24" C515 MJ X MJ

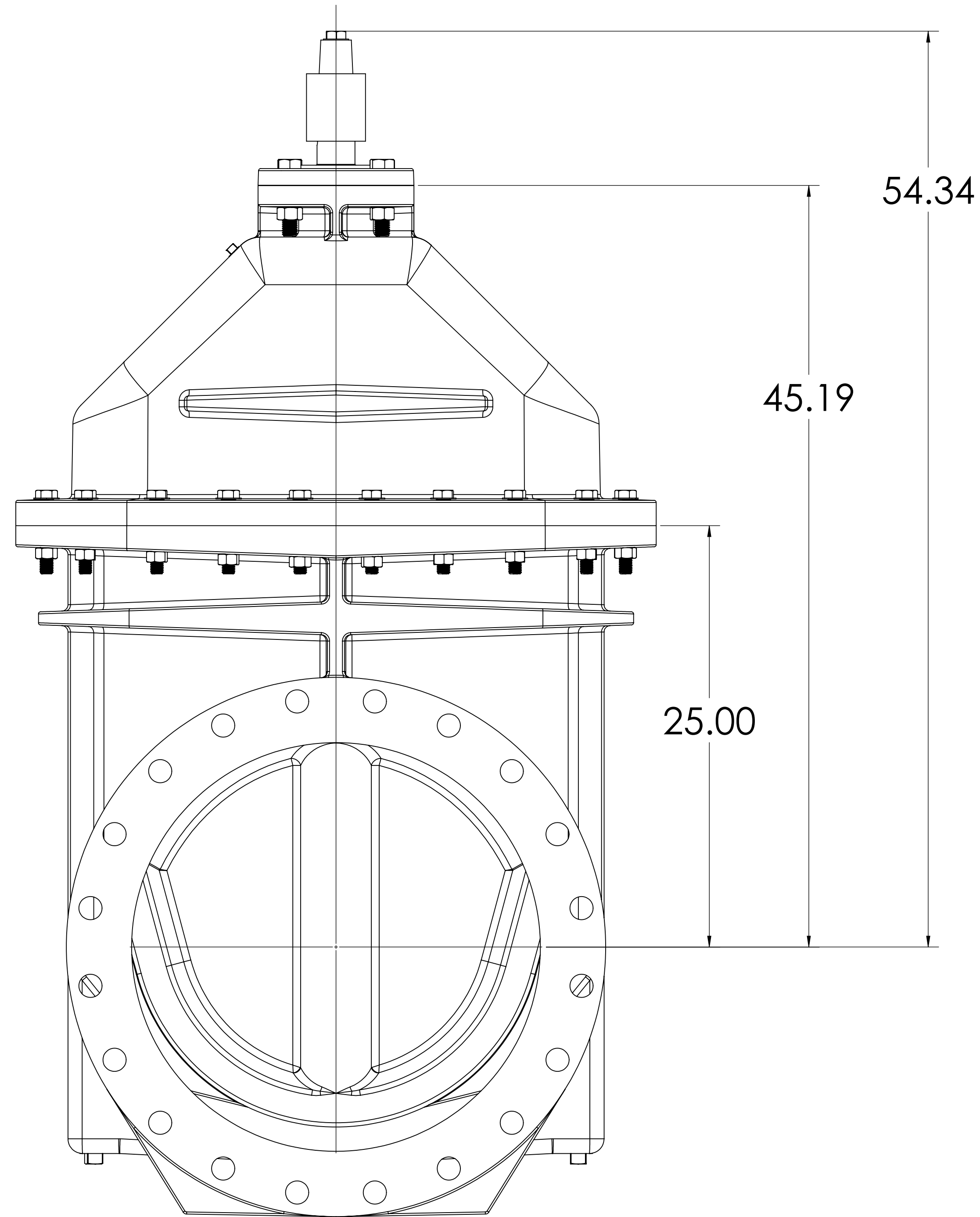


24" C515 MJ X TAP

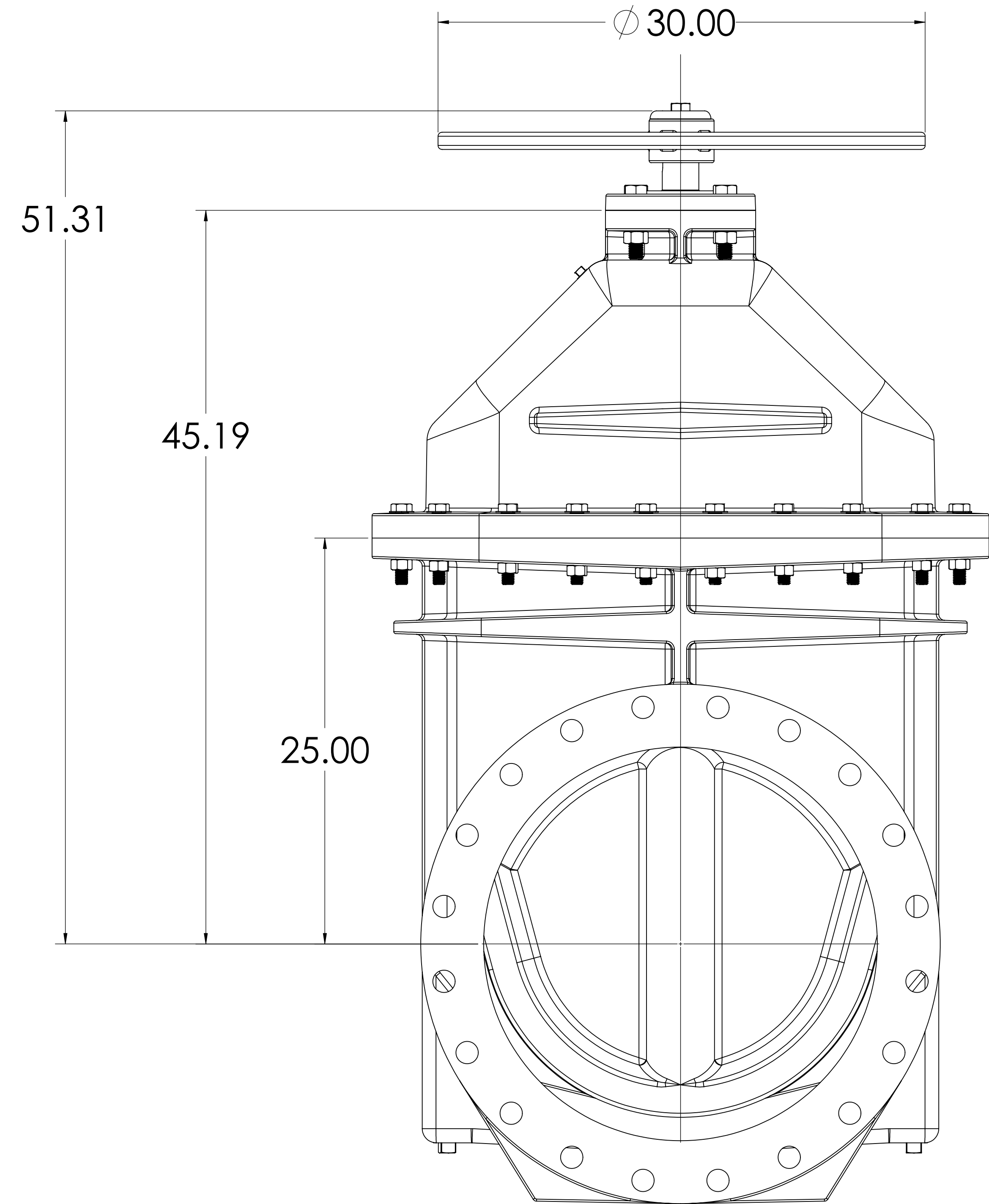


THIRD ANGLE PROJECTION STANDARDS: ANSI/ASME Y14.100, Y14.1 AND Y14.41 TOLERANCES: AS FOLLOWS UNLESS OTHERWISE SPECIFIED.		PROPERTY OF MCWANE CORPORATION. ALL DIMENSIONS AND IDENTIFICATION ARE PROPRIETARY TO MCWANE CORPORATION AND ITS SUBSIDIARIES. REPRODUCTION OR USE WITHOUT PERMISSION IS PROHIBITED UNLESS OTHERWISE ARRANGED. ALL RIGHTS RESERVED.		DATE: A-05/19/21
CASTING TOLERANCES:	MATCHED DIMENSIONS:	MATERIAL:	DESCRIPTION:	 24" NRS C515 RESILIENT SEAT GATE VALVE LBS.
0.4": ± 0.005 0.8": ± 0.004 1.2": ± 0.003 1.6": ± 0.002 2.0": ± 0.002 2.5": ± 0.002 3.0": ± 0.002 4.0": ± 0.002 5.0": ± 0.002 6.0": ± 0.002 8.0": ± 0.002 10.0": ± 0.002 12.0": ± 0.002 15.0": ± 0.002 20.0": ± 0.002	DECIMALS: ± 0.005 FRACTIONS: ± 1/64 ANGLE: ± 1° SURFACE FINISH: 125 μin RADIUS: 1/8"	ESTIMATED WEIGHT:	24" NRS C515 RESILIENT SEAT GATE VALVE LBS.	
DESIGNED BY:	DRAWN BY:	CHECKED BY:	DATE: 09/08/20	SHEET OF: 1 SHEET: 6 D

OPERATING NUT WITH O-RING PLATE

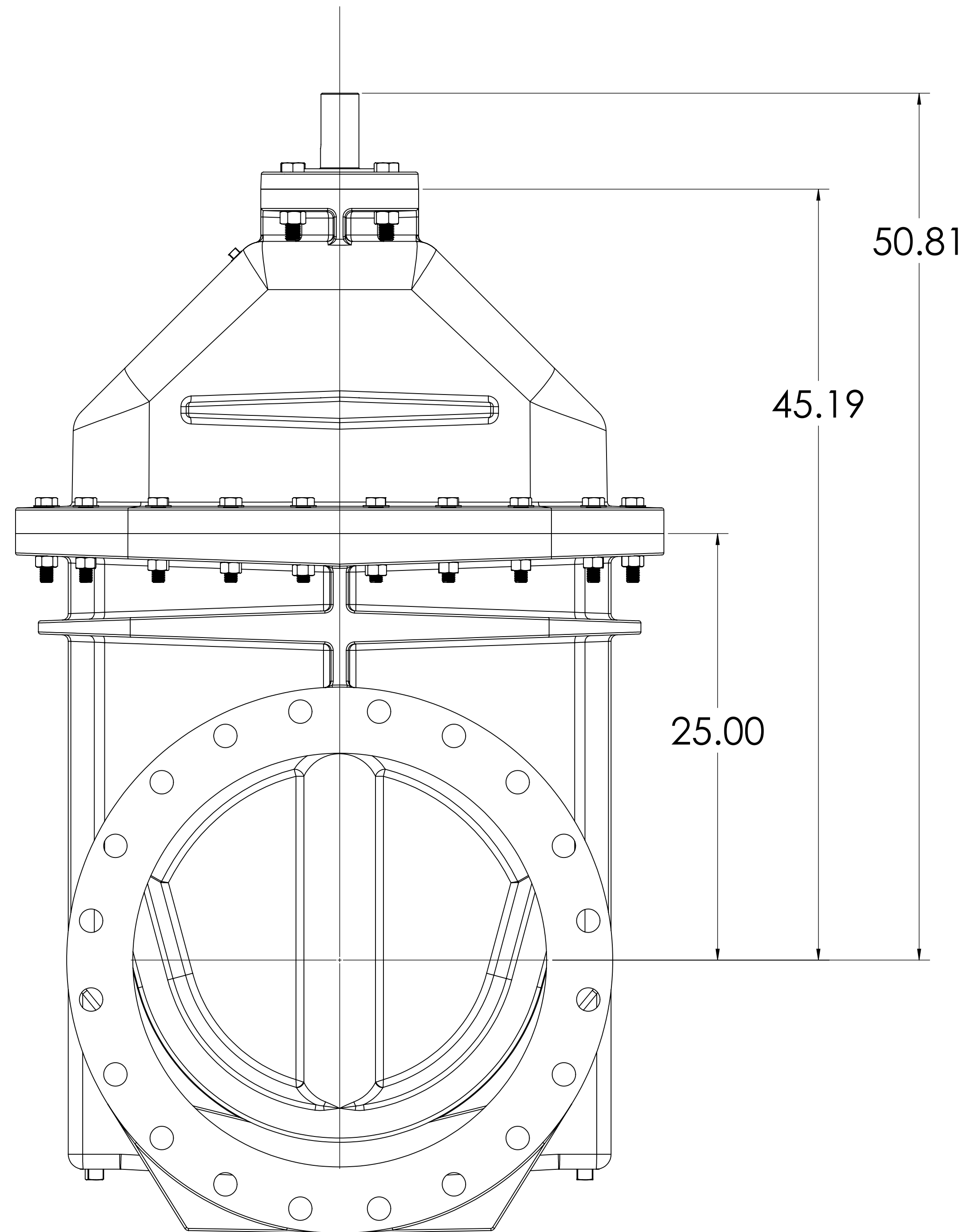


HANDWHEEL WITH O-RING PLATE

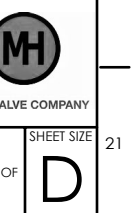


THIRD ANGLE PROJECTION STANDARDS AND DIMENSIONS (SEE FIG. 14.4) AND (FIG. 14.41) TOLERANCES AS FOLLOWS UNLESS OTHERWISE SPECIFIED.		PROPERTY OF MCWANE CORPORATION. ALL DIMENSIONS AND DIMENSIONS ARE PROPRIETARY TO MCWANE CORPORATION AND ITS SUBSIDIARIES. REPRODUCTION OR USE WITHOUT PERMISSION OF MCWANE CORPORATION IS PROHIBITED. ALL RIGHTS RESERVED.		DATE: 09/08/20	DESIGNER: DWI	CHECKED: []	DESCRIPTION: 24" NRS C515 RESILIENT SEAT GATE VALVE	DATE: A-05/19/21	MCWANE COMPANY
CASTING TOLERANCES		MACHINED DIMENSIONS		ESTIMATED WEIGHT		LBS.		SHEET NO. 2	
6-8": ± 0.005	DECIMALS: ± 0.005	6-8": ± 0.005	DECIMALS: ± 0.005	2		1:5		SHEET OF 6	
8-12": ± 0.006	FRACTIONS: 1/16"	8-12": ± 0.006	FRACTIONS: 1/16"	LBS.		1:5		SHEET OF 6	
13-18": ± 0.007	ANGLE: 1/2°	13-18": ± 0.007	ANGLE: 1/2°	LBS.		1:5		SHEET OF 6	
18-UP": ± 0.008	SURFACE FINISH: 125 μin	18-UP": ± 0.008	SURFACE FINISH: 125 μin	LBS.		1:5		SHEET OF 6	
MIN RADIUS: 1/8"	RA: 1/8"	MIN RADIUS: 1/8"	RA: 1/8"	LBS.		1:5		SHEET OF 6	
MIN DRIFT: 2"		MIN DRIFT: 2"		LBS.		1:5		SHEET OF 6	

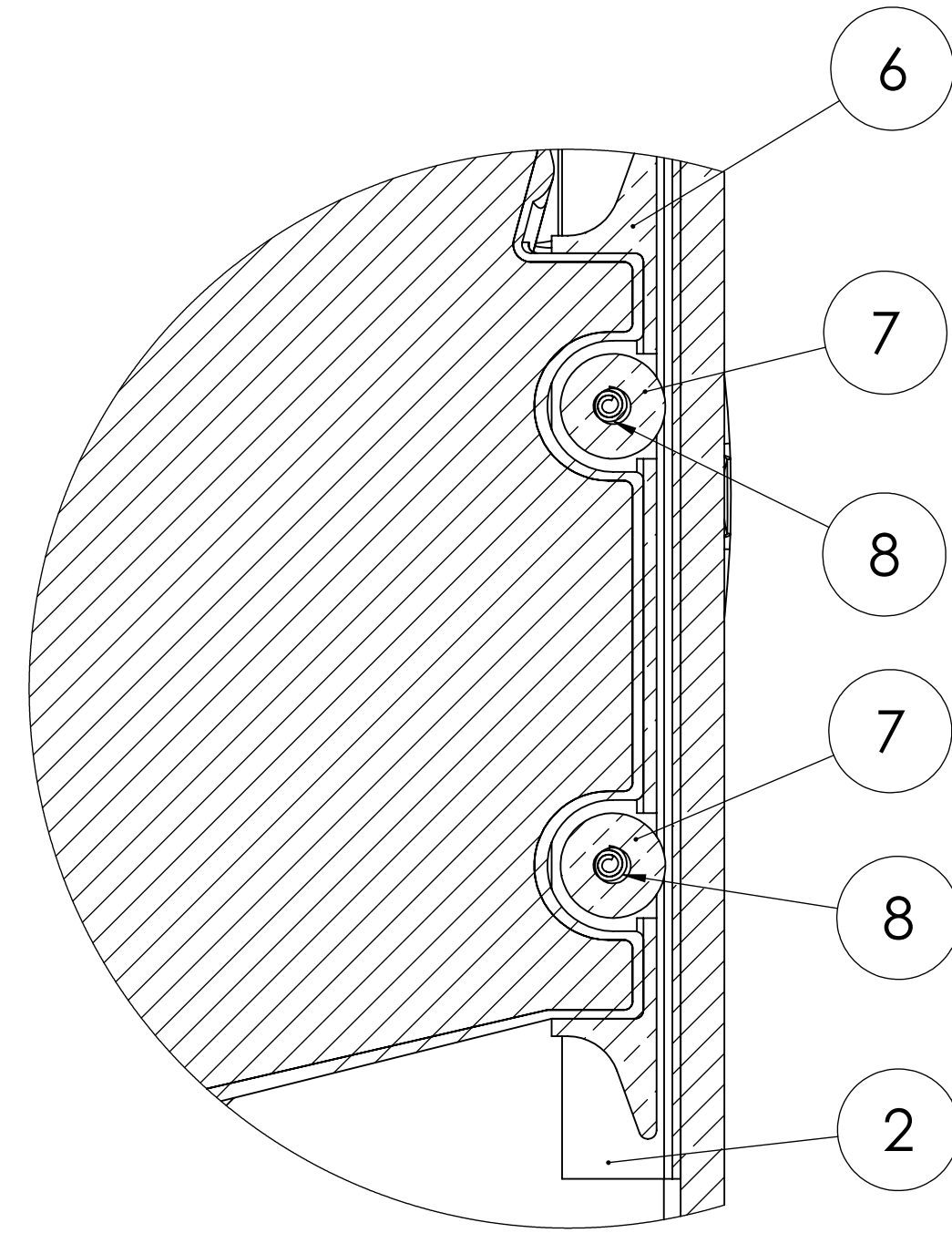
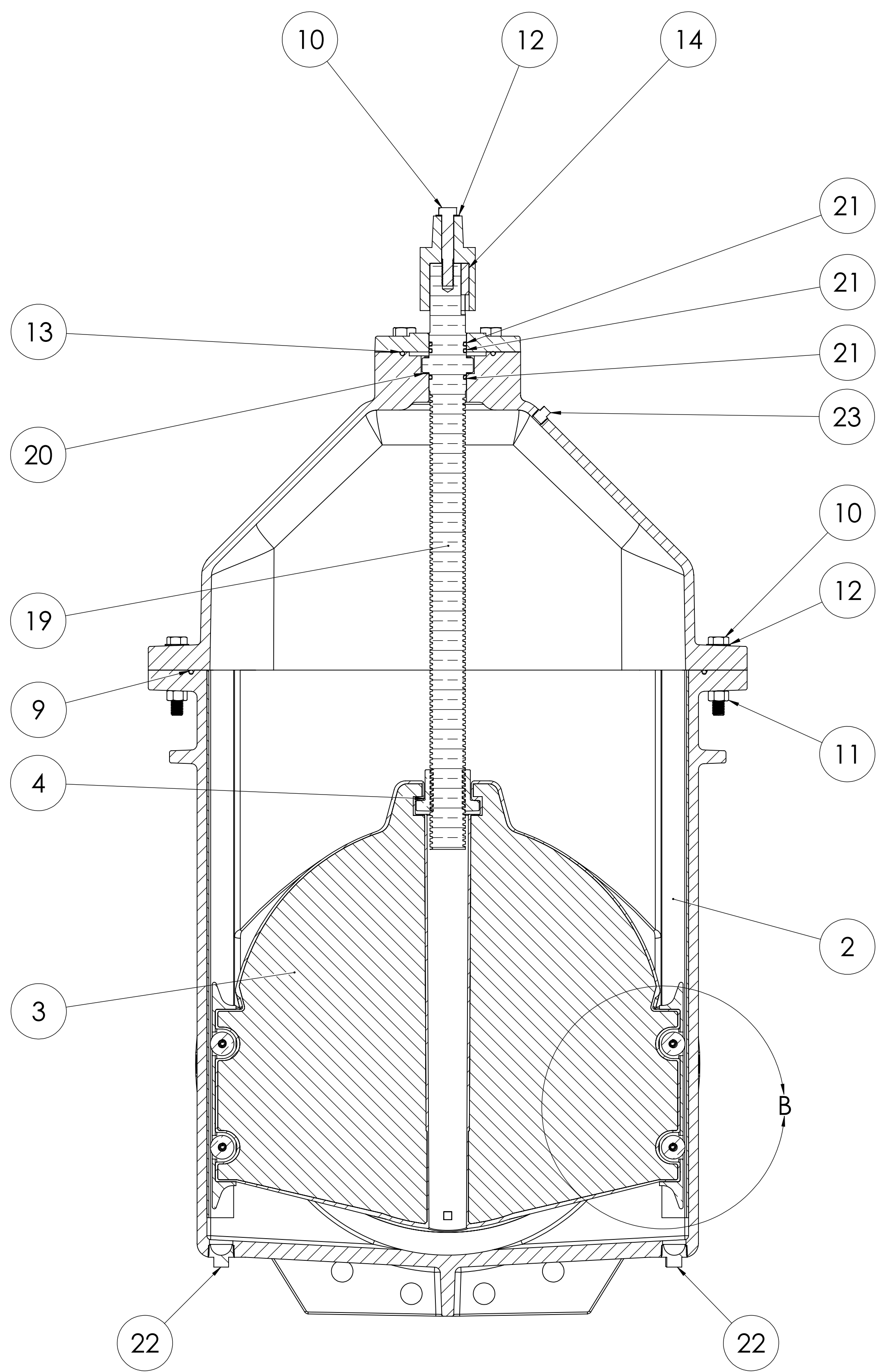
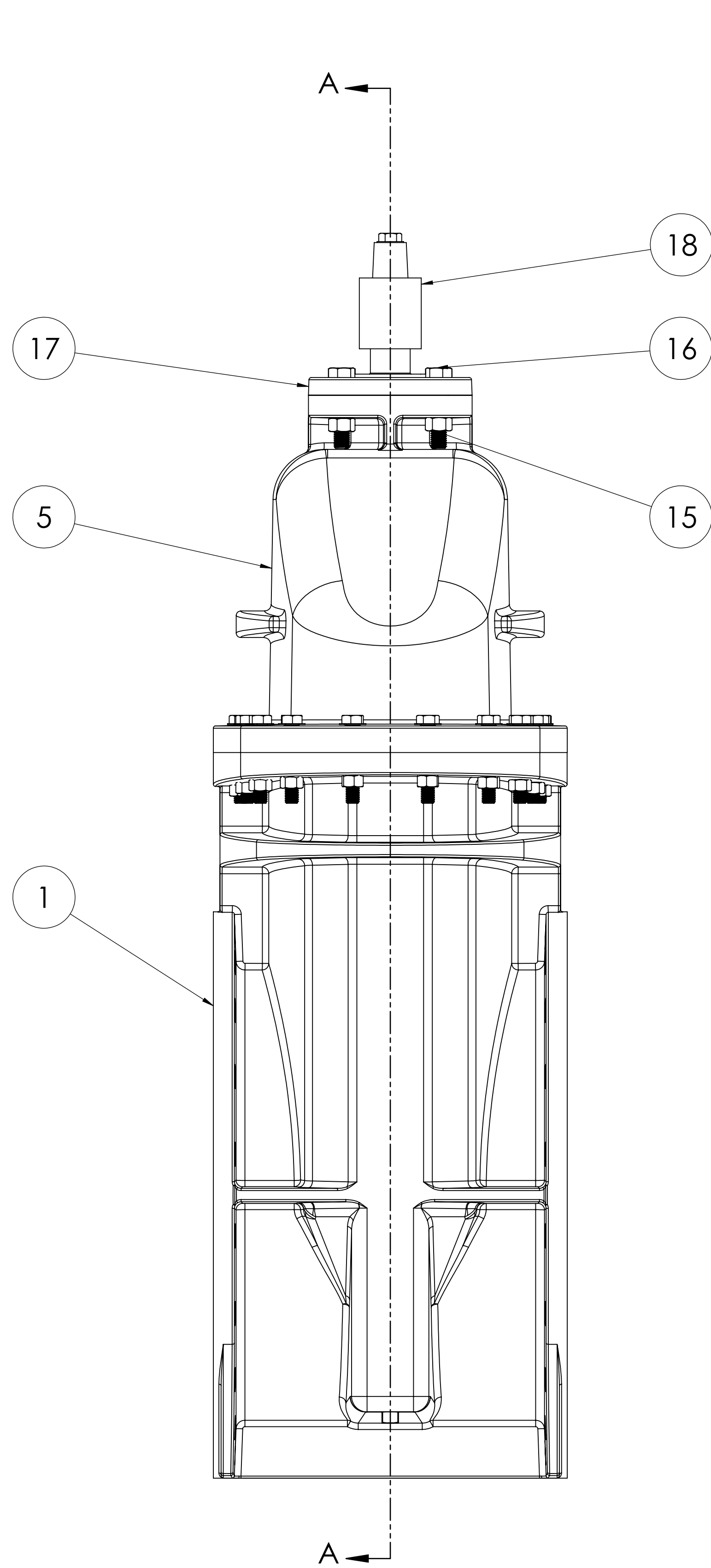
BARE STEM



THIRD ANGLE PROJECTION. STANDARDS: ANSI/ASME Y14.100, Y14.101, AND Y14.141. TOLERANCES: AS FOLLOWS UNLESS OTHERWISE SPECIFIED.		PROPERTY OF MCWANE CORPORATION. ALL MODELS AND IDENTIFIER DESIGNATIONS ARE PROPRIETARY TO MCWANE CORPORATION AND ITS SUBSIDIARIES. REPRODUCTION OR TRANSMISSION OF THIS INFORMATION WITHOUT THE WRITTEN PERMISSION OF MCWANE CORPORATION IS STRICTLY PROHIBITED. OTHERWISE ARRANGED: ALL RIGHTS RESERVED.		SHEET NO. A-05/19/21
CASTING TOLERANCES: 0-4": ± 0.005 4-8": ± 0.004 8-12": ± 0.003 12-18": ± 0.002 18-UP": ± 0.001 MIN RADIUS: 1/8" FINISH: Z		MACHINED DIMENSIONS: DECIMALS: ± 0.005 FRACTIONS: 1/16" ANGLE: 1° SURFACE FINISH: 125 μin RADE: 1/8" MIN RADIUS: 1/8" FINISH: Z		MATERIAL: 24" NRS C515 RESILIENT SEAT GATE VALVE
ESTIMATED WEIGHT: LBS.		DESCRIPTION: 24" NRS C515 RESILIENT SEAT GATE VALVE		
DRAWN BY: DWI	DATE DRAWN: 09/08/20	CHECK BY: [Blank]	SCALE: 1:5	
SHEET NO. 3		SHEET OF 6		



MCWANE COMPANY
 SHEET NO. 3
 SHEET OF 6



VIEW A-A

DETAIL B

THIRD ANGLE PROJECTION. STANDARDS: ANSI/ASME Y14.10, Y14.1, AND Y14.41. TOLERANCES: AS FOLLOWS UNLESS OTHERWISE SPECIFIED.		PROPERTY OF MCWANE CORPORATION. ALL DIMENSIONS AND IDENTIFYING INFORMATION ARE PROPRIETARY TO MCWANE CORPORATION AND ITS SUBSIDIARIES. REPRODUCTION OR USE WITHOUT THE WRITTEN PERMISSION OF MCWANE CORPORATION IS PROHIBITED. ALL RIGHTS RESERVED.		DATE: A-05/19/21
CASTING TOLERANCES:	MACHINED DIMENSIONS:	MATERIAL:	DESCRIPTION:	MCWANE COMPANY
0.4": ± 0.005	DECIMALS: ± 0.005	24" NRS CS15 RESILIENT SEAT GATE		
0.8": ± 0.004	FRACTIONS: ± 1/100	ESTIMATED WEIGHT:	LBS.	4
1.2": ± 0.003	ANGLE: ± 1°		VALVE	6
1.8": ± 0.002	SURFACE FINISH: 125 μin	DATE DRAWN: 09/08/20	SCALE: 1:5	D
MIN RADII: 1/8"	RADI: 1/8"	DRAWN BY: DWI	REVISED BY:	Solidworks 2018 SP2
MIN DRAFT: 2°		CHECKED BY:		

ITEM NO.	COMPONENT	QTY.	SIZE	STANDARD MATERIAL	MATERIAL OPTIONS
1	BODY	1	-	DUCTILE IRON	-
2	TRACK	2	-	316 SS	-
3	WEDGE	1	-	EPDM/DUCTILE IRON	-
4	STEM NUT	1	-	C87850	C87610
5	COVER	1	-	DUCTILE IRON	-
6	SCRAPER	2	-	C95500	-
7	ROLLER	4	-	C95400	-
8	COILED SPRING PIN	4	1/2" x 2 3/4"	18-8 SS	-
9	O-RING	1	#474	EPDM	BUNA-N
10	CAPSCREW	21	3/4"-10 X 4 1/2"	18-8 SS	316 SS
11	HEX NUT	20	3/4"-10	18-8 SS	316 SS
12	FLAT WASHER	21	3/4"	18-8 SS	316 SS
13	O-RING	1	#433	EPDM	BUNA-N
14	KEY	1	1/2" X 1/2" X 2"	18-8 SS	-
15	HEX NUT	4	7/8"-9	18-8 SS	316 SS
16	CAPSCREW	4	7/8"-9 X 4"	18-8 SS	316 SS
17	FOLLOWER PLATE	1	-	DUCTILE IRON	CAST IRON
18	OPERATING NUT	1	-	CAST IRON	C87850, ** 30" HANDWHEEL **
19	STEM	1	-	C86200	C99500
20	THRUST WASHER	2	-	DELFIN	-
21	O-RING	3	#329	EPDM	BUNA-N
22	PLUG	2	1 1/4"-NPT	304 SS	316 SS
23	PLUG	1	1/2" - NPT	304 SS	316 SS

- VALVES CONFORM WITH FOLLOWING STANDARDS
 - AWWA C515
 - NSF 61
- LOW ZINC BRASS STEM AND STEM NUT AVAILABLE
- 100% DOMESTIC FASTENER AND O-RING OPTIONS AVAILABLE
- OPEN LEFT (COUNTERCLOCKWISE) AND OPEN RIGHT (CLOCKWISE) OPTIONS AVAILABLE
- TURNS TO OPEN FROM FULLY CLOSED: 228
 - +/- 5% WITH STANDARD 3:1 BEVEL OR SPUR GEAR
- AWWA MAXIMUM ALLOWABLE CLOSING TORQUE 750 FT-LBS
- OPTIONAL HANDWHEEL CAN BE SUBSTITUTED FOR STANDARD 2" SQUARE OP NUTS
 - **NOTE: STANDARD HANDWHEEL SIZE CALLED OUT IN PARTS LIST**