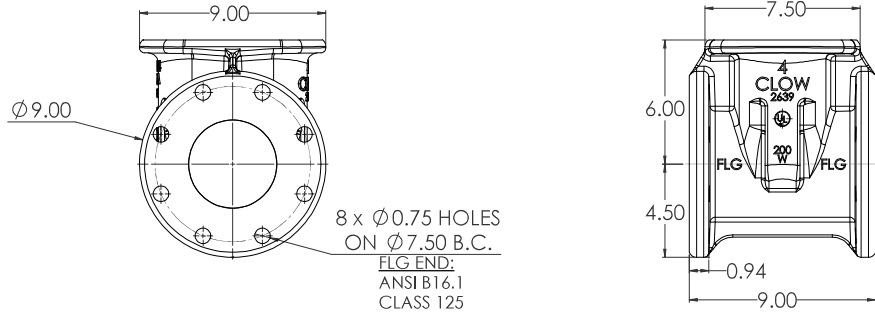
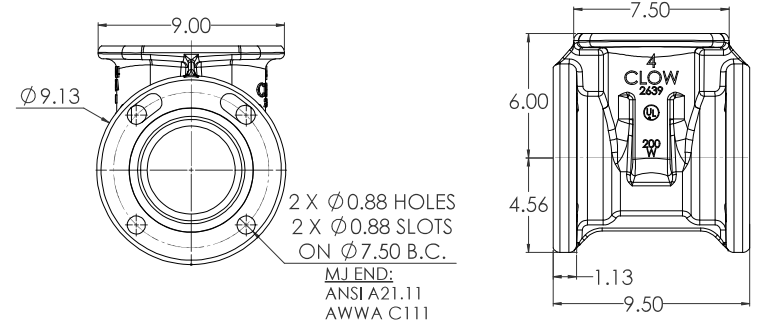


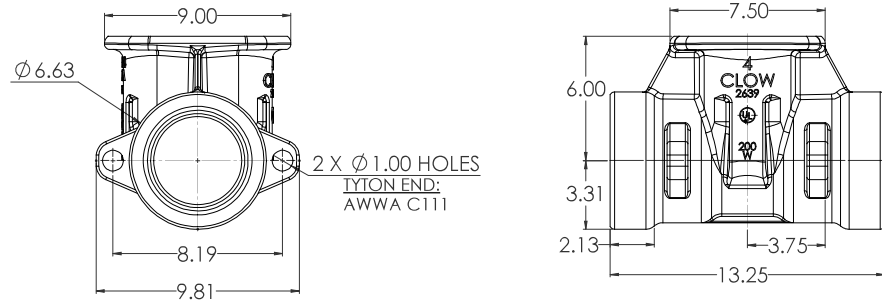
04" C509 FLG X FLG



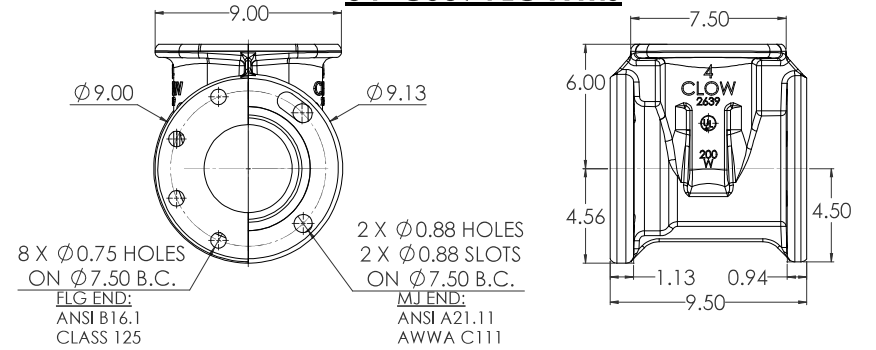
04" C509 MJ X MJ



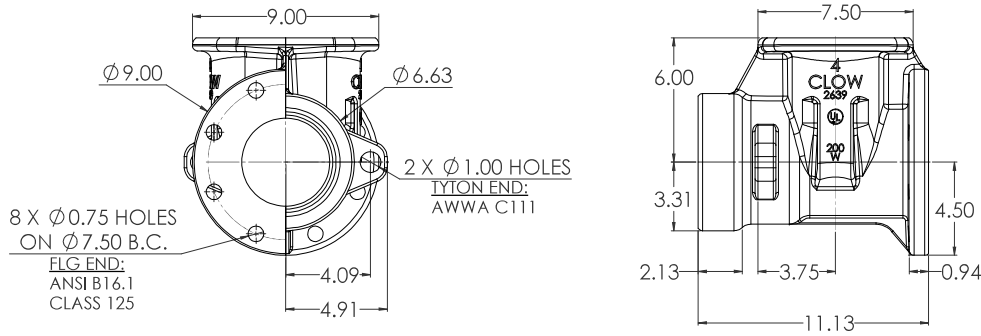
04" C509 TYTON X TYTON



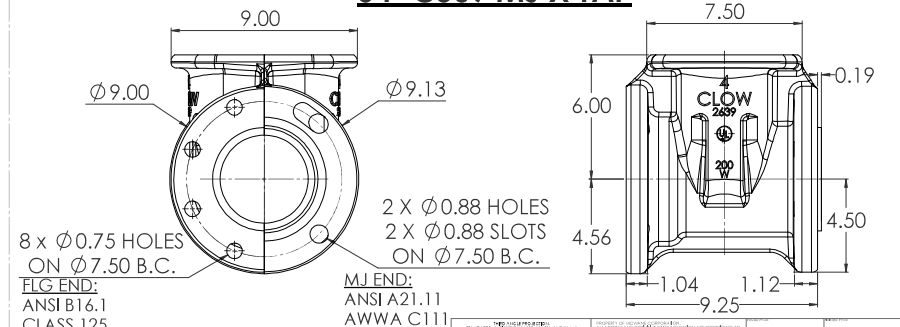
04" C509 FLG X MJ



04" C509 FLG X TYTON

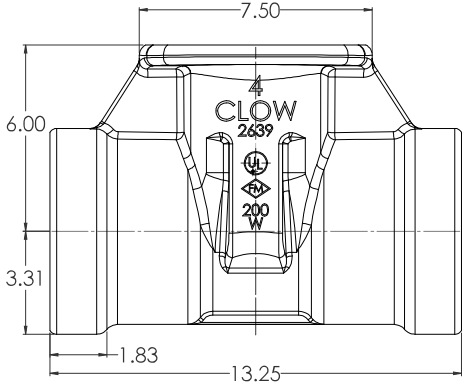
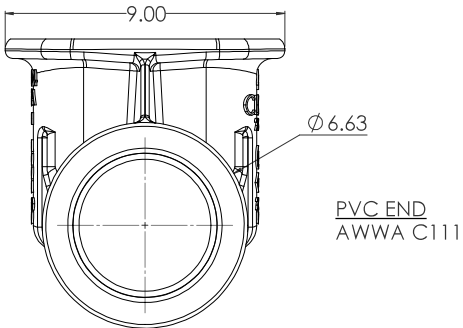


04" C509 MJ X TAP



COMPANY: CLOW VALVE & PIPE CO. DIVISION: VALVE DIVISION ADDRESS: 1201 W. 12TH ST., CHICAGO, ILL. 60607 PHONE: (773) 399-2000 FAX: (773) 399-2001 E-MAIL: SALES@CLOWVALVE.COM		PROJECT: 04" C509 NRS RESILIENT LBS. WEDGE GATE VALVE DRAWING NO: 12/12020 SCALE: 1:3 DATE: 12/1/2020 DRAWN BY: [Blank] CHECKED BY: [Blank]		SHEET NO: 6 TOTAL SHEETS: 6
---	--	--	--	--------------------------------

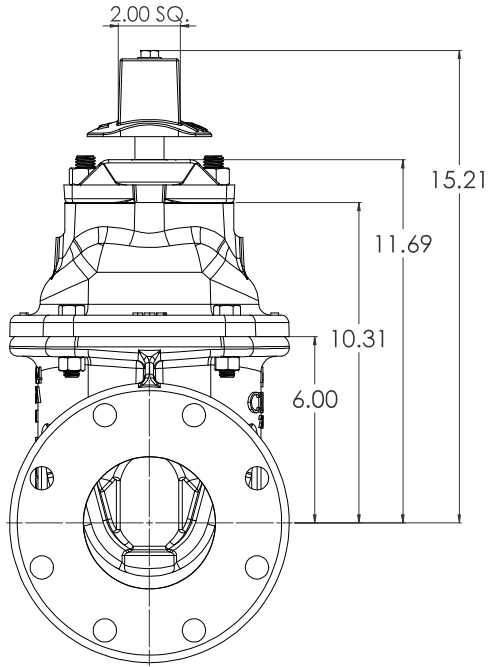
04" C509 PVC X PVC



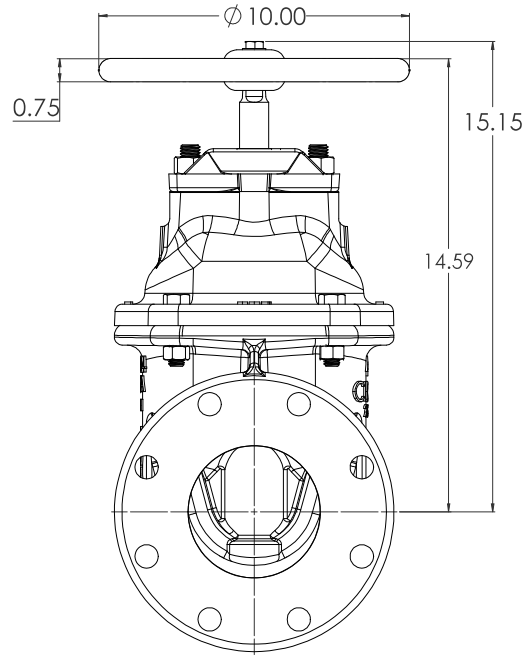
CLOW VALVE CO. 12750 W. 120th St., Omaha, NE 68144 (402) 426-1000 www.clowvalve.com		CLOW VALVE CO. 12750 W. 120th St., Omaha, NE 68144 (402) 426-1000 www.clowvalve.com		CLOW VALVE CO. 12750 W. 120th St., Omaha, NE 68144 (402) 426-1000 www.clowvalve.com	
C509 RESILIENT 04" 150# 12" 150# 18" 150# 24" 150#	AWWA C509 AWWA C509 AWWA C509 AWWA C509	12/1/2020	12/1/2020	12/1/2020	12/1/2020
04" C509 NRS RESILIENT LBS. WEDGE GATE VALVE			T:2 6		

CLOW
VALVE CO.

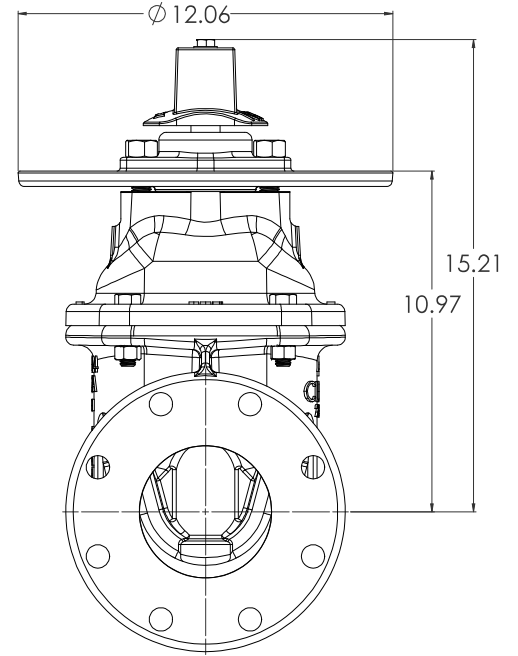
**O-RING PLATE WITH
OPERATING NUT**



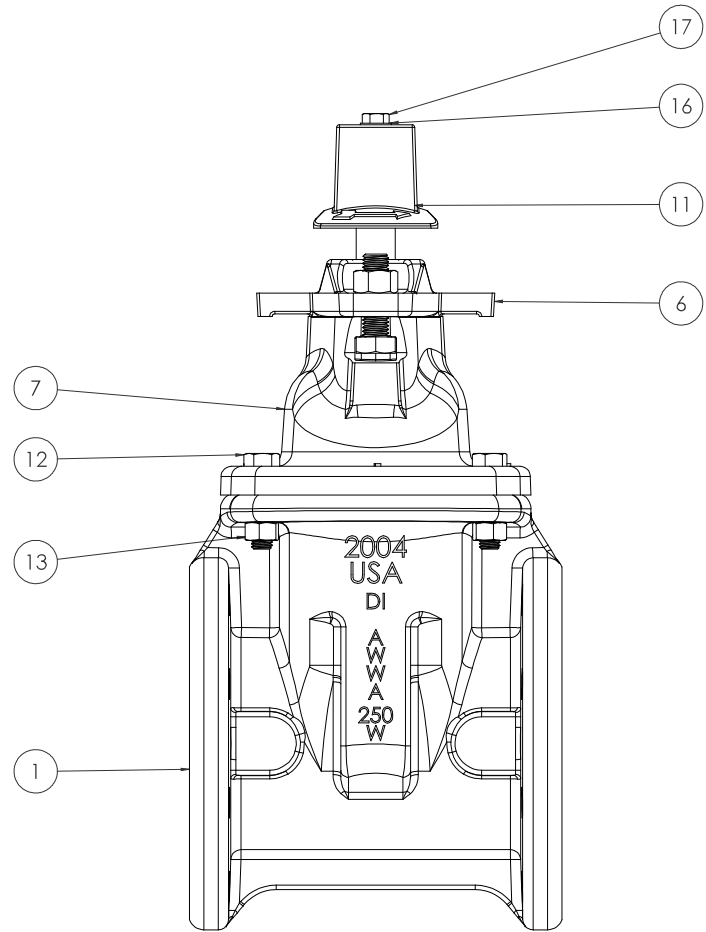
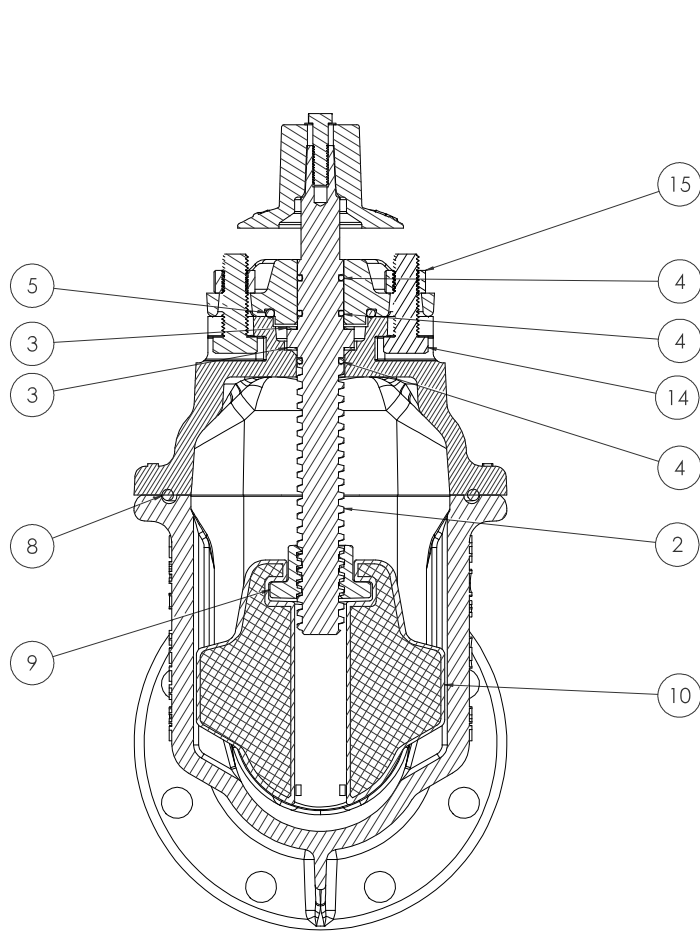
**O-RING PLATE WITH
HANDWHEEL**



**INDICATOR POST PLATE
WITH OPERATING NUT**



CLW CONSTRUCTION LOGIC WORKS 1221/2000		PROJECT NO. 1221/2000 DRAWING NO. 1221/2000-01 DATE 12/1/2000		SHEET NO. 3 TOTAL SHEETS 6	
TITLE: Q4" C509 NRS RESILIENT WEDGE GATE VALVE		SCALE: 1:5		DRAWN BY: [Blank]	
CHECKED BY: [Blank]		APPROVED BY: [Blank]		DATE: [Blank]	



CLW WATER VALVE CO.		1201/20200		1:5		SolidsWorks 2016 SP2	
DATE: 11/20/2016 TIME: 10:50:00 AM USER: jw HOST: JAMESWATSON	PART: 1201/20200 REV: 1 DATE: 11/20/2016 TIME: 10:50:00 AM USER: jw HOST: JAMESWATSON	TITLE: 1201/20200 REV: 1 DATE: 11/20/2016 TIME: 10:50:00 AM USER: jw HOST: JAMESWATSON	PART: 1201/20200 REV: 1 DATE: 11/20/2016 TIME: 10:50:00 AM USER: jw HOST: JAMESWATSON	TITLE: 1201/20200 REV: 1 DATE: 11/20/2016 TIME: 10:50:00 AM USER: jw HOST: JAMESWATSON	PART: 1201/20200 REV: 1 DATE: 11/20/2016 TIME: 10:50:00 AM USER: jw HOST: JAMESWATSON	TITLE: 1201/20200 REV: 1 DATE: 11/20/2016 TIME: 10:50:00 AM USER: jw HOST: JAMESWATSON	PART: 1201/20200 REV: 1 DATE: 11/20/2016 TIME: 10:50:00 AM USER: jw HOST: JAMESWATSON
Q4" C509 NRS RESILIENT WEDGE GATE VALVE				4	6	D	1

<u>ITEM NO.</u>	<u>COMPONENT</u>	<u>QTY.</u>	<u>SIZE</u>	<u>STANDARD MATERIAL</u>	<u>MATERIAL OPTIONS</u>
1	BODY	1	-	CAST IRON	DUCTILE IRON
2	STEM	1	-	C86200	C99500 (LOW ZINC), 304 SS, 316 SS
3	THRUST WASHER	2	-	ACETAL	C26000
4	O-RING	3	#212	EPDM	BUNA-N
5	O-RING	1	#331	EPDM	BUNA-N
6	O-RING PLATE	1	-	DUCTILE IRON	**INDICATOR POST PLATE**
7	COVER	1	-	CAST IRON	DUCTILE IRON
8	O-RING	1	#437	EPDM	BUNA-N
9	STEM NUT	1	-	C87850	C87610 (LOW ZINC)
10	WEDGE	1	-	EPDM/DUCTILE IRON	-
11	OPERATING NUT	1	-	CAST IRON	DUCTILE IRON, C86700, **10" DIA. HANDWHEEL**
12	HEX HEAD CAP SCREW	4	1/2"-13 X 2"	18-8 SS	316 SS
13	HEX NUT	4	1/2"-13	18-8 SS	316 SS
14	HEX HEAD CAP SCREW	2	5/8"-11 X 2	18-8 SS	316 SS
15	HEX NUT	2	5/8"-11	18-8 SS	316 SS
16	WASHER	1	3/8"	18-8 SS	316 SS
17	HEX HEAD CAP SCREW	1	3/8"-16 X 1 1/2"	18-8 SS	316 SS

- VALVES CONFORM WITH THE FOLLOWING STANDARDS
 - AWWA C509
 - NSF 61
- LOW ZINC BRASS STEM AND STEM NUT AVAILABLE
- 100% DOMESTIC FASTENERS AND ORINGS OPTIONS AVAILABLE
- *OPEN LEFT* (COUNTERCLOCKWISE) AND *OPEN RIGHT* (CLOCKWISE) OPTIONS AVAILABLE
- TURNS TO OPEN FROM FULLY CLOSED: 12
- AWWA MAXIMUM ALLOWABLE TORQUE TO CLOSE 75 FT-LBS
- OPTIONAL HANDWHEEL CAN BE SUBSTITUTED FOR STANDARD 2" SQUARE OP NUTS.
 - ****NOTE: STANDARD HANDWHEELS SIZE CALLED OUT IN PARTS LIST.****

<small> COMPANY: CLW ADDRESS: 1500 W. 12TH AVENUE DENVER, CO 80202 PHONE: 303.440.1500 FAX: 303.440.1501 WWW.CLW.COM </small>	<small> PROJECT: 04" C509 NRS RESILIENT LBS. WEDGE GATE VALVE DATE: 12/1/2009 DRAWN BY: TJS </small>	<small> SHEET NO: 5 OF 6 DATE: 12/1/2009 </small>	<small> CLW WATER CO </small>
--	---	---	---