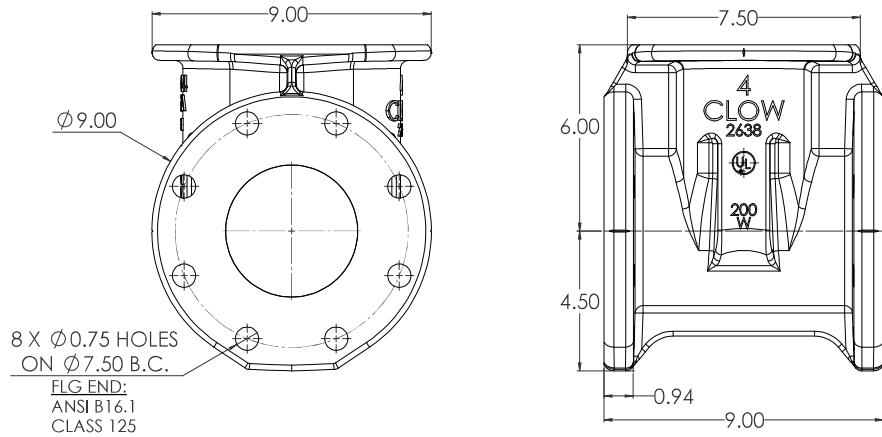
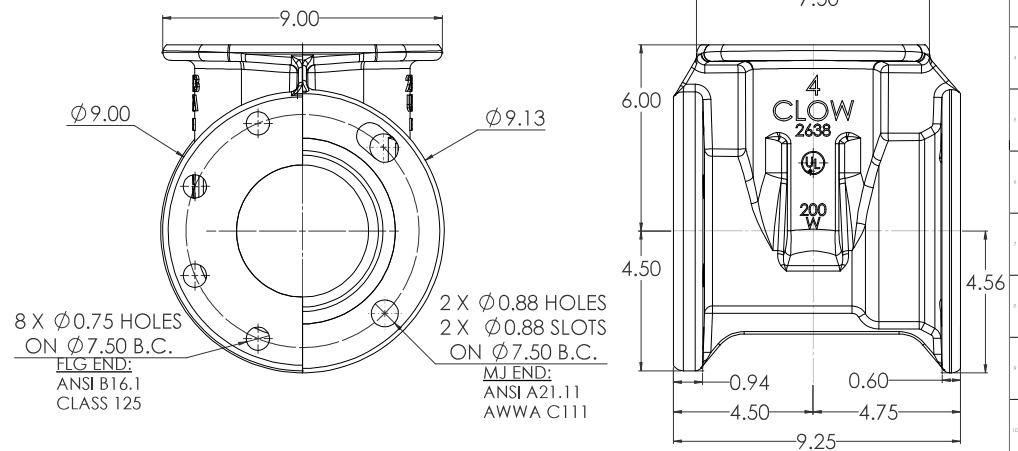


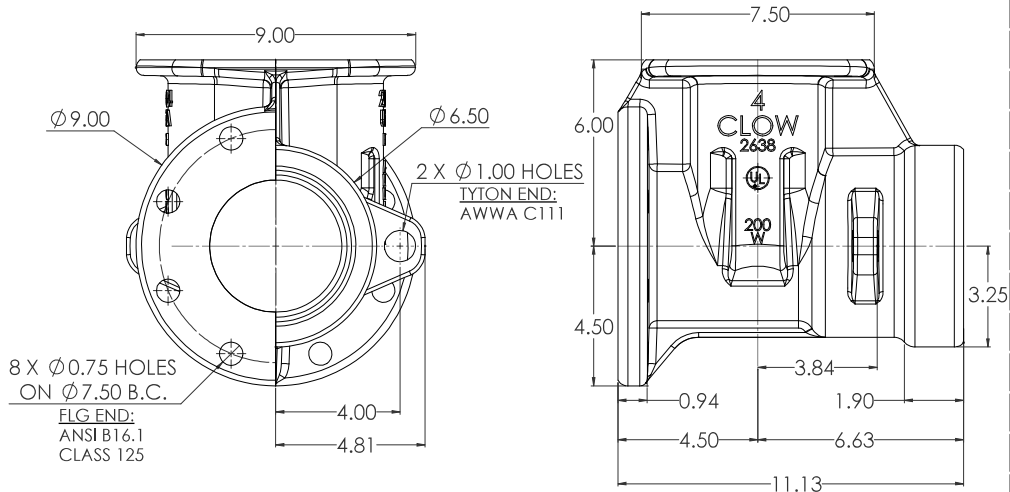
04" C515 FLG X FLG



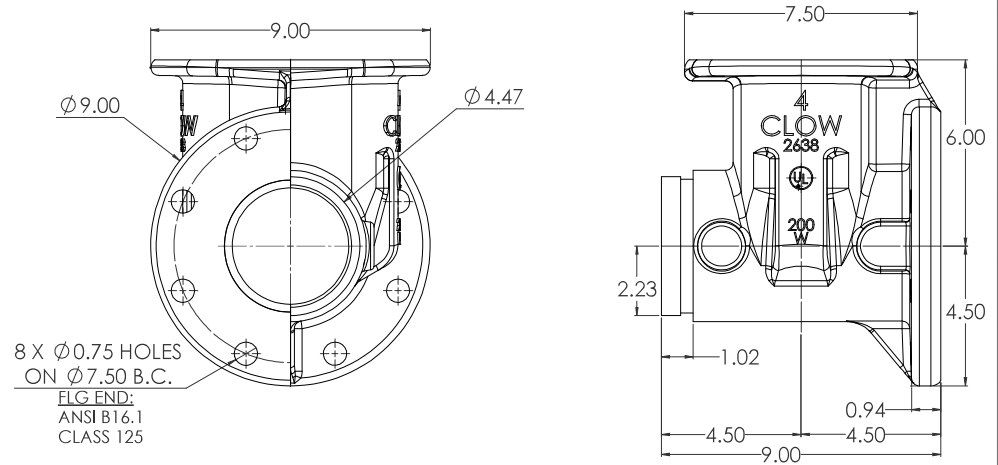
04" C515 FLG X MJ



04" C515 FLG X TYTON

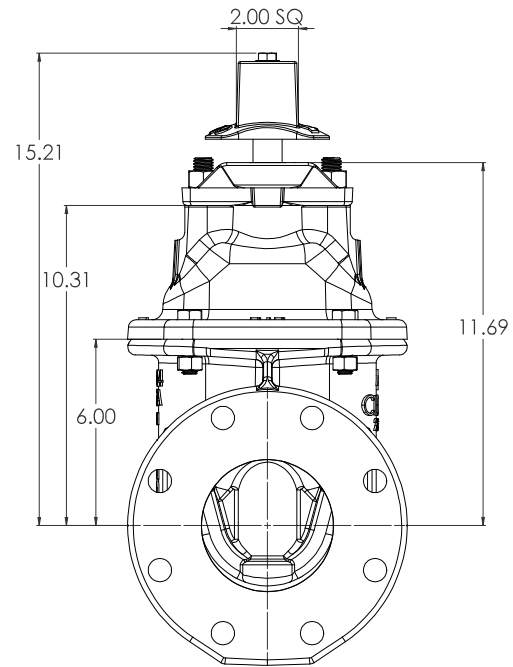


04" C515 FLG X GRVD

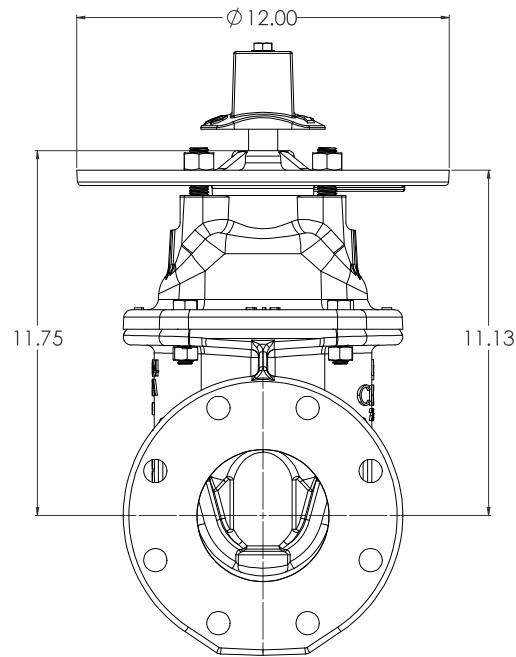


COMPANY: CLOW VALVE CO. ADDRESS: 1000 W. 10TH ST., ST. LOUIS, MO 63102 PHONE: (314) 431-1000 FAX: (314) 431-1001 WWW: www.clow.com	PRODUCT: 04" C515 NRS RESILIENT WEDGE GATE VALVE LBS. 125	DATE: 10/01/2020 DRAWN: CW CHECKED: [blank] APPROVED: [blank]	SHEET NO. 6 TOTAL SHEETS 6 PROJECT NO. [blank]	CLW VALVE CO.
--	--	--	--	------------------

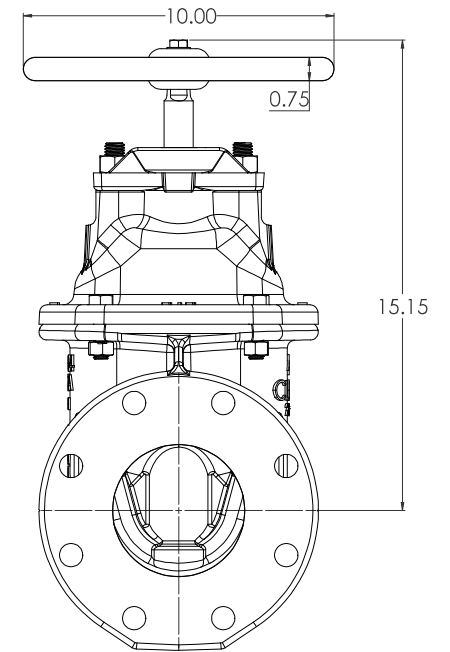
**OPERATING NUT WITH
O-RING PLATE**



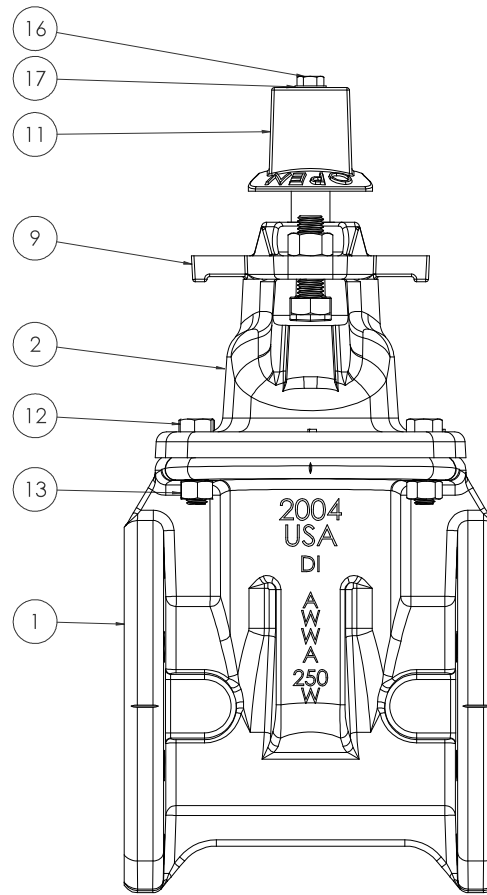
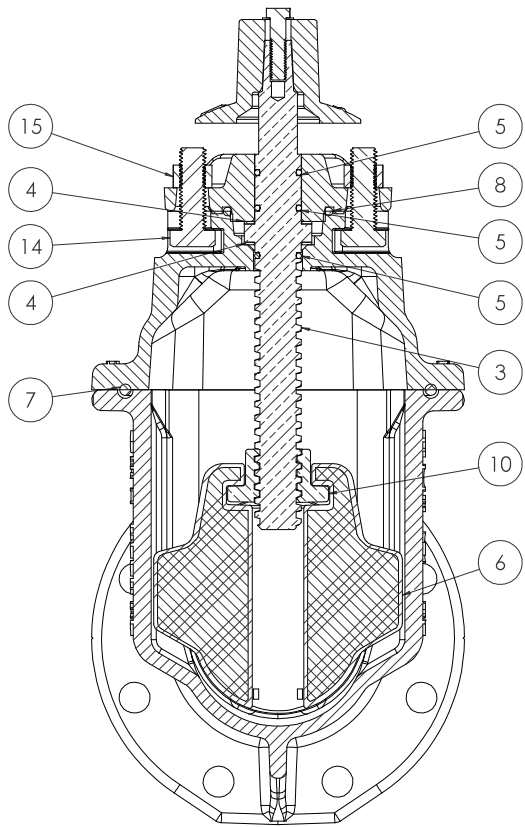
**OPERATING NUT WITH
INDICATOR POST PLATE**



**HANDWHEEL WITH
O-RING PLATE**



COMPANY: CLW ADDRESS: 10000 W. 10th Ave., Suite 100, Denver, CO 80202 PHONE: (303) 751-1000 FAX: (303) 751-1001 WWW: www.clw.com		PROJECT: B DRAWING: 04" C515 NRS RESILIENT LBS. WEDGE GATE VALVE SCALE: 1:5 DATE: 10/01/2020		SHEET: 3 TOTAL: 6 DRAWN BY: D
---	--	---	--	--



COMPANY: CLW ADDRESS: 10000 W. 10th Ave., Suite 100, Denver, CO 80202 PHONE: (303) 751-1000 FAX: (303) 751-1001 WWW: www.clw.com		DIVISION: VALVE PRODUCT: WEDGE GATE VALVE MODEL: 04' C515 NRS RESILIENT SIZE: LBS. MATERIAL: DI WEIGHT: 250 PART NO: 10000		DATE: 10/01/2008 DRAWN BY: CW CHECKED BY: 10/01/2008 TIT: T:10 SCALE: 1:1 SHEET NO: 6 OF 6	
---	--	---	--	--	--

CLW
VALVE CO.

4
6

D

<u>ITEM NO.</u>	<u>COMPONENT</u>	<u>QTY.</u>	<u>SIZE</u>	<u>STANDARD MATERIAL</u>	<u>MATERIAL OPTIONS</u>
1	BODY	1	-	DUCTILE IRON	-
2	COVER	1	-	DUCTILE IRON	-
3	STEM	1	-	C86200	C99500 (LOW ZINC), 304 SS, 316 SS
4	THRUST WASHER	2	-	ACETAL	C26000
5	O-RING	3	#212	EPDM	BUNA-N
6	WEDGE	1	-	EPDM/DUCTILE IRON	-
7	O-RING	1	#437	EPDM	BUNA-N
8	O-RING	1	#331	EPDM	BUNA-N
9	O-RING PLATE	1	-	DUCTILE IRON	-
10	STEM NUT	1	-	C87850	C87610 (LOW ZINC)
11	OPERATING NUT	1	-	DUCTILE IRON	C86700, **10" DIA. HANDWHEEL**
12	HEX HEAD CAP SCREW	4	5/8"-11 X 1 3/4"	18-8 SS	316 SS
13	HEX NUT	4	1/2"-13	18-8 SS	316 SS
14	HEX HEAD CAP SCREW	2	5/8"-11 X 2	18-8 SS	316 SS
15	HEX NUT	2	5/8"-11	18-8 SS	316 SS
16	HEX HEAD CAP SCREW	1	3/8"-16 X 1 1/2"	18-8 SS	316 SS
17	WASHER	1	3/8"	18-8 SS	316 SS

- VALVES CONFORM WITH THE FOLLOWING STANDARDS
 - AWWA C515
 - NSF 61
- LOW ZINC BRASS STEM AND STEM NUT AVAILABLE
- 100% DOMESTIC FASTENERS AND ORINGS OPTIONS AVAILABLE
- *OPEN LEFT* (COUNTERCLOCKWISE) AND *OPEN RIGHT* (CLOCKWISE) OPTIONS AVAILABLE
- TURNS TO OPEN FROM FULLY CLOSED: 12
- AWWA MAXIMUM ALLOWABLE CLOSING TORQUE 75 FT-LBS
- OPTIONAL HANDWHEEL CAN BE SUBSTITUTED FOR STANDARD 2" SQUARE OP. NUTS.
 - **NOTE: STANDARD HANDWHEEL SIZE LISTED OUT IN PARTS LIST.**
- MAXIMUM PRESSURE RATING 250 PSI

<small>CLW</small> <small>CLW</small>		<small>CLW</small> <small>CLW</small>		<small>CLW</small> <small>CLW</small>	
<small>DATE:</small> <small>REV:</small> <small>APP:</small> <small>CHK:</small> <small>DATE:</small> <small>REV:</small>	<small>DESCRIPTION:</small> <small>REV:</small> <small>APP:</small> <small>CHK:</small> <small>DATE:</small> <small>REV:</small>	<small>DATE:</small> <small>REV:</small> <small>APP:</small> <small>CHK:</small> <small>DATE:</small> <small>REV:</small>	<small>DATE:</small> <small>REV:</small> <small>APP:</small> <small>CHK:</small> <small>DATE:</small> <small>REV:</small>	<small>DATE:</small> <small>REV:</small> <small>APP:</small> <small>CHK:</small> <small>DATE:</small> <small>REV:</small>	<small>DATE:</small> <small>REV:</small> <small>APP:</small> <small>CHK:</small> <small>DATE:</small> <small>REV:</small>
<small>04" C515 NRS RESILIENT</small> <small>LBS. WEDGE GATE VALVE</small>			<small>T:10</small> <small>5</small> <small>6</small>		