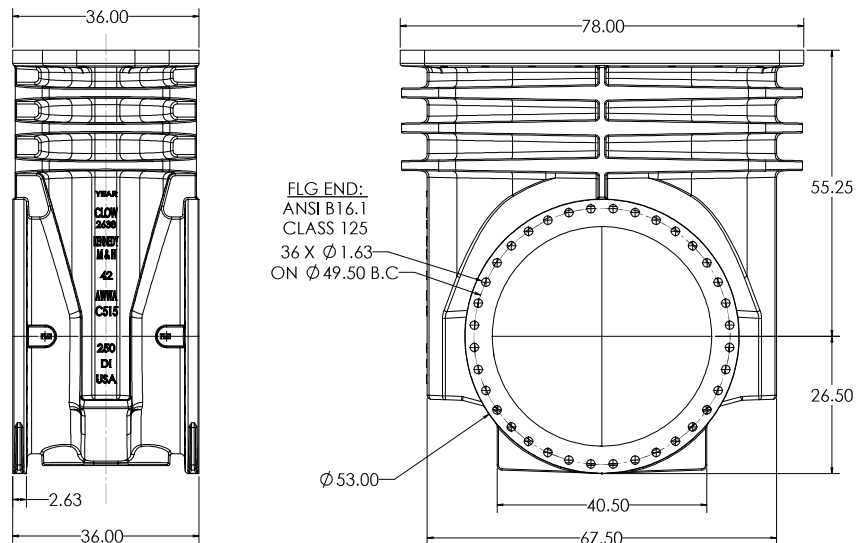
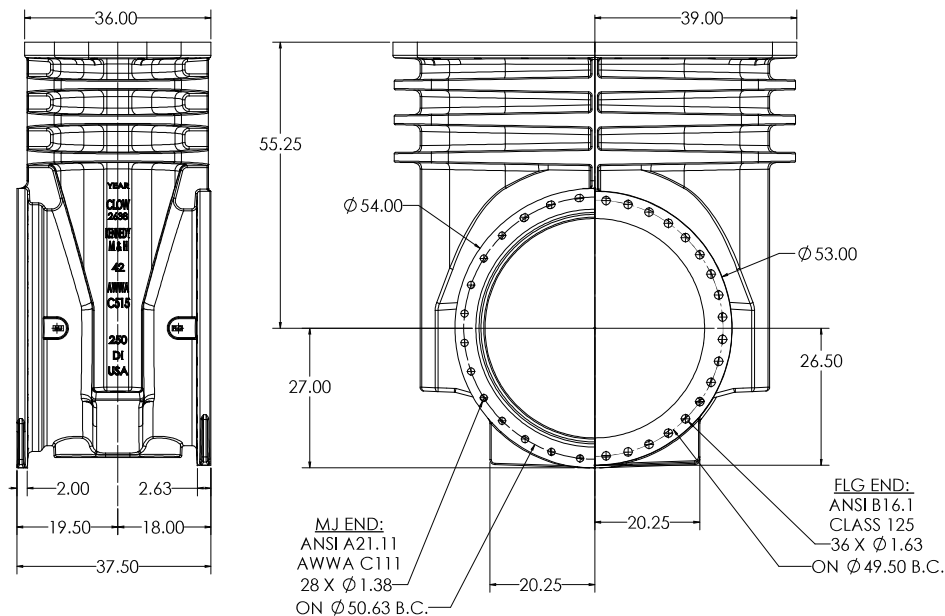


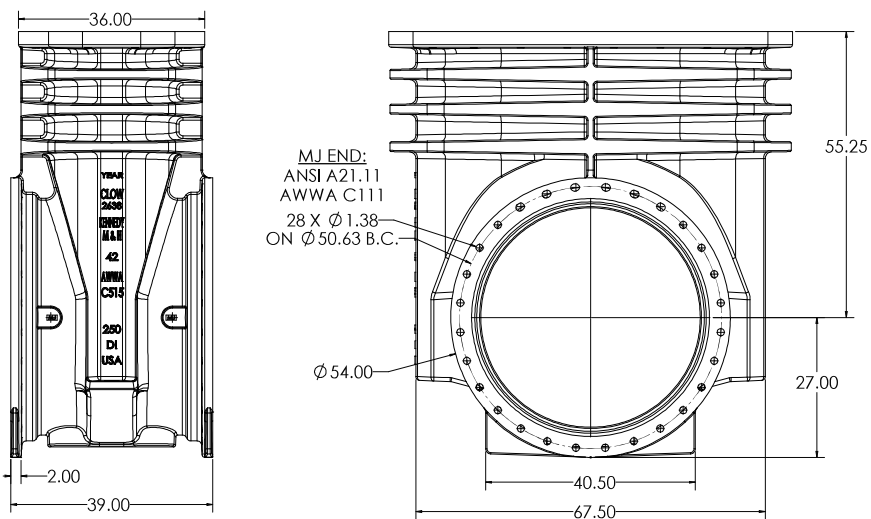
42" C515 FLG X FLG



42" C515 FLG X MJ

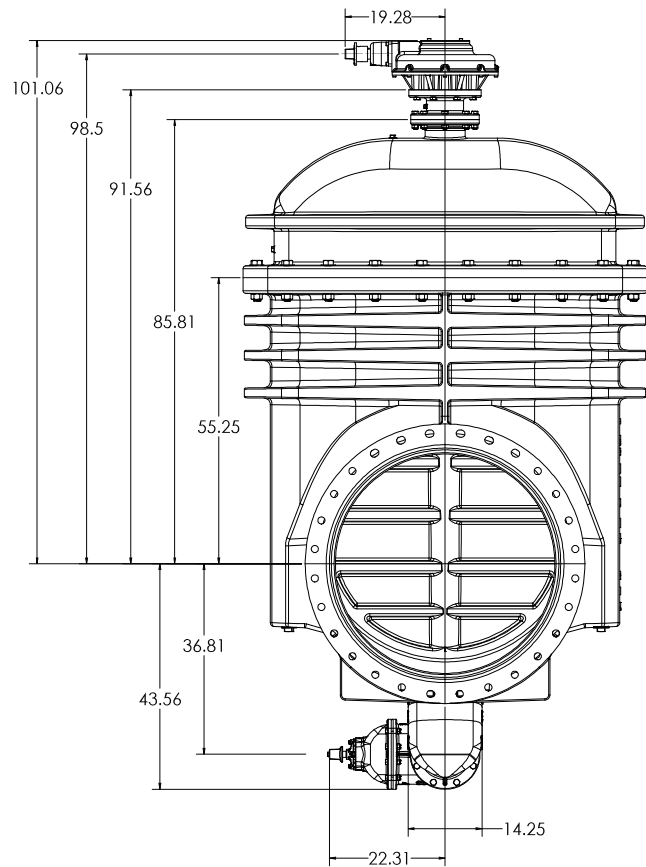


42" C515 MJ X MJ

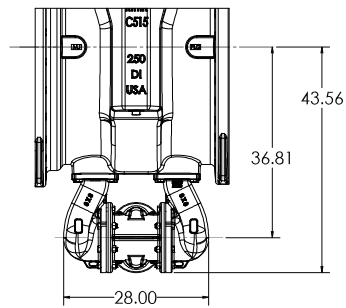


COMPANY: CLW ADDRESS: 10000 W. 10th Ave., Suite 100, Golden, CO 80401 PHONE: 303.440.1000 FAX: 303.440.1001 WWW: www.clw.com		PROJECT: 42" C515 NRS RESILIENT WEDGE GATE VALVE LBS.		SCALE: 1:12 SHEET: 7 DATE: 2/15/12	
DRAWN BY: [Name] CHECKED BY: [Name] APPROVED BY: [Name]		PROJECT NO.: [Number] SHEET NO.: 7 TOTAL SHEETS: [Number]		REVISIONS: [Table] 1. [Description]	

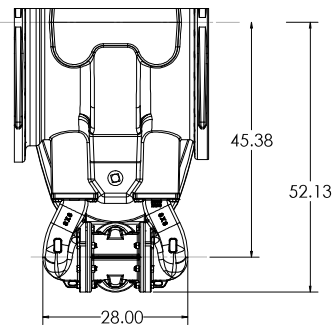
BEVEL GEAR WITH OPTIONAL BOTTOM BYPASS



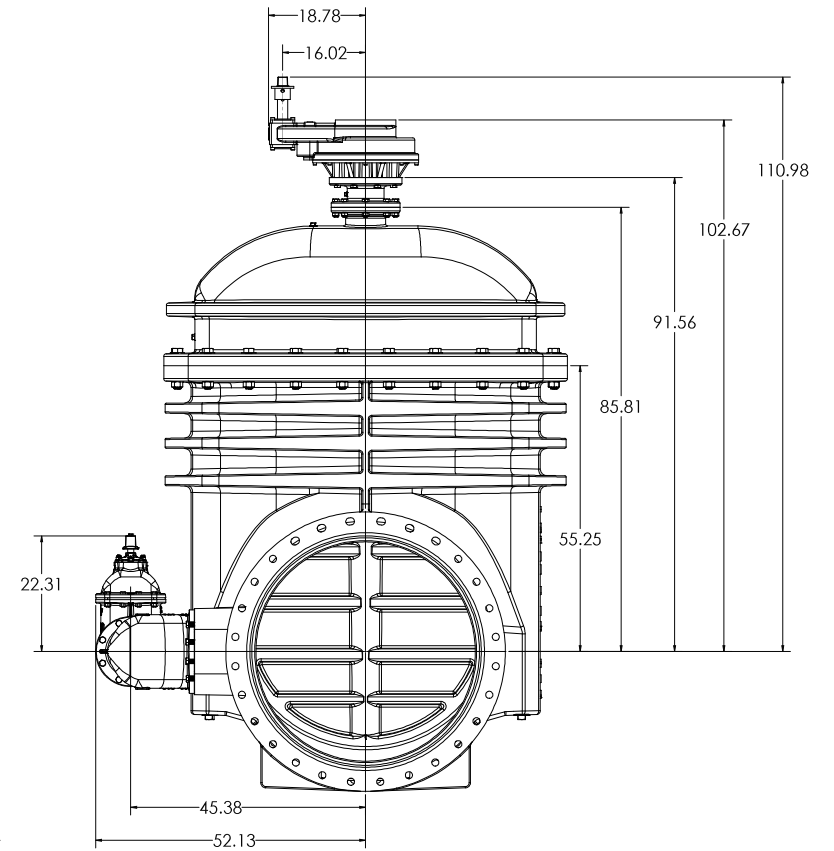
BOTTOM BYPASS



SIDE BYPASS



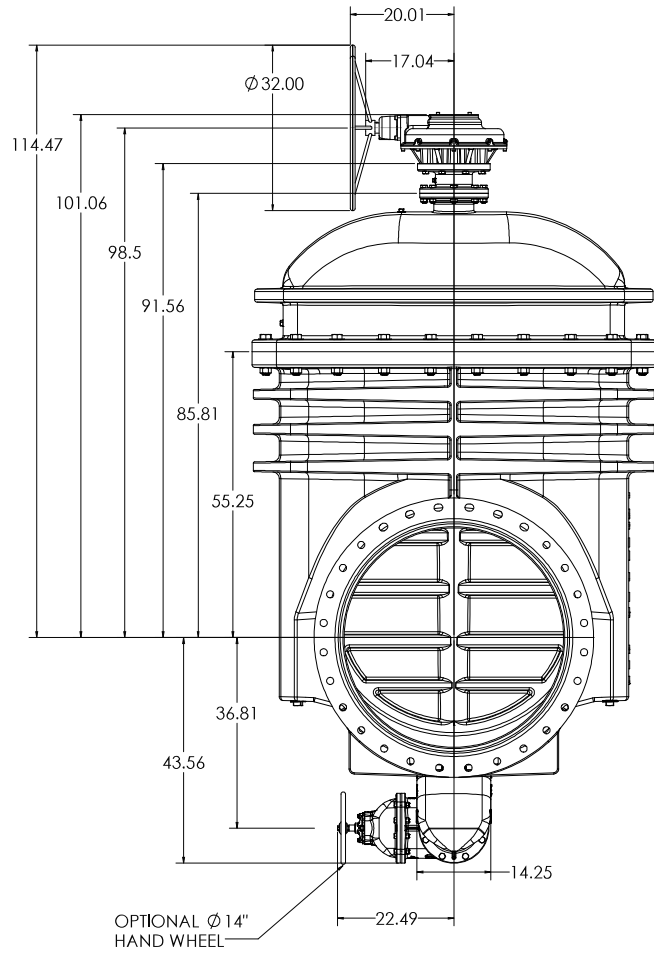
SPUR GEAR WITH OPTIONAL SIDE BYPASS



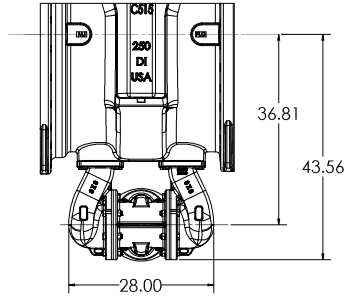
NOTE: GEARS CAN BE ROTATED IN 45° INCREMENTS FOR SPECIAL APPLICATIONS

42" CS18 NRS RESILIENT WEDGE GATE VALVE 150#		42" CS18 NRS RESILIENT WEDGE GATE VALVE 150#		42" CS18 NRS RESILIENT WEDGE GATE VALVE 150#		42" CS18 NRS RESILIENT WEDGE GATE VALVE 150#		42" CS18 NRS RESILIENT WEDGE GATE VALVE 150#	
DATE	REV	DESCRIPTION	BY	CHECKED	DATE	DATE	DATE	DATE	DATE
01/11/2017	1	ISSUE FOR MANUFACTURE	AL	AL	01/11/2017	01/11/2017	01/11/2017	01/11/2017	01/11/2017
PROJECT: 42" CS18 NRS RESILIENT WEDGE GATE VALVE LBS. GATE VALVE						SCALE: 1:12 SHEET: 7 OF 7			

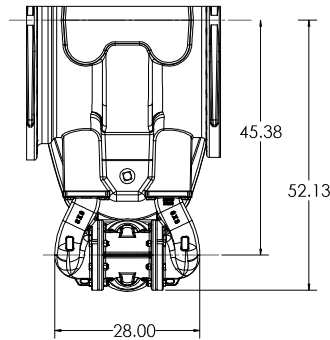
BEVEL GEAR WITH OPTIONAL BOTTOM BYPASS



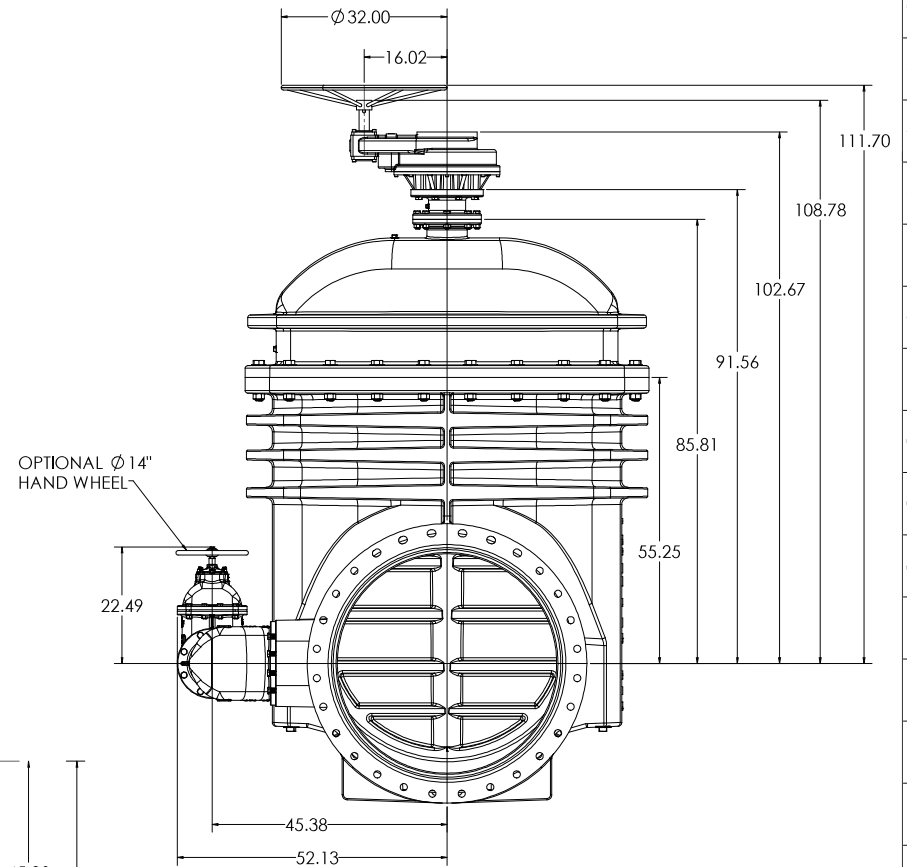
BOTTOM BYPASS



SIDE BYPASS

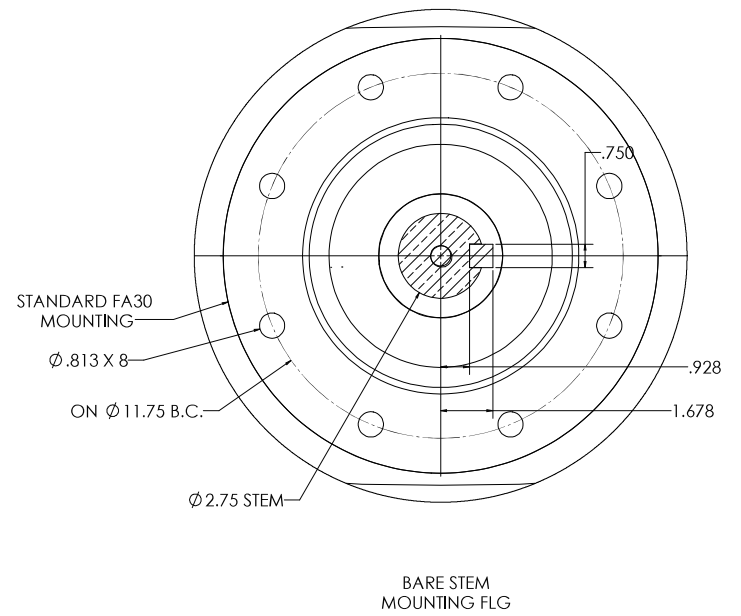
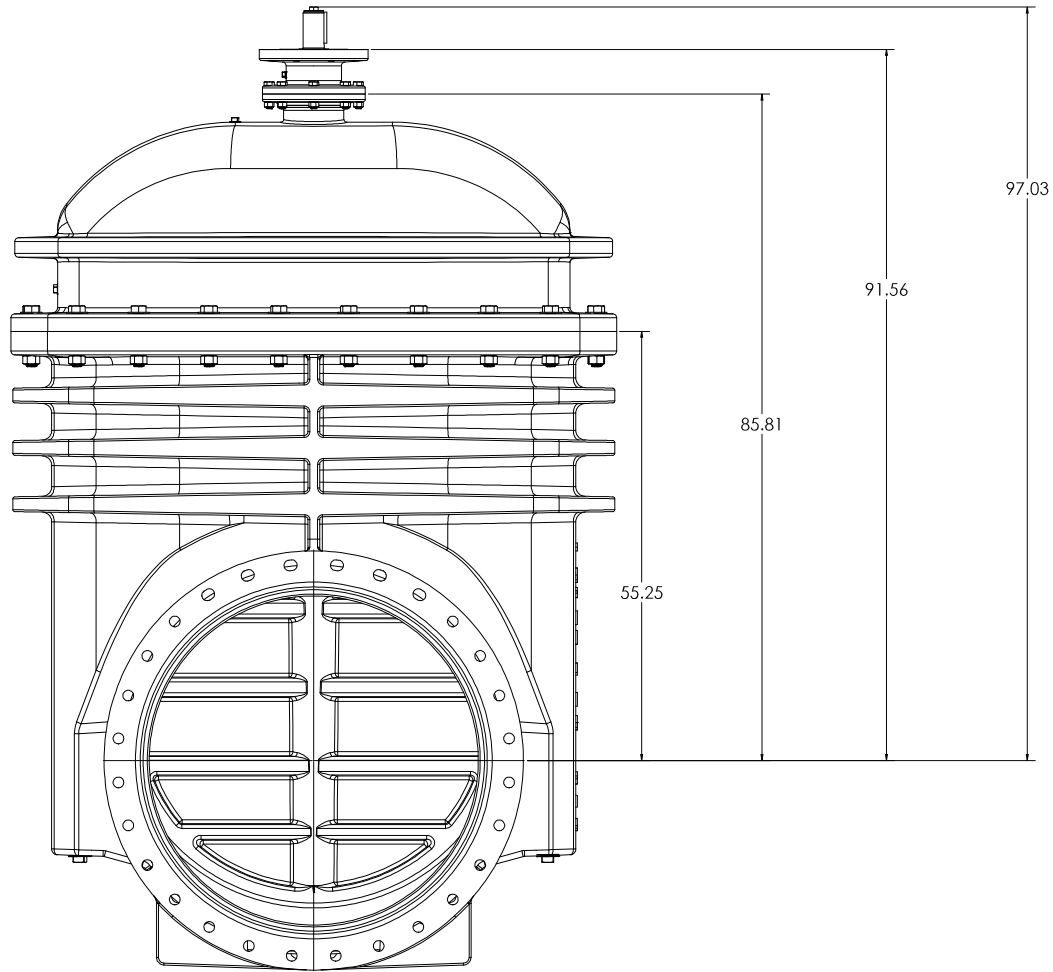


SPUR GEAR WITH OPTIONAL SIDE BYPASS



NOTE: GEARS CAN BE ROTATED IN 45° INCREMENTS FOR SPECIAL APPLICATIONS

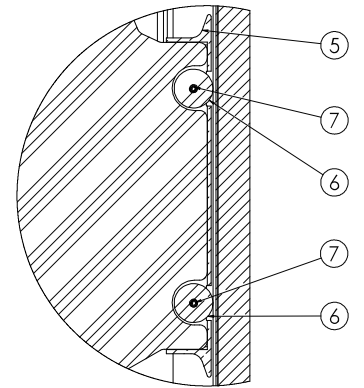
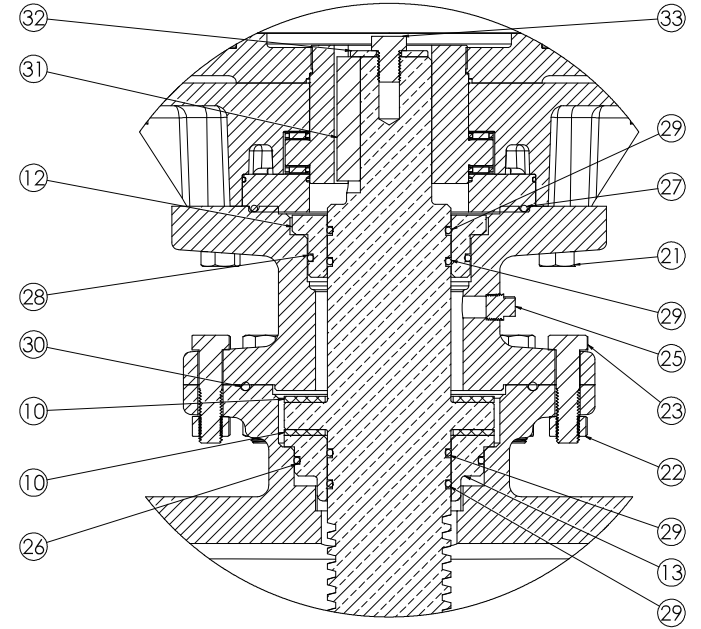
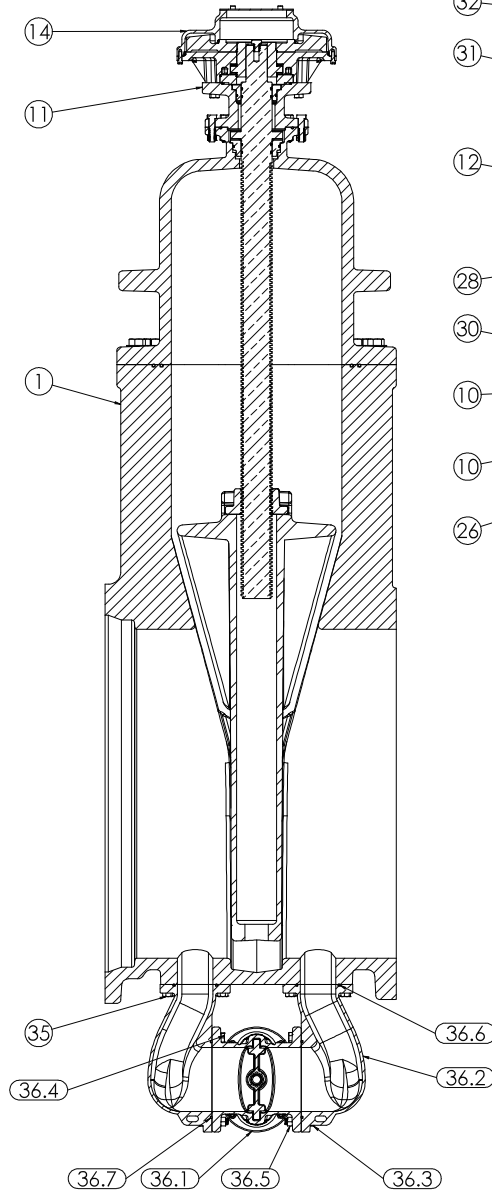
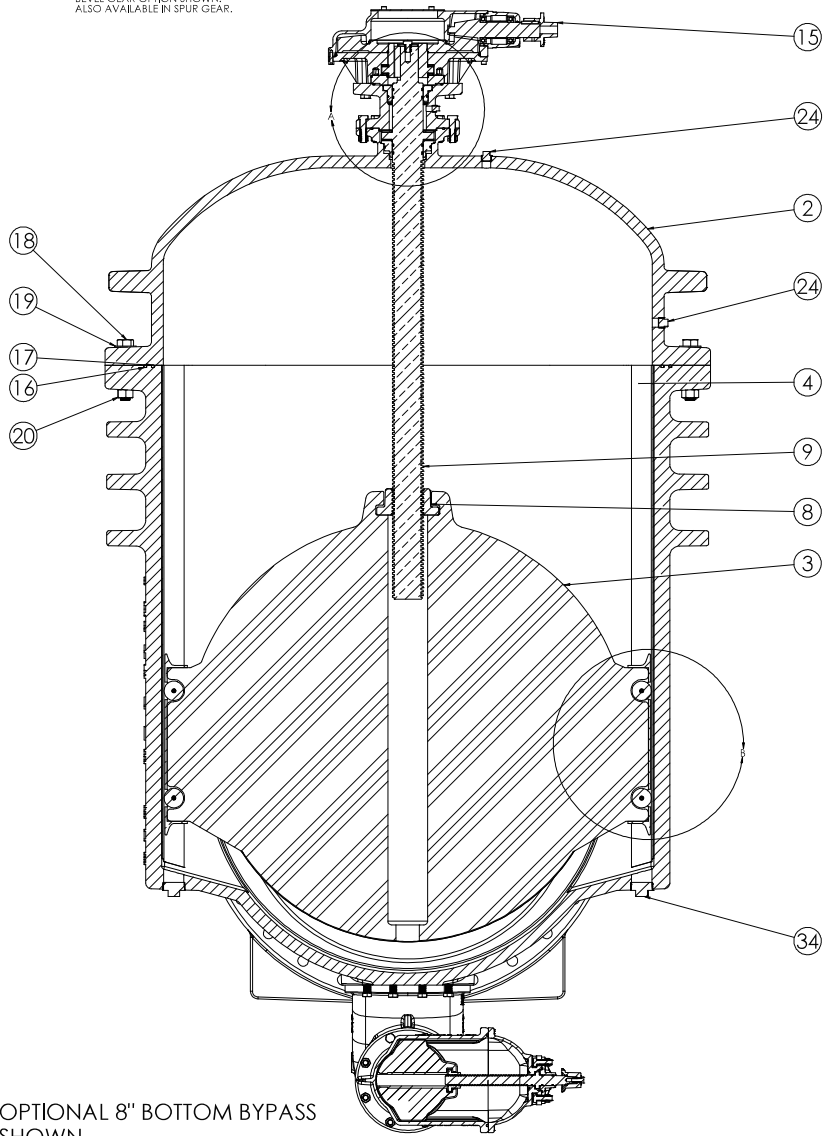
COMPANY: CLW ADDRESS: 10000 W. 10th Ave., Suite 100, Denver, CO 80202 PHONE: (303) 440-1000 FAX: (303) 440-1001 WEBSITE: www.clw.com	PROJECT: 42" CS18 NRS RESILIENT WEDGE GATE VALVE LBS.	DRAWING NO.: T-12 SCALE: 1:12 DATE: 2018.03.22	SHEET NO.: 7 TOTAL SHEETS: 7	CLW 10000 W. 10th Ave., Suite 100, Denver, CO 80202 (303) 440-1000
--	--	--	---------------------------------	--



DESIGNED BY: [blank] CHECKED BY: [blank] DATE: [blank]	DRAWN BY: [blank] DATE: [blank]	PROJECT: [blank]	SHEET NO: [blank]
TITLE: 42" CS18 NRS RESILIENT WEDGE GATE VALVE		SCALE: 1:5	DRAWN BY: [blank]
MATERIAL: LBS.		DATE: [blank]	PROJECT: [blank]
DRAWING NO: [blank]		SHEET NO: 7	TOTAL SHEETS: [blank]
COMPANY: [blank]		ADDRESS: [blank]	CITY: [blank]



BEVEL GEAR OPTION SHOWN.
ALSO AVAILABLE IN SPUR GEAR.



OPTIONAL 8" BOTTOM BYPASS
SHOWN.

AVAILABLE WITH SIDE BYPASS AND
WITHOUT BYPASS OPTIONS.

COMPANY: CLW ADDRESS: 10000 W. 10th Ave., Suite 100 DENVER, CO 80231 PHONE: 303.440.1000 FAX: 303.440.1001 WWW: www.clw.com		DIVISION: VALVES PRODUCT: GATE VALVES MODEL: 42" CS18 NRS RESILIENT WEDGE LBS. GATE VALVE T-38		A 5 D	CLW VALVE CO.
--	--	--	--	-------------	-------------------------

ITEM NO.	COMPONENT	QTY.	SIZE	STANDARD MATERIAL	MATERIAL OPTIONS
1	BODY	1	-	DUCTILE IRON	-
2	COVER	1	-	DUCTILE IRON	-
3	WEDGE	1	-	EPDM/DUCTILE IRON	-
4	TRACK	-	-	316 SS	-
5	SCRAPER	2	-	C95500	-
6	ROLLER	4	-	C95400	-
7	COILED SPRING PIN	4	1/2" X 2-3/4"	18-8 SS	316 SS
8	STEM NUT	1	-	C87850	C87610 (LOW ZINC)
9	STEM	1	-	C86200	C99500(LOW ZINC), 304 SS, 316 SS
10	THRUST WASHER	2	-	NYLATRON	-
11	ACTUATOR EXTENSION	1	-	DUCTILE IRON	-
12	STEM GUIDE BUSHING	1	-	C87850	-
13	COVER BUSHING	1	-	C87850	-
14	BEVEL GEAR	1	-	-	SPUR GEAR
15	OPERATING NUT	1	-	DUCTILE IRON	**Ø 32" HANDWHEEL**
16	O-RING	1	42" RS INNER COVER	EPDM	BUNA-N
17	O-RING	1	42" RS OUTER COVER	EPDM	BUNA-N
18	CAPSCREW	20	1-1/4" - 7 X 7"	18-8 SS	316 SS
19	FLAT WASHER	20	1-1/4"	18-8 SS	316 SS
20	HEX NUT	20	1-1/4" - 7	18-8 SS	316 SS
21	CAPSCREW	8	3/4" - 10 X 2-1/2"	18-8 SS	316 SS
22	HEX NUT	8	3/4" - 10	18-8 SS	316 SS
23	CAPSCREW	8	3/4" - 10 X 3"	18-8 SS	316 SS
24	PLUG	2	1" NPT	304 SS	316 SS
25	PLUG	1	1/2" NPT	316 SS	-
26	O-RING	1	#359	EPDM	BUNA-N
27	O-RING	1	#371	EPDM	BUNA-N
28	O-RING	1	#352	EPDM	BUNA-N
29	O-RING	4	#342	EPDM	BUNA-N
30	O-RING	1	#447	EPDM	BUNA-N
31	KEY	1	3/4" X 3/4" X 4"	18-8 SS	BUNA-N
32	KEY KEEPER	1	-	C95400	-
33	CAPSCREW	1	3/4" - 10 X 1"	18-8 SS	316 SS
34	PLUG	2	2-1/2" NPT	316 SS	-
35	CAPSCREW	16	3/4" - 10 X 1-3/4"	18-8 SS	316 SS
36	8IN RS BYPASS ASSEMBLY	1	-	-	-
36.1	08" C515 NRS VALVE ASSEMBLY	1	-	-	**Ø 14" HANDWHEEL**
36.2	BYPASS ELBOW	2	-	DUCTILE IRON	-
36.3	CAPSCREW	12	3/4" - 10 X 3-1/4"	18-8 SS	316 SS
36.4	CAPSCREW	4	3/4" - 10 X 2"	18-8 SS	316 SS
36.5	HEX NUT	12	3/4" - 10	18-8 SS	316 SS
36.6	O-RING	2	#450	EPDM	BUNA-N
36.7	O-RING	2	#448	EPDM	BUNA-N

- VALVES CONFORM WITH FOLLOWING STANDARDS
 - AWWA C515
 - NSF 61
- **LOW ZINC BRASS** STEM AND STEM NUT AVAILABLE
- **100% DOMESTIC FASTENERS AND ORINGS** OPTIONS AVAILABLE
- **OPEN LEFT** (CLOCKWISE) AND **OPEN RIGHT** (COUNTERCLOCKWISE) OPTIONS AVAILABLE
- TURNS TO OPEN FROM FULLY CLOSED: 800
 - ± 5% WITH STANDARD 8:1 BEVEL OR SPUR GEAR
- AWWA MAXIMUM ALLOWABLE CLOSING TORQUE 250 FT/LB INTO STANDARD GEARING
- OPTIONAL HANDWHEEL CAN BE SUBSTITUTED FOR STANDARD 2" SQUARE OP NUTS.
 - **NOTE: STANDARD HANDWHEEL SIZE CALLED OUT IN PARTS LIST.**
- OPTIONAL 8" BYPASS VALVE
 - TURNS TO OPEN: 26 (±5%)
 - MAX ALLOWABLE AWWA CLOSING TORQUE: 150FT/LB
- BOTH BOTTOM BYPASS AND SIDE BYPASS ASSEMBLIES USE THE SAME COMPONENTS
- MAXIMUM PRESSURE RATING 250 PSI

NOTE: COMPONENTS 35-36 ARE ONLY INCLUDED IN VALVE WITH BOTTOM BYPASS OR SIDE BYPASS OPTIONS

REV	DATE	DESCRIPTION	BY	CHKD
1	10/1/2018	ISSUE FOR QUOTE	CLW	CLW
2	10/1/2018	ISSUE FOR PURCHASE ORDER	CLW	CLW
3	10/1/2018	ISSUE FOR PURCHASE ORDER	CLW	CLW
4	10/1/2018	ISSUE FOR PURCHASE ORDER	CLW	CLW
5	10/1/2018	ISSUE FOR PURCHASE ORDER	CLW	CLW
6	10/1/2018	ISSUE FOR PURCHASE ORDER	CLW	CLW
7	10/1/2018	ISSUE FOR PURCHASE ORDER	CLW	CLW