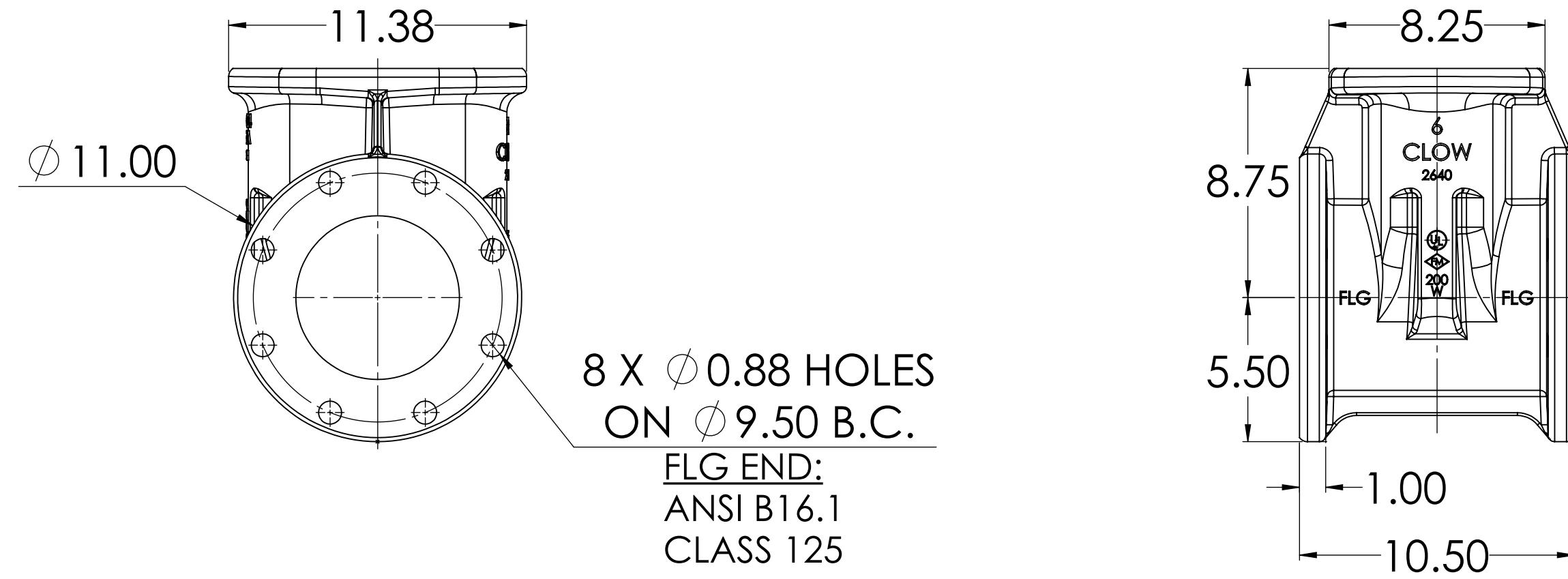
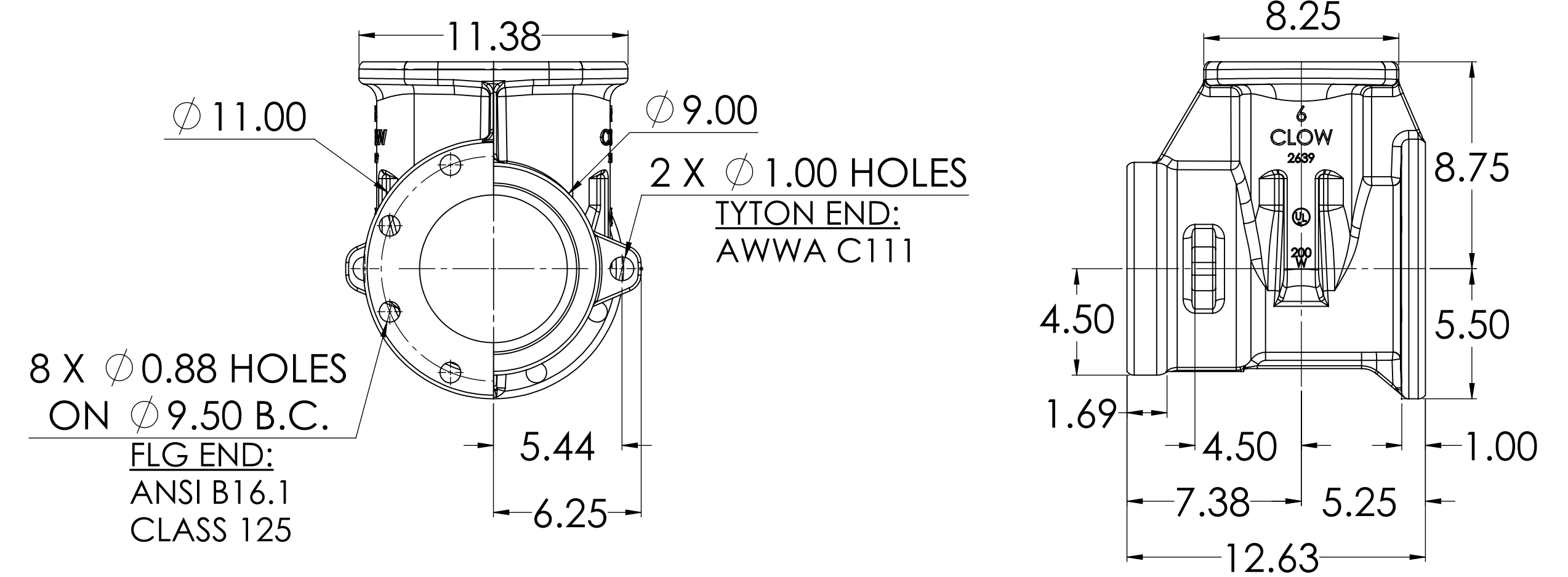


06" C509 FLG X FLG



8 X ϕ 0.88 HOLES
ON ϕ 9.50 B.C.
FLG END:
ANSI B16.1
CLASS 125

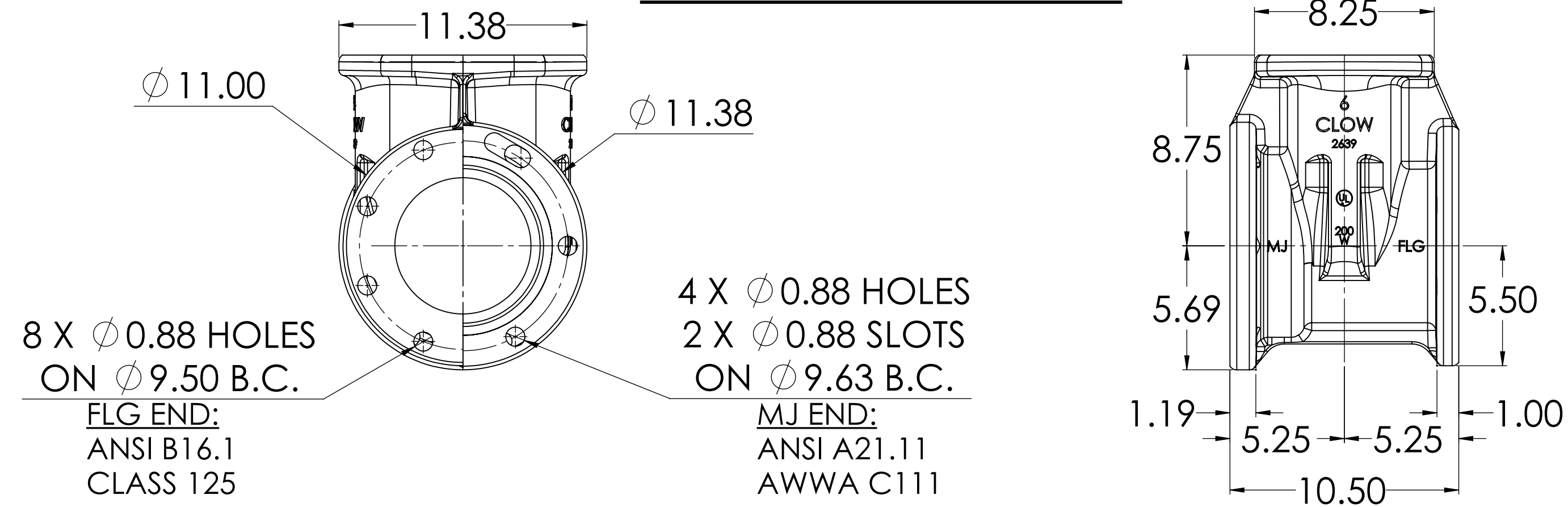
06" C509 FLG X TYTON



8 X ϕ 0.88 HOLES
ON ϕ 9.50 B.C.
FLG END:
ANSI B16.1
CLASS 125

2 X ϕ 1.00 HOLES
TYTON END:
AWWA C111

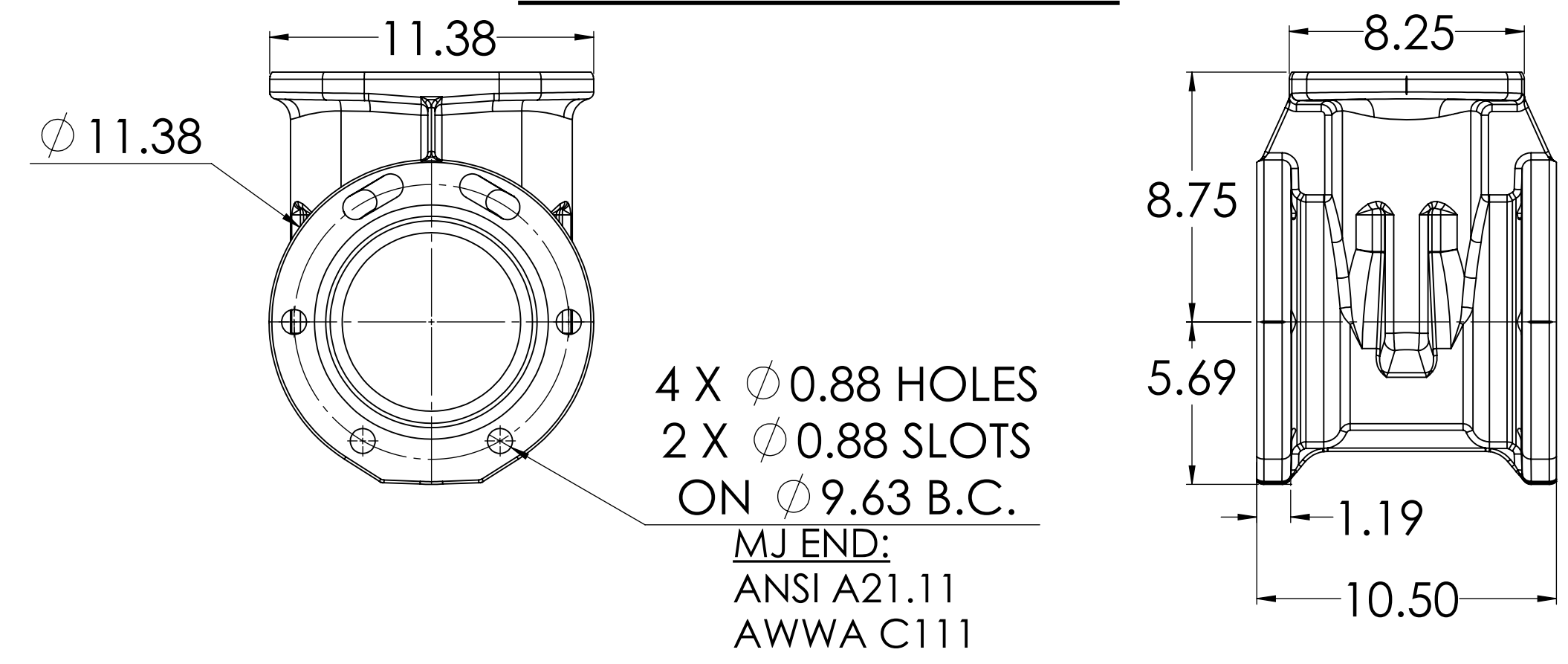
06" C509 FLG X MJ



8 X ϕ 0.88 HOLES
ON ϕ 9.50 B.C.
FLG END:
ANSI B16.1
CLASS 125

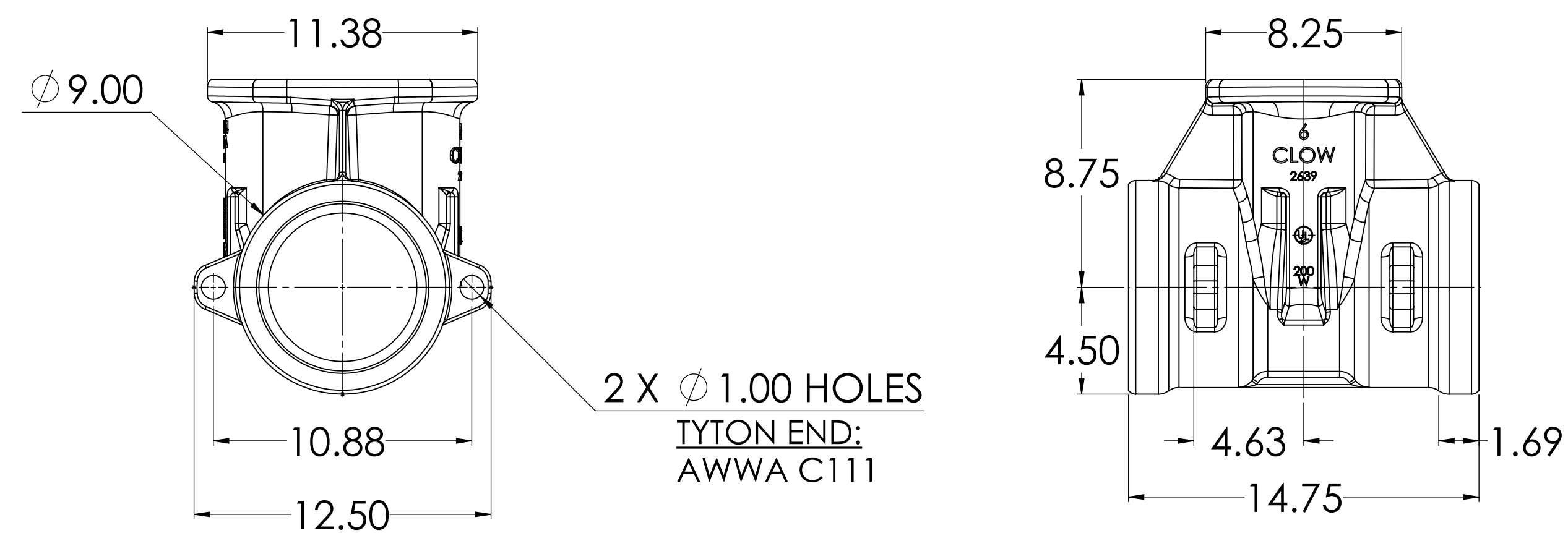
4 X ϕ 0.88 HOLES
2 X ϕ 0.88 SLOTS
ON ϕ 9.63 B.C.
MJ END:
ANSI A21.11
AWWA C111

06" C509 MJ X MJ



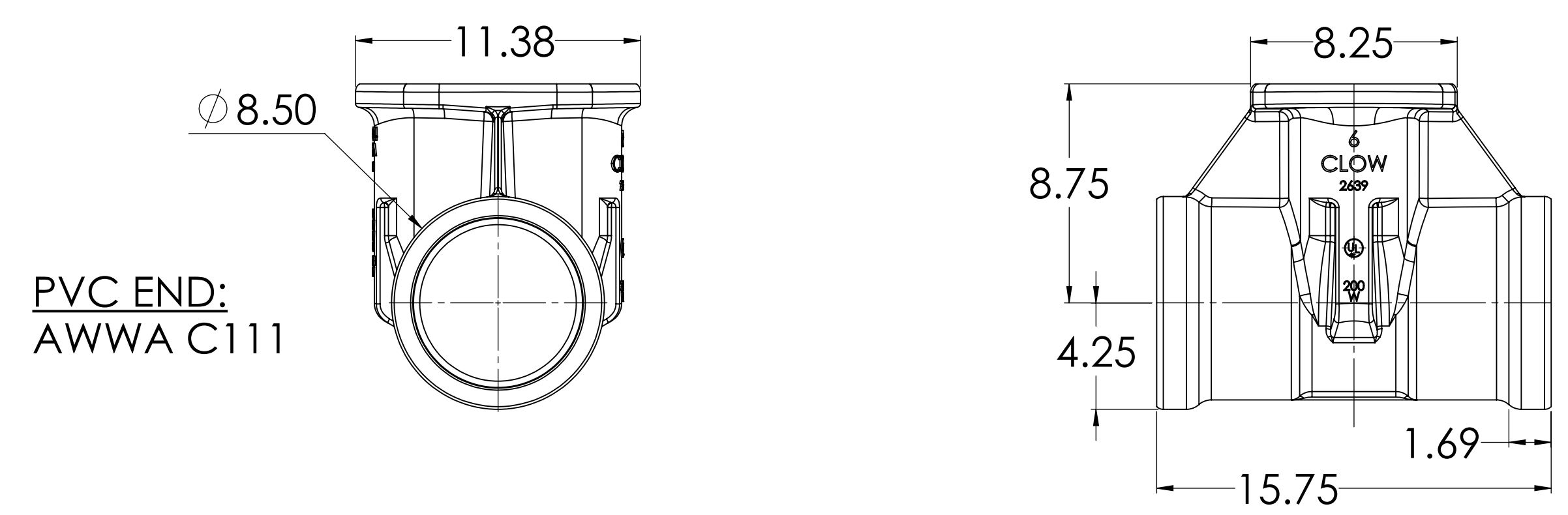
4 X ϕ 0.88 HOLES
2 X ϕ 0.88 SLOTS
ON ϕ 9.63 B.C.
MJ END:
ANSI A21.11
AWWA C111

06" C509 TYTON X TYTON



2 X ϕ 1.00 HOLES
TYTON END:
AWWA C111

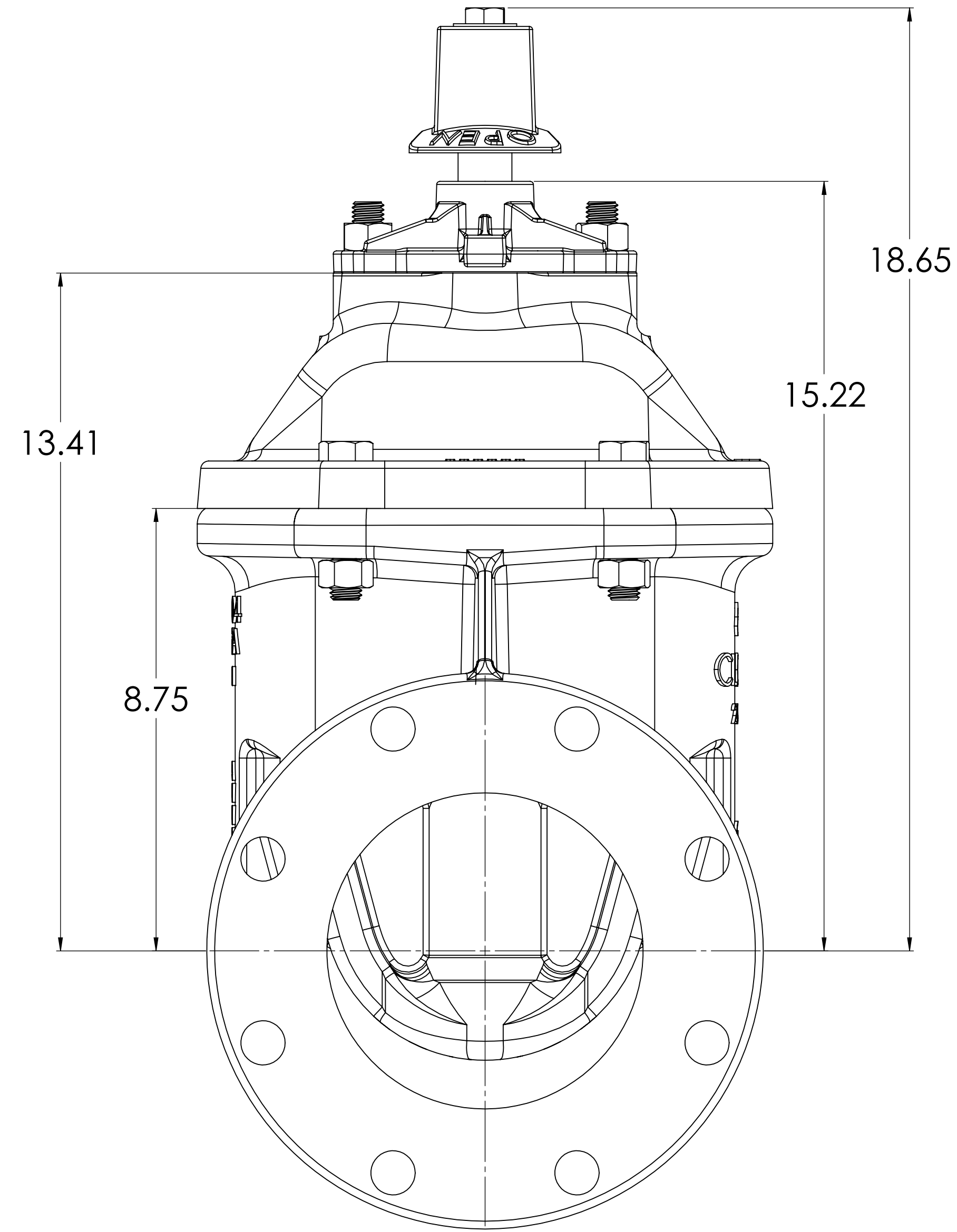
06" C509 PVC X PVC



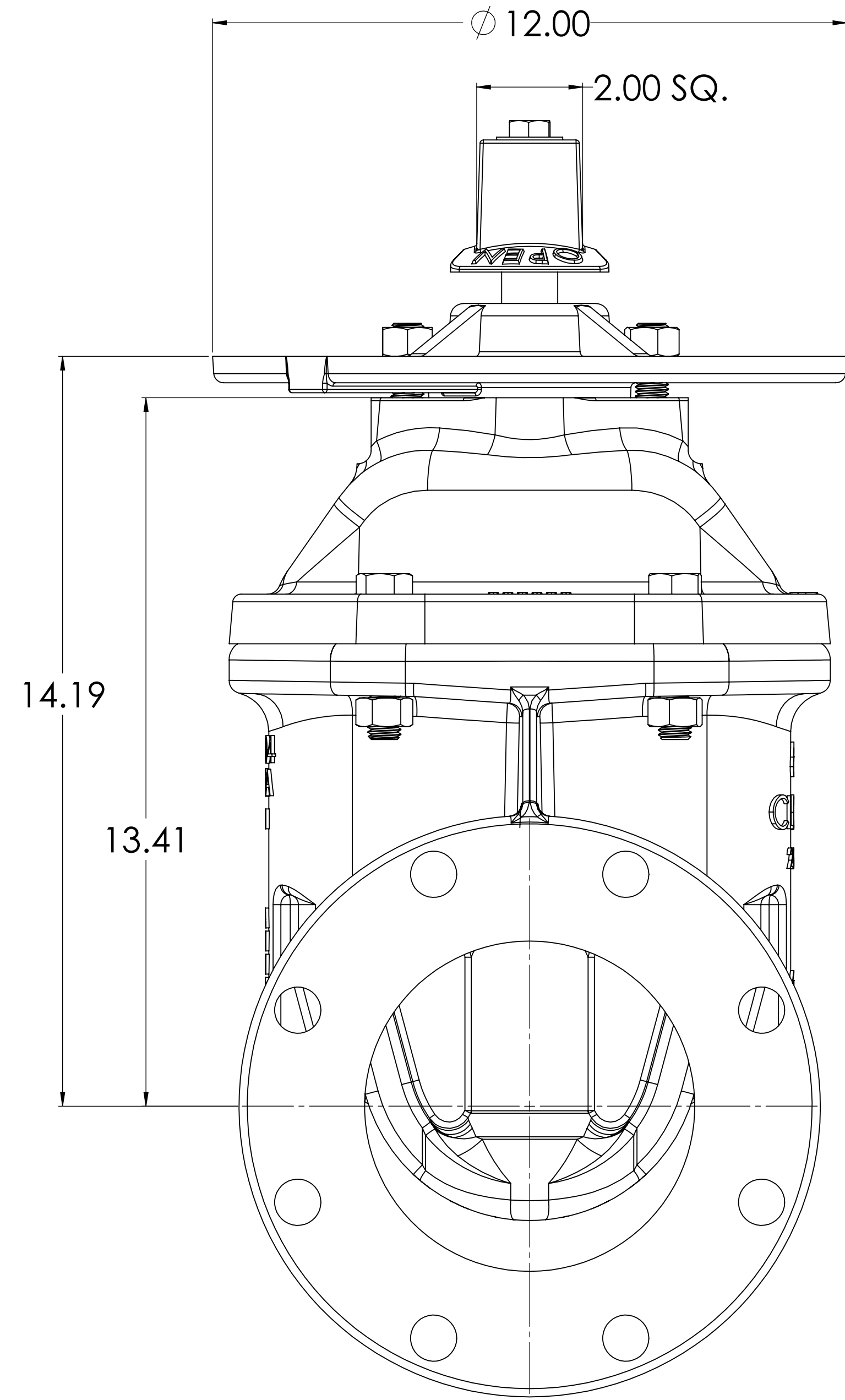
PVC END:
AWWA C111

STANDARDS: ANSI/AWWA C111, C115, C118, C122, C124, C125, C126, C127, C128, C129, C130, C131, C132, C133, C134, C135, C136, C137, C138, C139, C140, C141, C142, C143, C144, C145, C146, C147, C148, C149, C150, C151, C152, C153, C154, C155, C156, C157, C158, C159, C160, C161, C162, C163, C164, C165, C166, C167, C168, C169, C170, C171, C172, C173, C174, C175, C176, C177, C178, C179, C180, C181, C182, C183, C184, C185, C186, C187, C188, C189, C190, C191, C192, C193, C194, C195, C196, C197, C198, C199, C200, C201, C202, C203, C204, C205, C206, C207, C208, C209, C210, C211, C212, C213, C214, C215, C216, C217, C218, C219, C220, C221, C222, C223, C224, C225, C226, C227, C228, C229, C230, C231, C232, C233, C234, C235, C236, C237, C238, C239, C240, C241, C242, C243, C244, C245, C246, C247, C248, C249, C250, C251, C252, C253, C254, C255, C256, C257, C258, C259, C260, C261, C262, C263, C264, C265, C266, C267, C268, C269, C270, C271, C272, C273, C274, C275, C276, C277, C278, C279, C280, C281, C282, C283, C284, C285, C286, C287, C288, C289, C290, C291, C292, C293, C294, C295, C296, C297, C298, C299, C300, C301, C302, C303, C304, C305, C306, C307, C308, C309, C310, C311, C312, C313, C314, C315, C316, C317, C318, C319, C320, C321, C322, C323, C324, C325, C326, C327, C328, C329, C330, C331, C332, C333, C334, C335, C336, C337, C338, C339, C340, C341, C342, C343, C344, C345, C346, C347, C348, C349, C350, C351, C352, C353, C354, C355, C356, C357, C358, C359, C360, C361, C362, C363, C364, C365, C366, C367, C368, C369, C370, C371, C372, C373, C374, C375, C376, C377, C378, C379, C380, C381, C382, C383, C384, C385, C386, C387, C388, C389, C390, C391, C392, C393, C394, C395, C396, C397, C398, C399, C400, C401, C402, C403, C404, C405, C406, C407, C408, C409, C410, C411, C412, C413, C414, C415, C416, C417, C418, C419, C420, C421, C422, C423, C424, C425, C426, C427, C428, C429, C430, C431, C432, C433, C434, C435, C436, C437, C438, C439, C440, C441, C442, C443, C444, C445, C446, C447, C448, C449, C450, C451, C452, C453, C454, C455, C456, C457, C458, C459, C460, C461, C462, C463, C464, C465, C466, C467, C468, C469, C470, C471, C472, C473, C474, C475, C476, C477, C478, C479, C480, C481, C482, C483, C484, C485, C486, C487, C488, C489, C490, C491, C492, C493, C494, C495, C496, C497, C498, C499, C500, C501, C502, C503, C504, C505, C506, C507, C508, C509, C510, C511, C512, C513, C514, C515, C516, C517, C518, C519, C520, C521, C522, C523, C524, C525, C526, C527, C528, C529, C530, C531, C532, C533, C534, C535, C536, C537, C538, C539, C540, C541, C542, C543, C544, C545, C546, C547, C548, C549, C550, C551, C552, C553, C554, C555, C556, C557, C558, C559, C560, C561, C562, C563, C564, C565, C566, C567, C568, C569, C570, C571, C572, C573, C574, C575, C576, C577, C578, C579, C580, C581, C582, C583, C584, C585, C586, C587, C588, C589, C590, C591, C592, C593, C594, C595, C596, C597, C598, C599, C600, C601, C602, C603, C604, C605, C606, C607, C608, C609, C610, C611, C612, C613, C614, C615, C616, C617, C618, C619, C620, C621, C622, C623, C624, C625, C626, C627, C628, C629, C630, C631, C632, C633, C634, C635, C636, C637, C638, C639, C640, C641, C642, C643, C644, C645, C646, C647, C648, C649, C650, C651, C652, C653, C654, C655, C656, C657, C658, C659, C660, C661, C662, C663, C664, C665, C666, C667, C668, C669, C670, C671, C672, C673, C674, C675, C676, C677, C678, C679, C680, C681, C682, C683, C684, C685, C686, C687, C688, C689, C690, C691, C692, C693, C694, C695, C696, C697, C698, C699, C700, C701, C702, C703, C704, C705, C706, C707, C708, C709, C710, C711, C712, C713, C714, C715, C716, C717, C718, C719, C720, C721, C722, C723, C724, C725, C726, C727, C728, C729, C730, C731, C732, C733, C734, C735, C736, C737, C738, C739, C740, C741, C742, C743, C744, C745, C746, C747, C748, C749, C750, C751, C752, C753, C754, C755, C756, C757, C758, C759, C760, C761, C762, C763, C764, C765, C766, C767, C768, C769, C770, C771, C772, C773, C774, C775, C776, C777, C778, C779, C780, C781, C782, C783, C784, C785, C786, C787, C788, C789, C790, C791, C792, C793, C794, C795, C796, C797, C798, C799, C800, C801, C802, C803, C804, C805, C806, C807, C808, C809, C810, C811, C812, C813, C814, C815, C816, C817, C818, C819, C820, C821, C822, C823, C824, C825, C826, C827, C828, C829, C830, C831, C832, C833, C834, C835, C836, C837, C838, C839, C840, C841, C842, C843, C844, C845, C846, C847, C848, C849, C850, C851, C852, C853, C854, C855, C856, C857, C858, C859, C860, C861, C862, C863, C864, C865, C866, C867, C868, C869, C870, C871, C872, C873, C874, C875, C876, C877, C878, C879, C880, C881, C882, C883, C884, C885, C886, C887, C888, C889, C890, C891, C892, C893, C894, C895, C896, C897, C898, C899, C900, C901, C902, C903, C904, C905, C906, C907, C908, C909, C910, C911, C912, C913, C914, C915, C916, C917, C918, C919, C920, C921, C922, C923, C924, C925, C926, C927, C928, C929, C930, C931, C932, C933, C934, C935, C936, C937, C938, C939, C940, C941, C942, C943, C944, C945, C946, C947, C948, C949, C950, C951, C952, C953, C954, C955, C956, C957, C958, C959, C960, C961, C962, C963, C964, C965, C966, C967, C968, C969, C970, C971, C972, C973, C974, C975, C976, C977, C978, C979, C980, C981, C982, C983, C984, C985, C986, C987, C988, C989, C990, C991, C992, C993, C994, C995, C996, C997, C998, C999, C1000.		PROPERTY OF MCWANE CORPORATION. ALL RIGHTS RESERVED. THIS DOCUMENT IS THE PROPERTY OF MCWANE CORPORATION AND IS NOT TO BE REPRODUCED OR TRANSMITTED IN ANY FORM OR BY ANY MEANS, ELECTRONIC OR MECHANICAL, INCLUDING PHOTOCOPYING, RECORDING, OR BY ANY INFORMATION STORAGE AND RETRIEVAL SYSTEM, WITHOUT THE WRITTEN PERMISSION OF MCWANE CORPORATION. ALL RIGHTS RESERVED.	DESCRIPTION: 06" C509 NRS RESILIENT WEDGE GATE VALVE	ESTIMATED WEIGHT: LBS.	DATE: 10/01/2020	SCALE: 1:5	SHEET OF: 6	CLW VALVE CO.
---	--	--	--	------------------------	------------------	------------	-------------	---------------

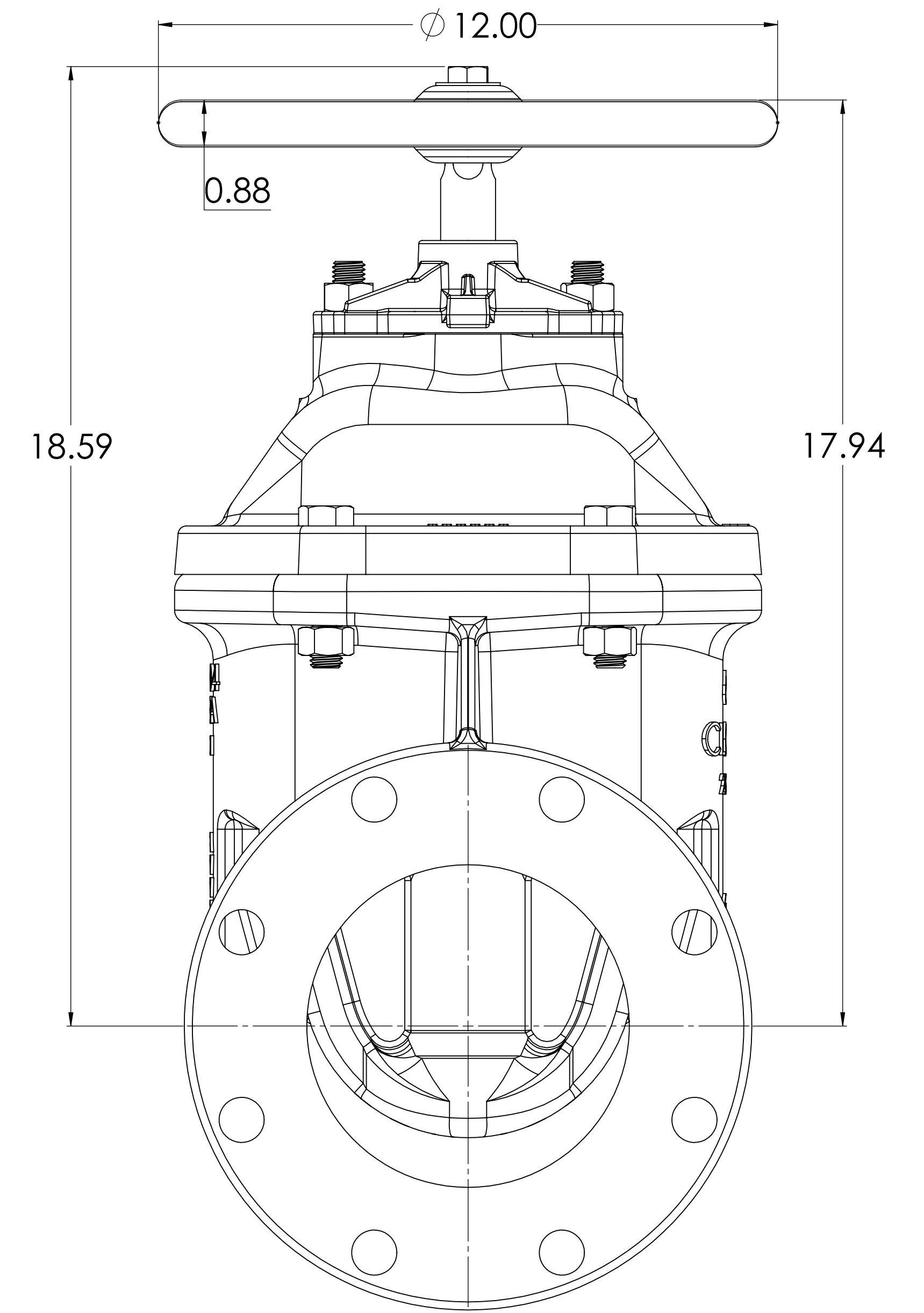
OPERATING NUT WITH O-RING PLATE



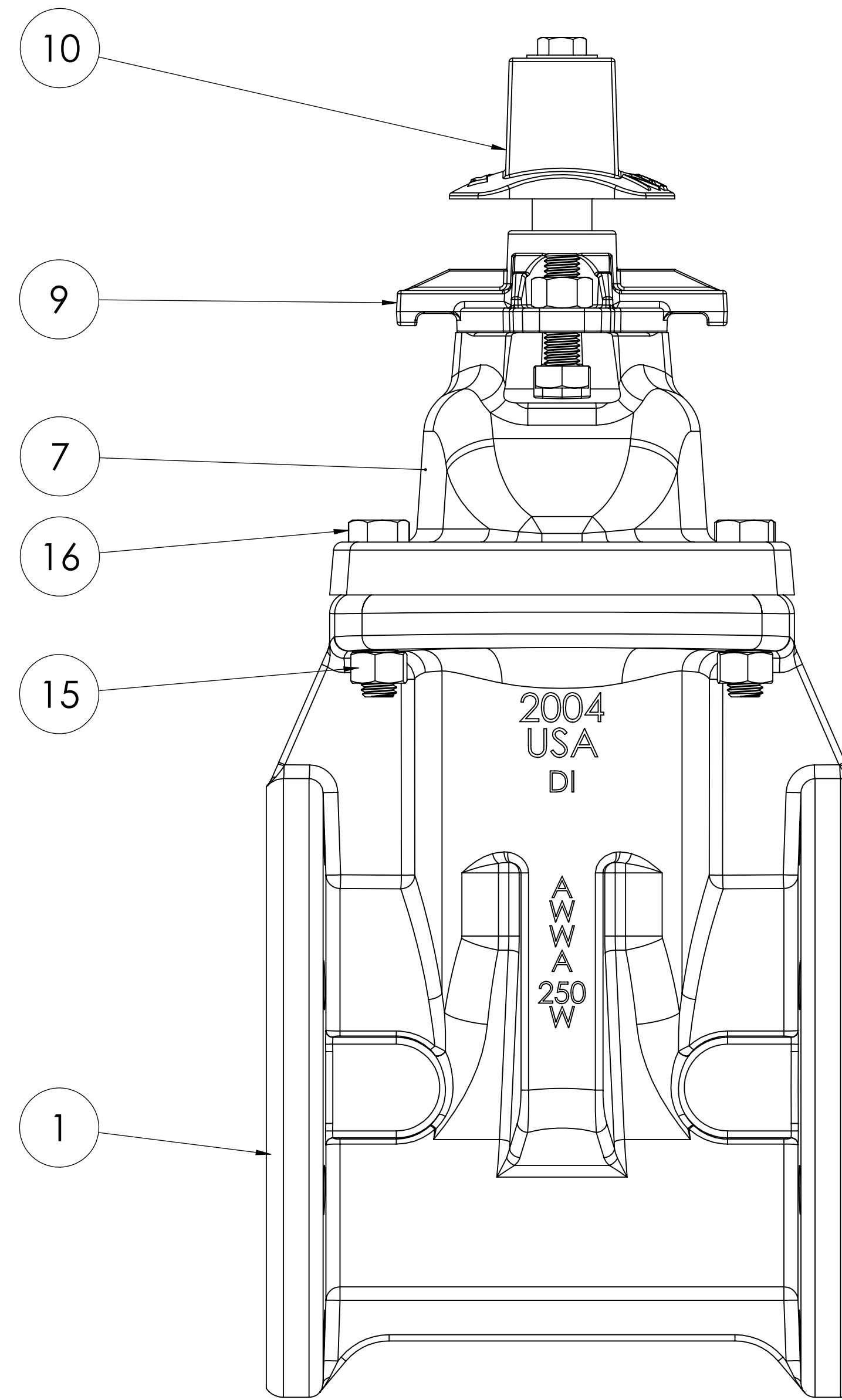
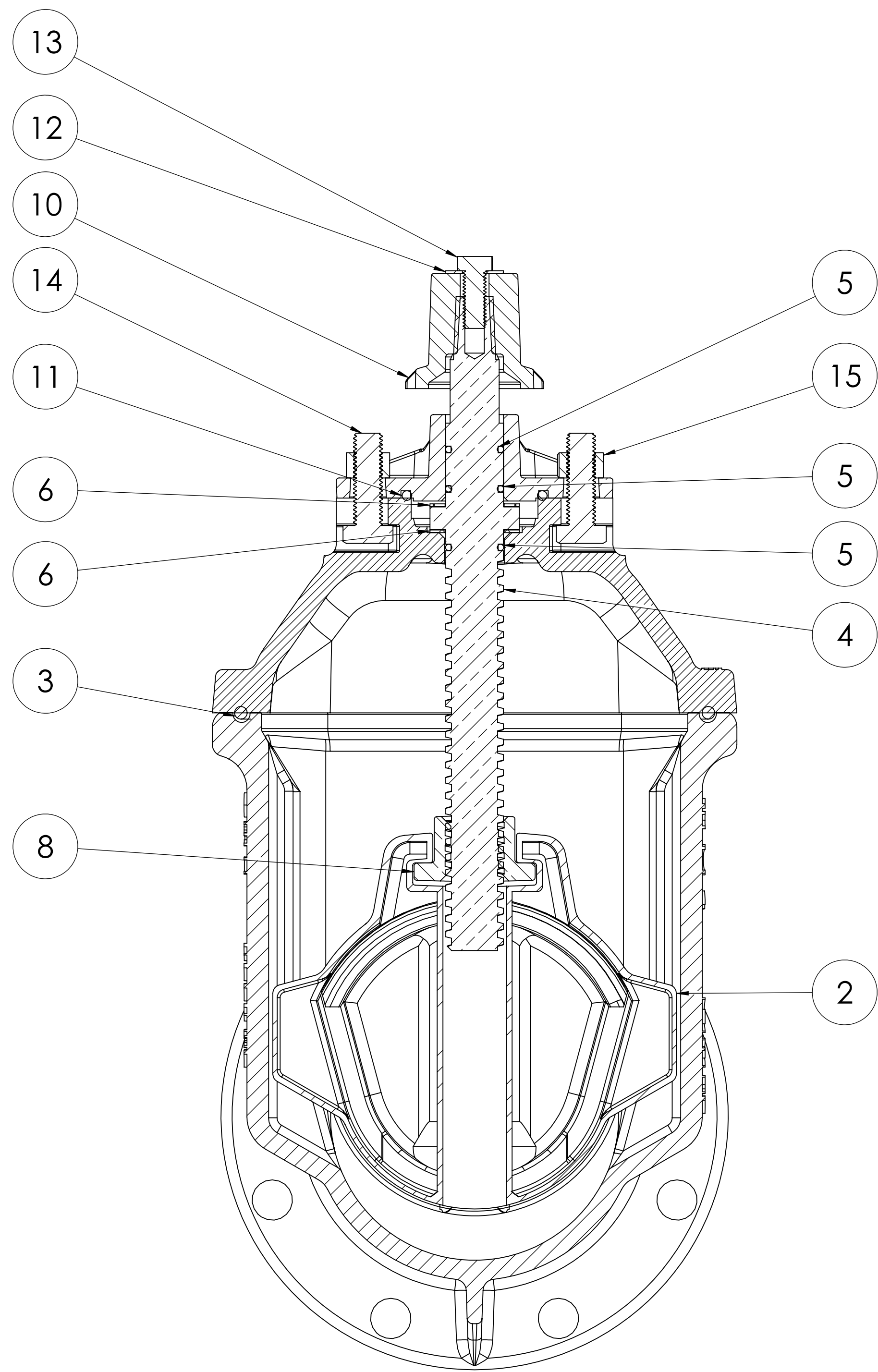
OPERATING NUT WITH INDICATOR
POST PLATE



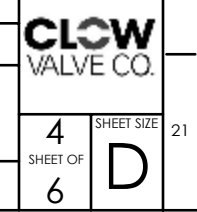
HANDWHEEL WITH O-RING PLATE



THIRD ANGLE PROJECTION. STANDARDS: ANSI/ASME Y14.100, Y14.101, AND Y14.41. TOLERANCES AS FOLLOWS UNLESS OTHERWISE SPECIFIED.		PROPERTY OF MCWANE CORPORATION. ALL DIMENSIONS AND IDENTIFIERS ARE PROPRIETARY TO MCWANE CORPORATION AND ITS SUBSIDIARIES. REPRODUCTION OR USE WITHOUT PERMISSION OF MCWANE CORPORATION IS STRICTLY PROHIBITED. ALL RIGHTS RESERVED.		DESCRIPTION
CASTING TOLERANCES:	MATCHED DIMENSIONS:	MATERIAL:	ESTIMATED WEIGHT:	06" C509 NRS RESILIENT WEDGE GATE VALVE
0.4": ± 0.02	DECIMALS: ± 0.005		LBS.	
0.8": ± 0.04	FRACTIONS: ± 1/64			
1.2": ± 0.06	ANGLES: ± 1'			
1.8": ± 0.09	RADIUS: ± 0.015			
MIN RADIUS: 1/8"	SURFACE FINISH: 125 μin	DATE: 10/01/2020	SCALE: 1:5	Solidworks 2018 SP2
MIN DRAFT: 2°		DRAWN BY: CW	CHECKED BY:	



THIRD ANGLE PROJECTION. STANDARDS: ANSI/ASME Y14.100, Y14.1, AND Y14.41. TOLERANCES: AS FOLLOWS UNLESS OTHERWISE SPECIFIED.		PROPERTY OF MCWANE CORPORATION. ALL DIMENSIONS AND IDENTIFICATION ARE PROPRIETARY TO MCWANE CORPORATION AND ITS SUBSIDIARIES. REPRODUCTION OR USE WITHOUT PERMISSION OF MCWANE CORPORATION IS PROHIBITED. ALL RIGHTS RESERVED.		DATE: 10/01/2020	DRAWN BY: CW	CHECKED BY:	SCALE: 1:10	SHEET NO. 6	TOTAL SHEETS 6
CASTING TOLERANCES:		MATCHED DIMENSIONS:		MATERIAL:		DESCRIPTION: 06" C509 NRS RESILIENT WEDGE GATE VALVE			
0.4": ± 0.005	0.8": ± 0.005	0.8": ± 0.005	1.6": ± 0.005	ESTIMATED WEIGHT: LBS.					
1.6": ± 0.005	3.2": ± 0.005	3.2": ± 0.005	6.4": ± 0.005	FINISH: 100 μin					
6.4": ± 0.005	12.8": ± 0.005	12.8": ± 0.005	25.6": ± 0.005	MIN RADIUS: 1/8"					
12.8": ± 0.005	25.6": ± 0.005	25.6": ± 0.005	51.2": ± 0.005	MIN DRAFT: 2°					



4 SHEET OF 6

<u>ITEM NO.</u>	<u>COMPONENT</u>	<u>QTY.</u>	<u>SIZE</u>	<u>STANDARD MATERIAL</u>	<u>OPTIONAL MATERIALS</u>
1	BODY	1	-	DUCTILE IRON	-
2	WEDGE	1	-	EPDM/DUCTILE IRON	-
3	O-RING	1	#445	EPDM	BUNA-N
4	STEM	1	-	C86700	C99500 (LOW ZINC), 304 SS, 316 SS
5	O-RING	3	#214	EPDM	BUNA-N
6	THRUST WASHER	2	-	ACETAL	C26000
7	COVER	1	-	DUCTILE IRON	-
8	STEM NUT	1	-	C87850	C87610 (LOW ZINC)
9	O-RING PLATE	1	-	DUCTILE IRON	-
10	OPERATING NUT	1	-	CAST IRON	C86700, DUCTILE IRON, ** ϕ 12" HANDWHEEL**
11	O-RING	1	#335	EPDM	BUNA-N
12	WASHER	1	1/2"	18-8 SS	316 SS
13	HEX HEAD CAP SCREW	1	1/2"-13 X 1 1/4"	18-8 SS	316 SS
14	HEX HEAD CAP SCREW	2	5/8"-11 X 2"	18-8 SS	316 SS
15	HEX NUT	6	5/8"-11	18-8 SS	316 SS
16	HEX HEAD CAP SCREW	4	5/8"-11 X 2 3/4"	18-8 SS	316 SS

- VALVES CONFORM WITH THE FOLLOWING STANDARDS
 - AWWA C509
 - NSF 61
- LOW ZINC BRASS STEM AND STEM NUT AVAILABLE
- 100% DOMESTIC FASTENERS AND ORINGS OPTIONS AVAILABLE
- OPEN LEFT (COUNTERCLOCKWISE) AND OPEN RIGHT (CLOCKWISE) OPTIONS AVAILABLE
- TURNS TO OPEN FROM FULLY CLOSED: 20
- AWWA MAXIMUM ALLOWABLE CLOSING TORQUE 110 FT-LBS
- OPTIONAL HANDWHEEL CAN BE SUBSTITUTED FOR STANDARD 2" SQUARE OP. NUTS.
 - **NOTE: STANDARD HANDWHEEL SIZE LISTED OUT IN PARTS LIST.**