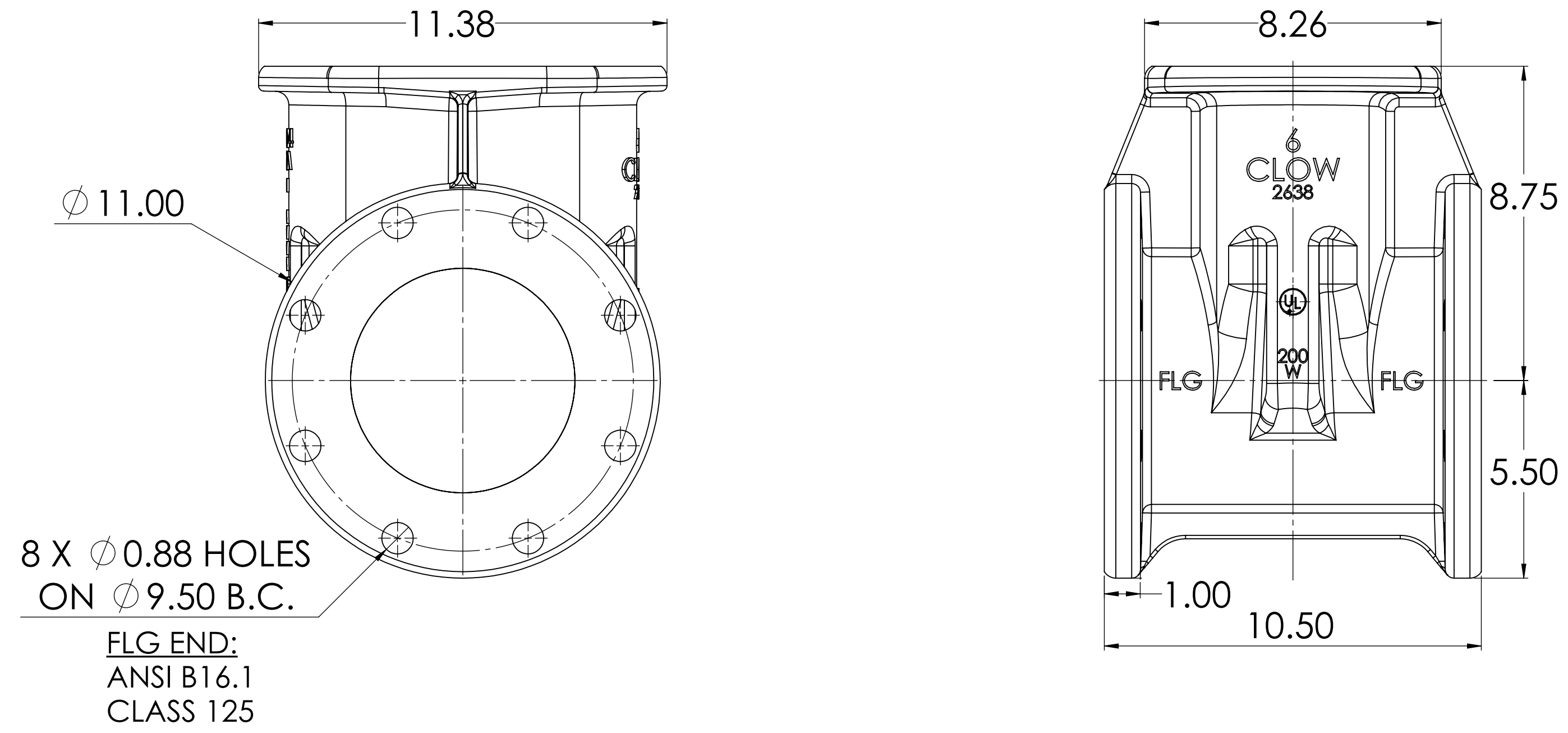
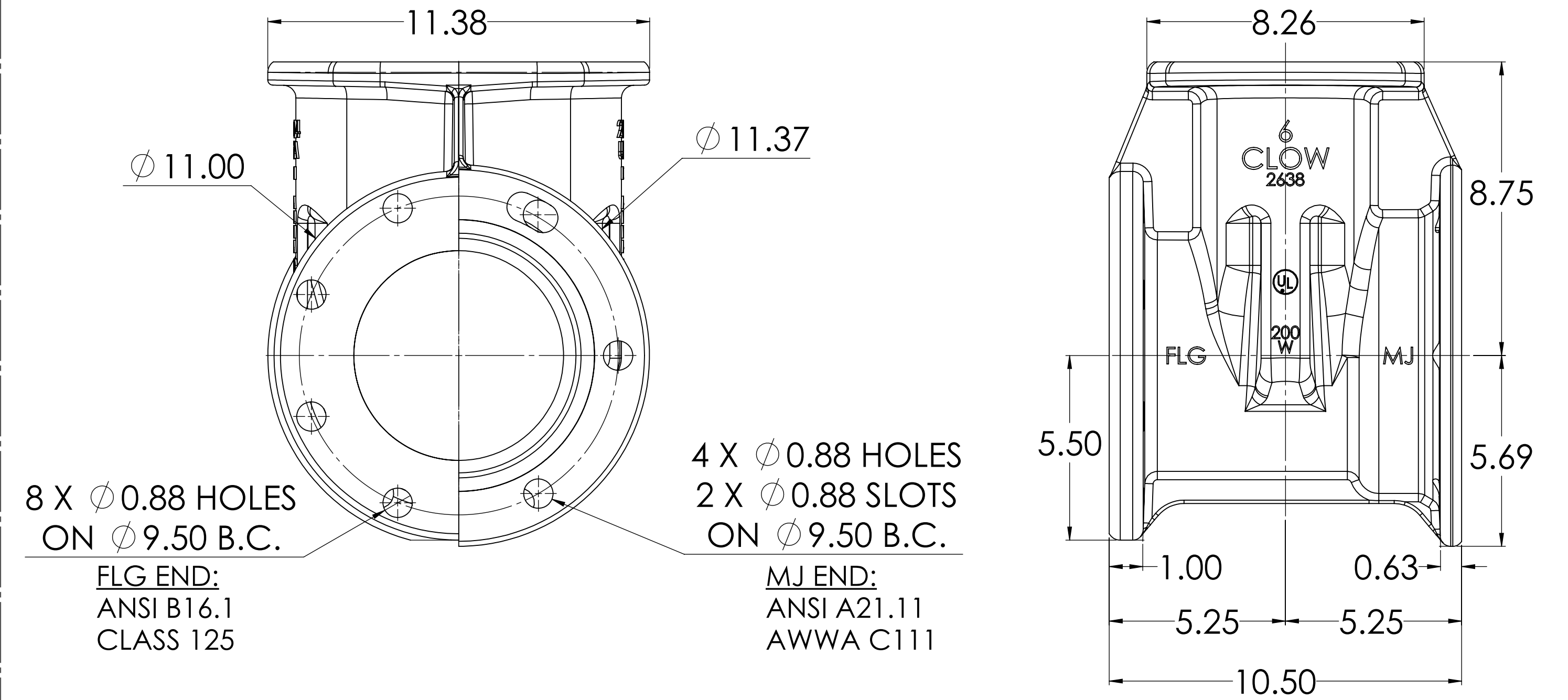


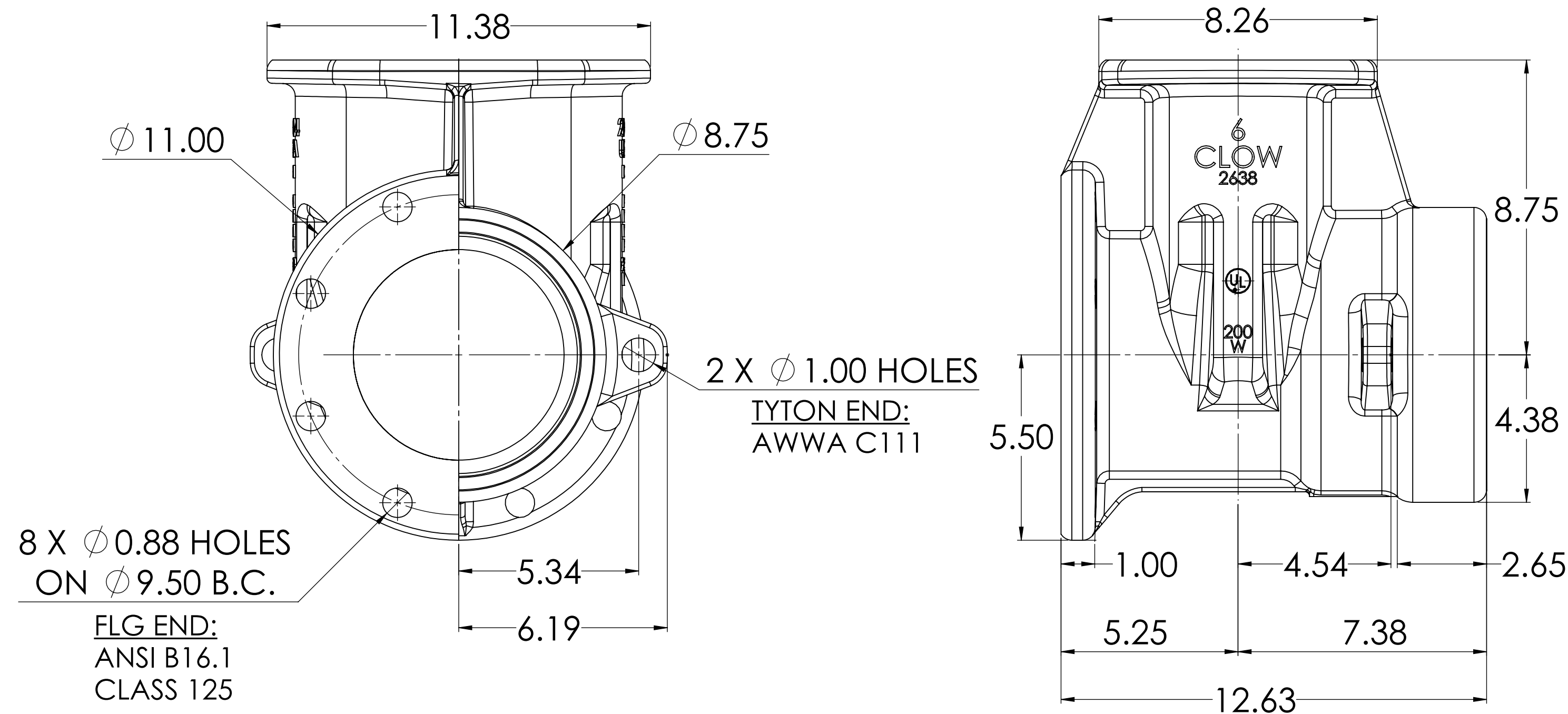
06" C515 FLG X FLG



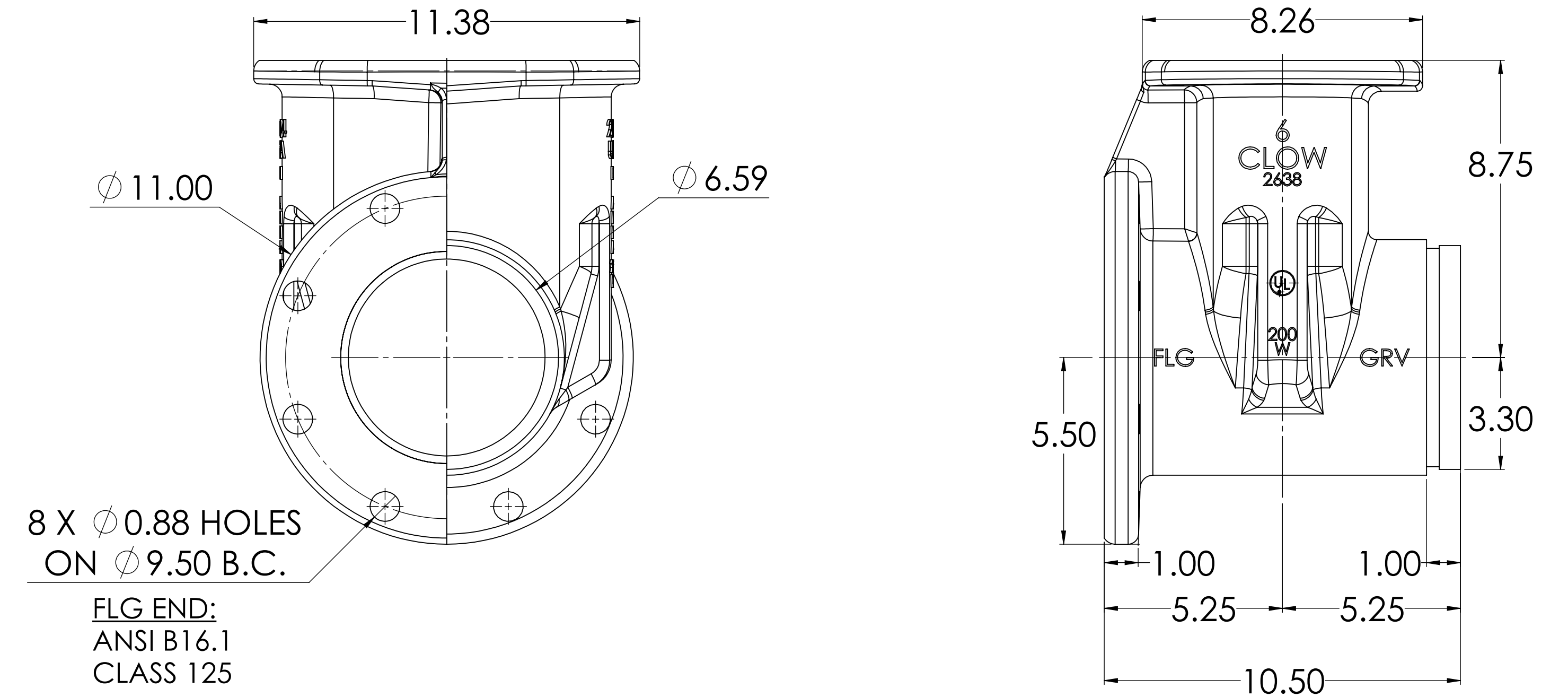
06" C515 FLG X MJ



06" C515 FLG X TYTON



06" C515 FLG X GRVD

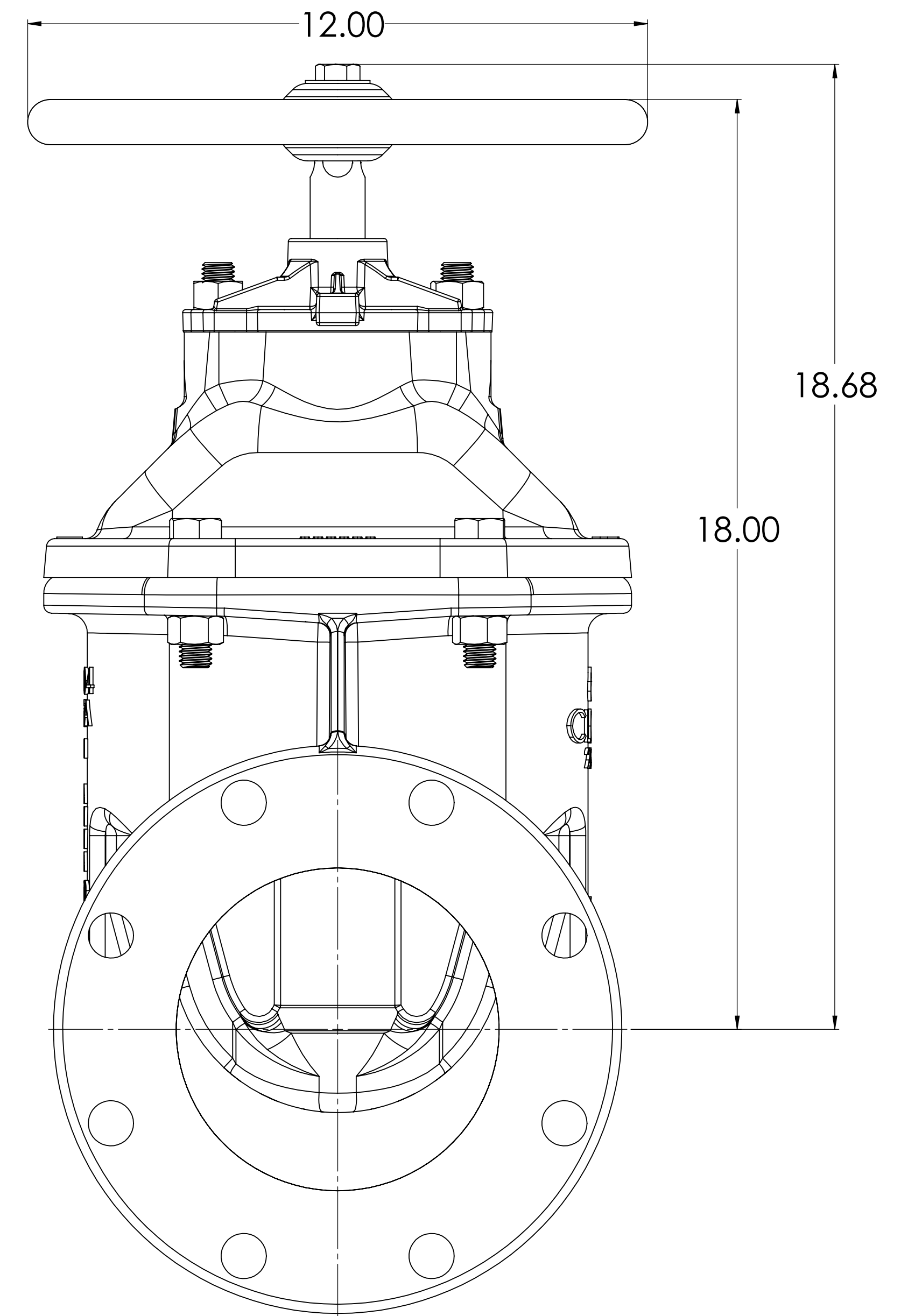
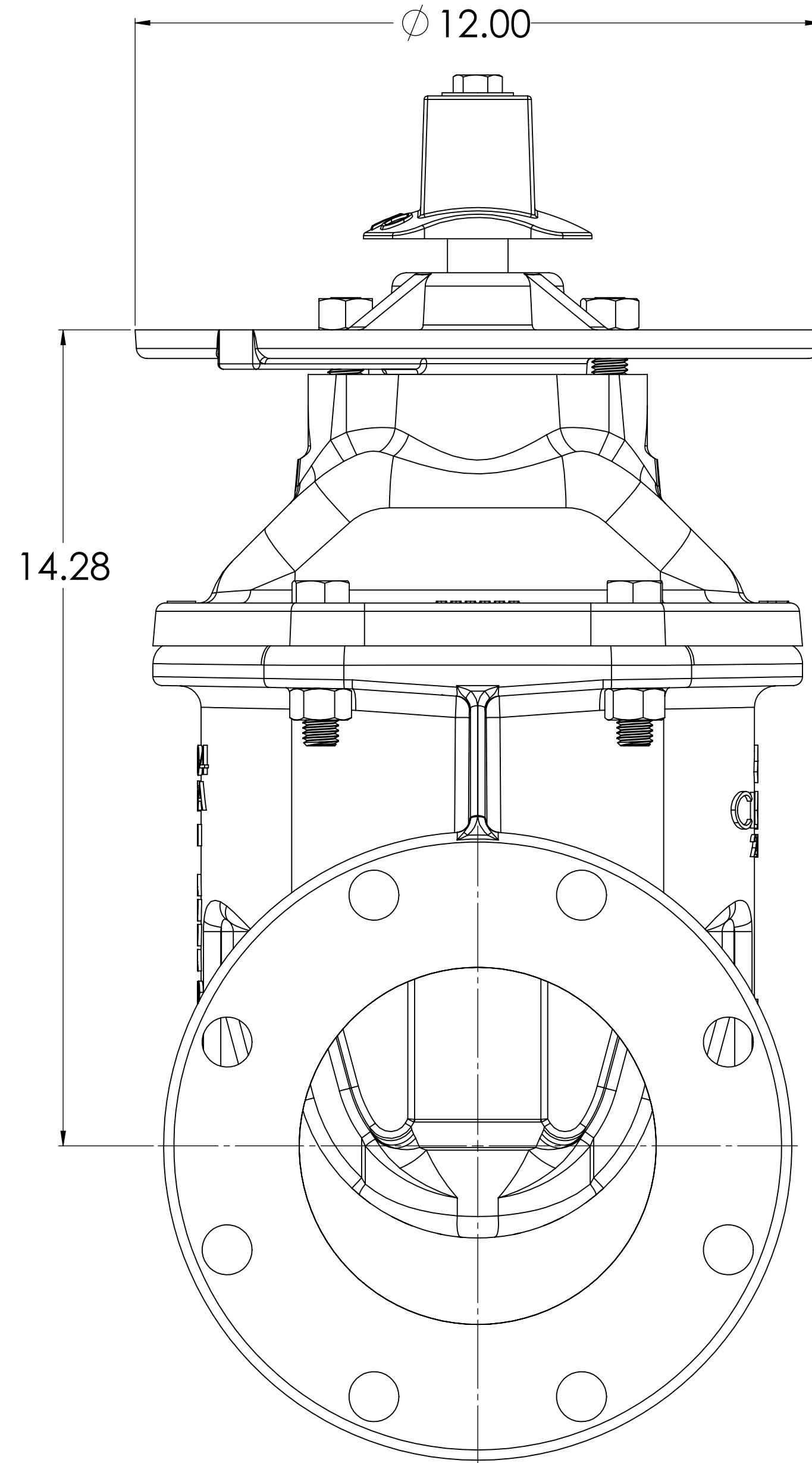
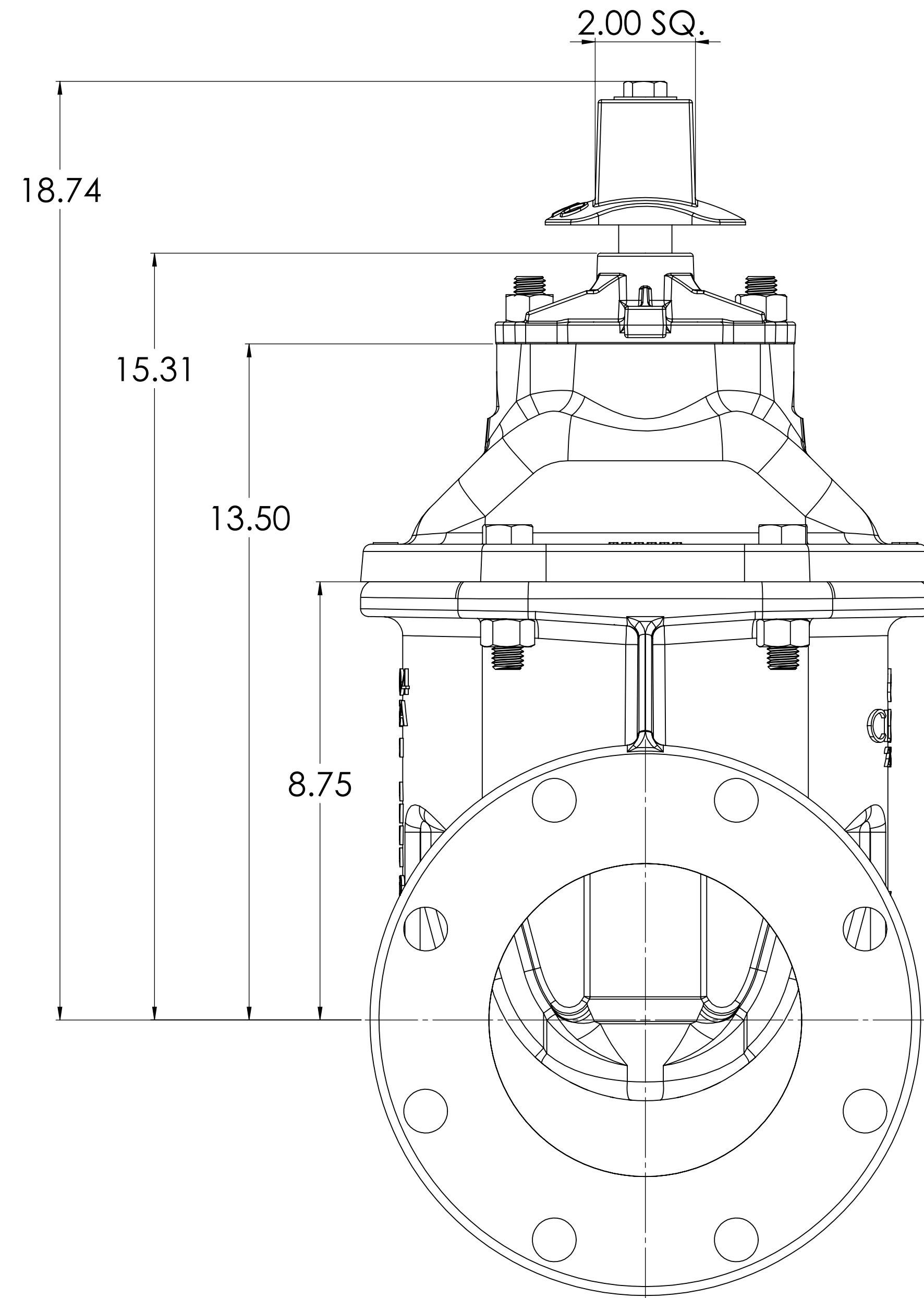


STANDARDS: ANSI/AWWA C111, C115, C118, C120, C122, C124, C125, C126, C128, C130, C132, C134, C136, C138, C140, C142, C144, C146, C148, C150, C152, C154, C156, C158, C160, C162, C164, C166, C168, C170, C172, C174, C176, C178, C180, C182, C184, C186, C188, C190, C192, C194, C196, C198, C200, C202, C204, C206, C208, C210, C212, C214, C216, C218, C220, C222, C224, C226, C228, C230, C232, C234, C236, C238, C240, C242, C244, C246, C248, C250, C252, C254, C256, C258, C260, C262, C264, C266, C268, C270, C272, C274, C276, C278, C280, C282, C284, C286, C288, C290, C292, C294, C296, C298, C300, C302, C304, C306, C308, C310, C312, C314, C316, C318, C320, C322, C324, C326, C328, C330, C332, C334, C336, C338, C340, C342, C344, C346, C348, C350, C352, C354, C356, C358, C360, C362, C364, C366, C368, C370, C372, C374, C376, C378, C380, C382, C384, C386, C388, C390, C392, C394, C396, C398, C400, C402, C404, C406, C408, C410, C412, C414, C416, C418, C420, C422, C424, C426, C428, C430, C432, C434, C436, C438, C440, C442, C444, C446, C448, C450, C452, C454, C456, C458, C460, C462, C464, C466, C468, C470, C472, C474, C476, C478, C480, C482, C484, C486, C488, C490, C492, C494, C496, C498, C500, C502, C504, C506, C508, C510, C512, C514, C516, C518, C520, C522, C524, C526, C528, C530, C532, C534, C536, C538, C540, C542, C544, C546, C548, C550, C552, C554, C556, C558, C560, C562, C564, C566, C568, C570, C572, C574, C576, C578, C580, C582, C584, C586, C588, C590, C592, C594, C596, C598, C600, C602, C604, C606, C608, C610, C612, C614, C616, C618, C620, C622, C624, C626, C628, C630, C632, C634, C636, C638, C640, C642, C644, C646, C648, C650, C652, C654, C656, C658, C660, C662, C664, C666, C668, C670, C672, C674, C676, C678, C680, C682, C684, C686, C688, C690, C692, C694, C696, C698, C700, C702, C704, C706, C708, C710, C712, C714, C716, C718, C720, C722, C724, C726, C728, C730, C732, C734, C736, C738, C740, C742, C744, C746, C748, C750, C752, C754, C756, C758, C760, C762, C764, C766, C768, C770, C772, C774, C776, C778, C780, C782, C784, C786, C788, C790, C792, C794, C796, C798, C800, C802, C804, C806, C808, C810, C812, C814, C816, C818, C820, C822, C824, C826, C828, C830, C832, C834, C836, C838, C840, C842, C844, C846, C848, C850, C852, C854, C856, C858, C860, C862, C864, C866, C868, C870, C872, C874, C876, C878, C880, C882, C884, C886, C888, C890, C892, C894, C896, C898, C900, C902, C904, C906, C908, C910, C912, C914, C916, C918, C920, C922, C924, C926, C928, C930, C932, C934, C936, C938, C940, C942, C944, C946, C948, C950, C952, C954, C956, C958, C960, C962, C964, C966, C968, C970, C972, C974, C976, C978, C980, C982, C984, C986, C988, C990, C992, C994, C996, C998, C1000.		PROPERTY OF MCWANE CORPORATION. ALL RIGHTS RESERVED. THIS DRAWING AND ITS CONTENTS ARE PROPRIETARY TO MCWANE CORPORATION AND ITS SUBSIDIARIES. IT IS TO BE USED ONLY FOR THE PURPOSES SPECIFIED HEREIN. ALL OTHER RIGHTS RESERVED.	DESCRIPTION: 06" C515 NRS RESILIENT WEDGE GATE VALVE	CLW VALVE CO.
CASTING TOLERANCES: 0.4": ± 0.005 0.8": ± 0.004 1.2": ± 0.003 1.6": ± 0.002 2.0": ± 0.0015 2.5": ± 0.001 3.0": ± 0.0008 3.5": ± 0.0006 4.0": ± 0.0005	MACHINED DIMENSIONS: DECIMALS: ± 0.005 FRACTIONS: ± 0.004 ANGLE: ± 1/16° SURFACE FINISH: 125 μin RADE: 1/8"	ESTIMATED WEIGHT: 1.2 LBS.	DATE: 10/01/2020	SHEET OF 6

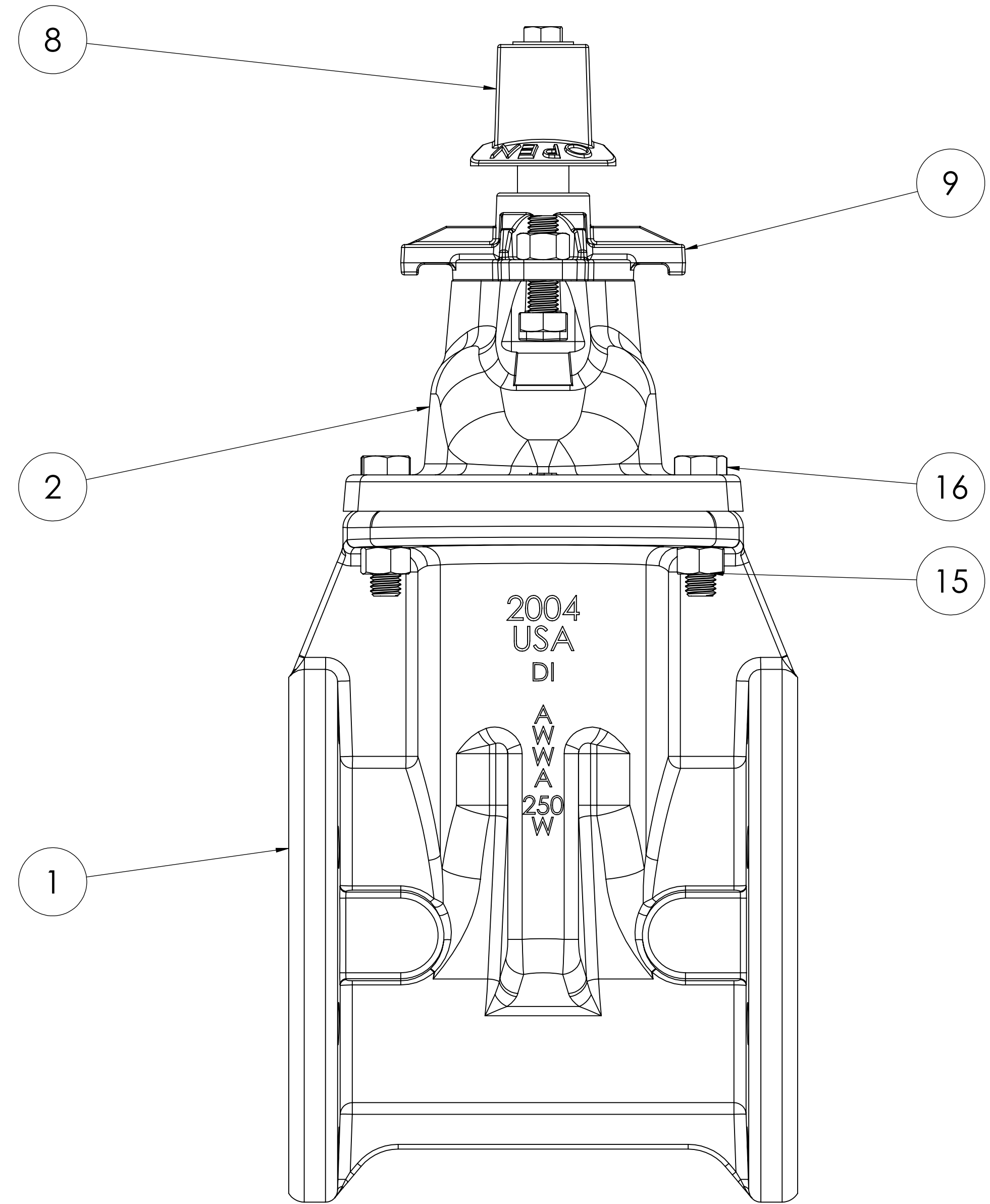
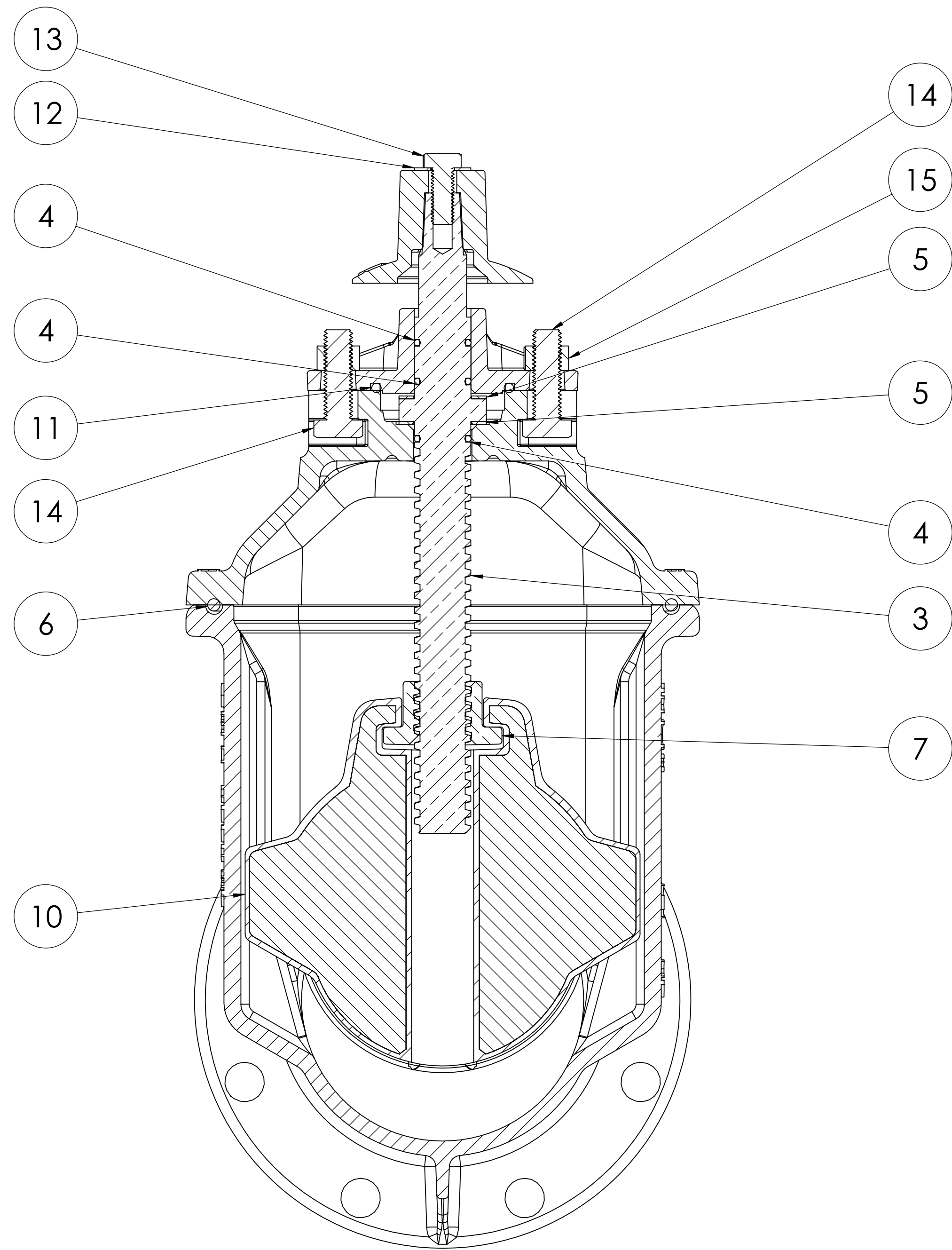
OPERATING NUT WITH
O-RING PLATE

OPERATING NUT WITH
INDICATOR POST PLATE

HANDWHEEL WITH
O-RING PLATE



STANDARDS: ANSI/ASME B16.10, B16.11 AND B16.41 TOLERANCES UNLESS OTHERWISE SPECIFIED:		PROPERTY OF MCWANE CORPORATION. ALL RIGHTS AND DESIGNATION ARE PROPRIETARY TO MCWANE CORPORATION AND ITS SUBSIDIARIES. REPRODUCTION OR USE IN ANY MANNER WITHOUT THE WRITTEN PERMISSION OF MCWANE CORPORATION IS STRICTLY PROHIBITED. ALL RIGHTS RESERVED.		DATE: 10/01/2020	DESIGNER: B
CASTING TOLERANCES:		MACHINED DIMENSIONS:		MATERIAL: 06" C515 NRS RESILIENT WEDGE	
1/4": ± 0.010	1/2": ± 0.005	1/2": ± 0.005	3/4": ± 0.005	ESTIMATED WEIGHT: 3 LBS.	
3/4": ± 0.005	1": ± 0.005	1": ± 0.005	1 1/4": ± 0.005	DESCRIPTION: 06" C515 NRS RESILIENT WEDGE GATE VALVE	
1 1/4": ± 0.005	1 1/2": ± 0.005	1 1/2": ± 0.005	2": ± 0.005	DRAWN BY: CW	
2": ± 0.005	2 1/2": ± 0.005	2 1/2": ± 0.005	3": ± 0.005	DATE: 10/01/2020	
3": ± 0.005	3 1/2": ± 0.005	3 1/2": ± 0.005	4": ± 0.005	CHECKED BY:	
4": ± 0.005	4 1/2": ± 0.005	4 1/2": ± 0.005	5": ± 0.005	SCALE: 1:2	
5": ± 0.005	5 1/2": ± 0.005	5 1/2": ± 0.005	6": ± 0.005	SHEET NO: 3	
6": ± 0.005	6 1/2": ± 0.005	6 1/2": ± 0.005	7": ± 0.005	SHEET OF: 6	
7": ± 0.005	7 1/2": ± 0.005	7 1/2": ± 0.005	8": ± 0.005	SOFTWARE: Solidworks 2018 SP2	
8": ± 0.005	8 1/2": ± 0.005	8 1/2": ± 0.005	9": ± 0.005	D	



THIRD ANGLE PROJECTION <small>STANDARDS: ANSI/ASME Y14.100, Y14.1, AND Y14.41 TOLERANCES AS FOLLOWS UNLESS OTHERWISE SPECIFIED.</small>		PROPERTY OF MCWANE CORPORATION. <small>ALL DIMENSIONS AND IDENTIFICATION ARE PROPRIETARY TO MCWANE CORPORATION AND ITS SUBSIDIARIES. DISTRIBUTION RESTRICTED TO PURCHASERS OF OTHERWISE ARRANGED. ALL RIGHTS RESERVED.</small>		SHEET NO. B
CASTING TOLERANCES: 0.4": ± 0.02 0.8": ± 0.04 1.2": ± 0.06 1.8": ± 0.08 2.4": ± 0.10 3.0": ± 0.12 3.6": ± 0.15 4.2": ± 0.18 4.8": ± 0.20 5.4": ± 0.24 6.0": ± 0.27 6.6": ± 0.30 7.2": ± 0.36 7.8": ± 0.40 8.4": ± 0.45 9.0": ± 0.50 9.6": ± 0.54 10.2": ± 0.60 10.8": ± 0.66 11.4": ± 0.72 12.0": ± 0.78 12.6": ± 0.84 13.2": ± 0.90 13.8": ± 0.96 14.4": ± 1.02 15.0": ± 1.08 15.6": ± 1.14 16.2": ± 1.20 16.8": ± 1.26 17.4": ± 1.32 18.0": ± 1.38 18.6": ± 1.44 19.2": ± 1.50 19.8": ± 1.56 20.4": ± 1.62 21.0": ± 1.68 21.6": ± 1.74 22.2": ± 1.80 22.8": ± 1.86 23.4": ± 1.92 24.0": ± 1.98 24.6": ± 2.04 25.2": ± 2.10 25.8": ± 2.16 26.4": ± 2.22 27.0": ± 2.28 27.6": ± 2.34 28.2": ± 2.40 28.8": ± 2.46 29.4": ± 2.52 30.0": ± 2.58 30.6": ± 2.64 31.2": ± 2.70 31.8": ± 2.76 32.4": ± 2.82 33.0": ± 2.88 33.6": ± 2.94 34.2": ± 3.00 34.8": ± 3.06 35.4": ± 3.12 36.0": ± 3.18 36.6": ± 3.24 37.2": ± 3.30 37.8": ± 3.36 38.4": ± 3.42 39.0": ± 3.48 39.6": ± 3.54 40.2": ± 3.60 40.8": ± 3.66 41.4": ± 3.72 42.0": ± 3.78 42.6": ± 3.84 43.2": ± 3.90 43.8": ± 3.96 44.4": ± 4.02 45.0": ± 4.08 45.6": ± 4.14 46.2": ± 4.20 46.8": ± 4.26 47.4": ± 4.32 48.0": ± 4.38 48.6": ± 4.44 49.2": ± 4.50 49.8": ± 4.56 50.4": ± 4.62 51.0": ± 4.68 51.6": ± 4.74 52.2": ± 4.80 52.8": ± 4.86 53.4": ± 4.92 54.0": ± 4.98 54.6": ± 5.04 55.2": ± 5.10 55.8": ± 5.16 56.4": ± 5.22 57.0": ± 5.28 57.6": ± 5.34 58.2": ± 5.40 58.8": ± 5.46 59.4": ± 5.52 60.0": ± 5.58 60.6": ± 5.64 61.2": ± 5.70 61.8": ± 5.76 62.4": ± 5.82 63.0": ± 5.88 63.6": ± 5.94 64.2": ± 6.00 64.8": ± 6.06 65.4": ± 6.12 66.0": ± 6.18 66.6": ± 6.24 67.2": ± 6.30 67.8": ± 6.36 68.4": ± 6.42 69.0": ± 6.48 69.6": ± 6.54 70.2": ± 6.60 70.8": ± 6.66 71.4": ± 6.72 72.0": ± 6.78 72.6": ± 6.84 73.2": ± 6.90 73.8": ± 6.96 74.4": ± 7.02 75.0": ± 7.08 75.6": ± 7.14 76.2": ± 7.20 76.8": ± 7.26 77.4": ± 7.32 78.0": ± 7.38 78.6": ± 7.44 79.2": ± 7.50 79.8": ± 7.56 80.4": ± 7.62 81.0": ± 7.68 81.6": ± 7.74 82.2": ± 7.80 82.8": ± 7.86 83.4": ± 7.92 84.0": ± 7.98 84.6": ± 8.04 85.2": ± 8.10 85.8": ± 8.16 86.4": ± 8.22 87.0": ± 8.28 87.6": ± 8.34 88.2": ± 8.40 88.8": ± 8.46 89.4": ± 8.52 90.0": ± 8.58 90.6": ± 8.64 91.2": ± 8.70 91.8": ± 8.76 92.4": ± 8.82 93.0": ± 8.88 93.6": ± 8.94 94.2": ± 9.00 94.8": ± 9.06 95.4": ± 9.12 96.0": ± 9.18 96.6": ± 9.24 97.2": ± 9.30 97.8": ± 9.36 98.4": ± 9.42 99.0": ± 9.48 99.6": ± 9.54 100.0": ± 9.60	MACHINED DIMENSIONS: DECIMALS: ± 0.005 FRACTIONS: 1/16 ANGLE: 1/2° SURFACE FINISH: 125 μin RADIUS: 1/8"	MATERIAL: 06" C515 NRS RESILIENT WEDGE GATE VALVE	ESTIMATED WEIGHT: LBS.	
DRAWN BY: CW	DATE DRAWN: 10/01/2020	DESIGNED BY: CW	CHECKED BY: CW	SCALE: 1:10
SHEET NO. B				SHEET OF 6
DRAWING NO. 1018 SP2				SOFTWARE: Solidworks 2018 SP2

<u>ITEM NO.</u>	<u>COMPONENT</u>	<u>QTY.</u>	<u>SIZE</u>	<u>STANDARD MATERIAL</u>	<u>MATERIAL OPTIONS</u>
1	BODY	1	-	DUCTILE IRON	-
2	COVER	1	-	DUCTILE IRON	-
3	STEM	1	-	C86700	C99500 (LOW ZINC), 304 SS, 316 SS
4	O-RING	3	#214	EPDM	BUNA-N
5	THRUST BEARING	2	-	ACETAL	-
6	O-RING	1	#445	EPDM	BUNA-N
7	STEM NUT	1	-	C87850	C87610 (LOW ZINC)
8	OPERATING NUT	1	-	CAST IRON	DUCTILE IRON, C86700, **12" DIA. HANDWHEEL**
9	O-RING PLATE	1	-	DUCTILE IRON	**INDICATOR POST PLATE
10	WEDGE	1	-	EPDM/DUCTILE IRON	-
11	O-RING	1	#335	EPDM	BUNA-N
12	WASHER	1	1/2"	18-8 SS	316 SS
13	CAPSCREW	1	1/2"-13 X 1 1/4"	18-8 SS	316 SS
14	CAPSCREW	2	5/8"-11 X 2"	18-8 SS	316 SS
15	HEX NUT	6	5/8"-11	18-8 SS	316 SS
16	CAPSCREW	4	5/8"-11 X 2 1/4"	18-8 SS	316 SS

- VALVES CONFORM WITH THE FOLLOWING STANDARDS
 - AWWA C515
 - NSF 61
- LOW ZINC BRASS STEM AND STEM NUT AVAILABLE
- 100% DOMESTIC FASTENERS AND ORINGS OPTIONS AVAILABLE
- *OPEN LEFT* (COUNTERCLOCKWISE) AND *OPEN RIGHT* (CLOCKWISE) OPTIONS AVAILABLE
- TURNS TO OPEN FROM FULLY CLOSED: 20
- AWWA MAXIMUM ALLOWABLE CLOSING TORQUE 110 FT-LB
- OPTIONAL HANDWHEEL CAN BE SUBSTITUTED FOR STANDARD 2" SQUARE OP. NUTS.
 - **NOTE: STANDARD HANDWHEEL SIZE LISTED OUT IN PARTS LIST.**