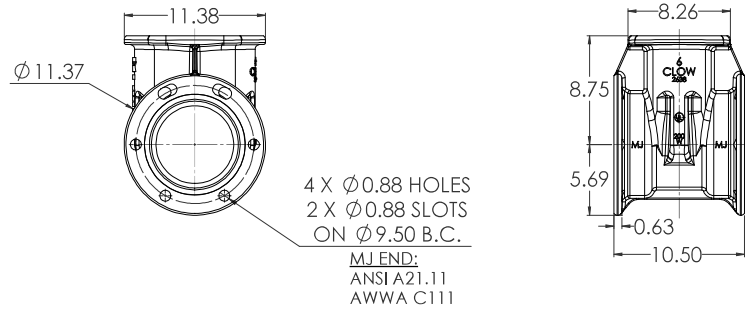
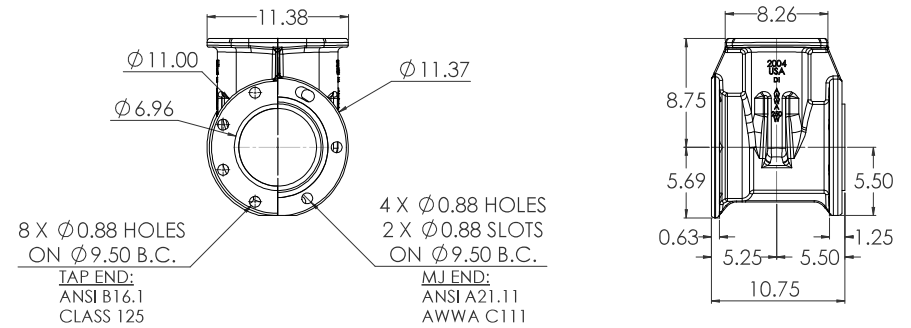




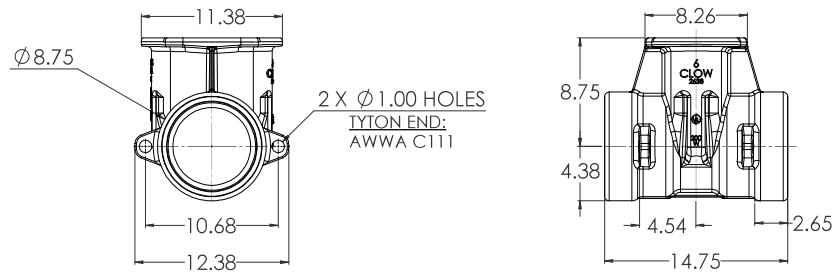
**06" C515 MJ X MJ**



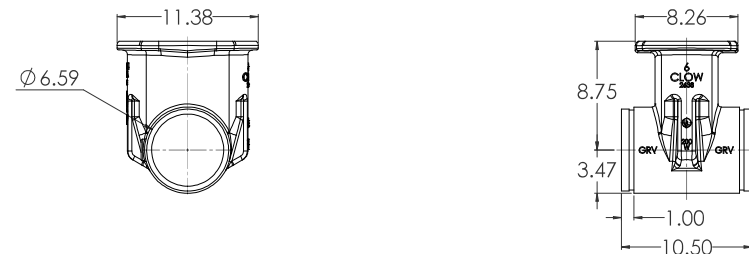
**06" C515 MJ X TAP**



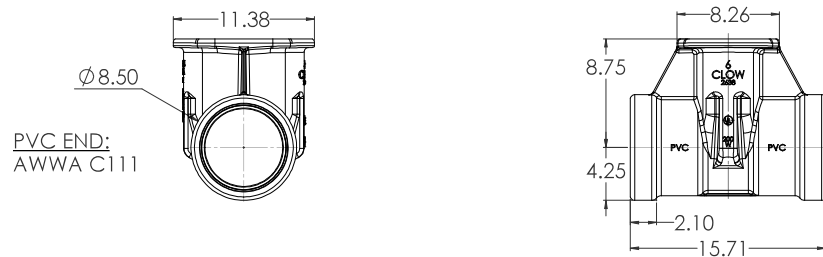
**06" C515 TYTON X TYTON**



**06" C515 GRVD X GRVD**

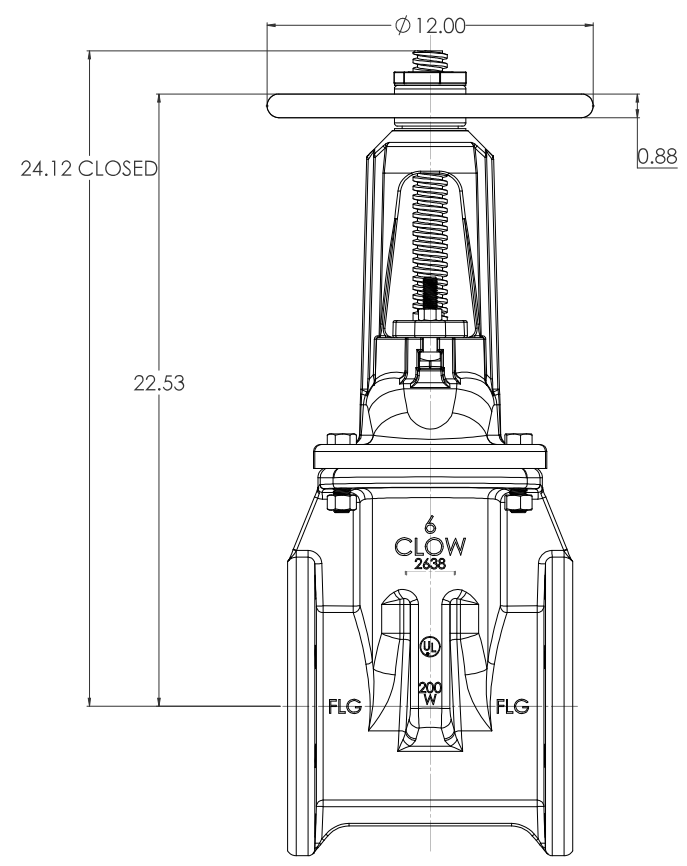
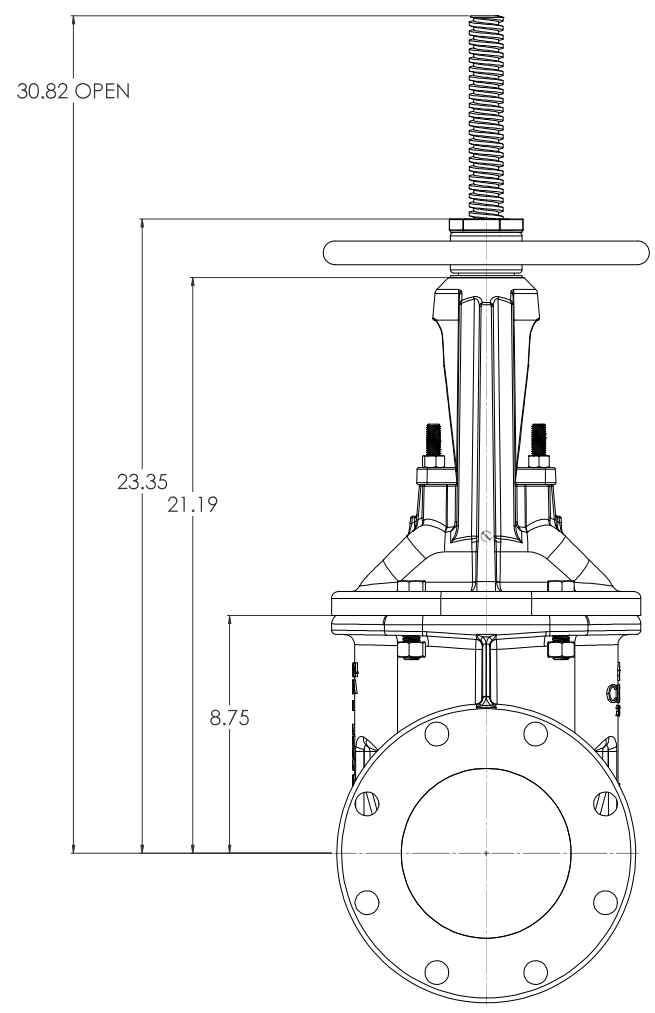


**06" C515 PVC X PVC**

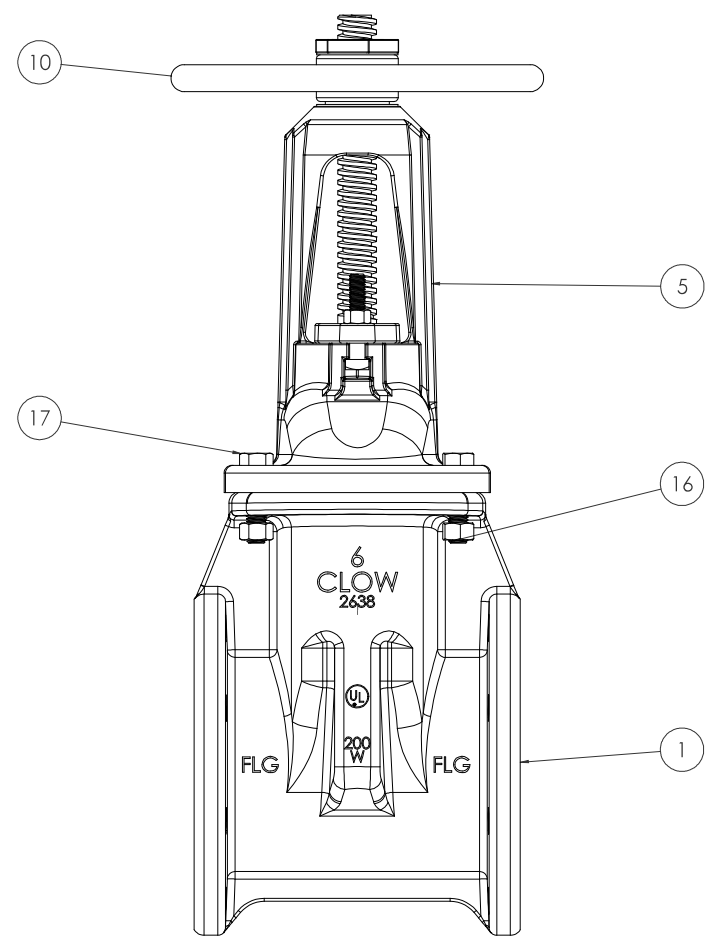
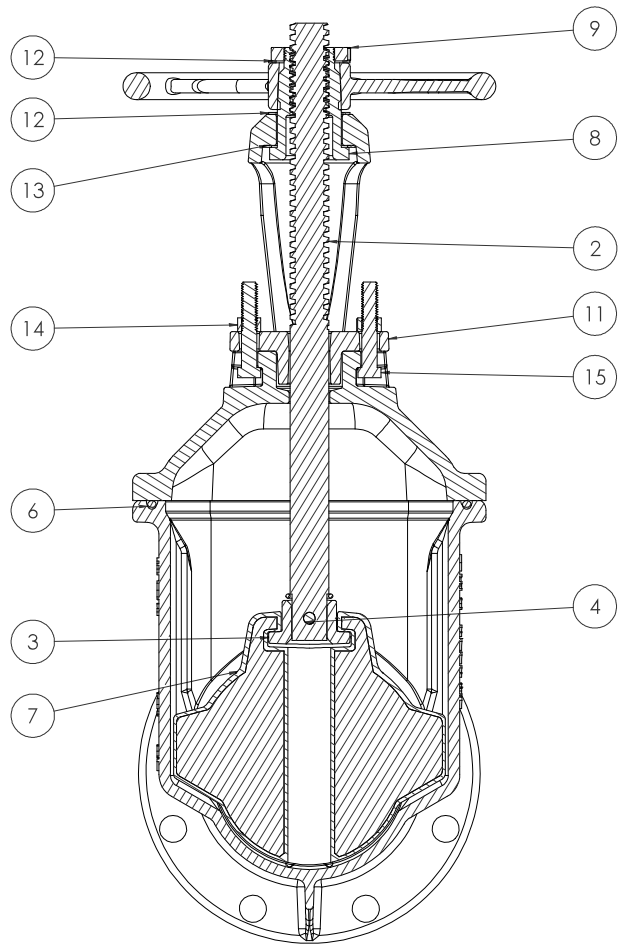


COMPANY: CLW ADDRESS: 10000 W. 10th Ave., Suite 100 Overland Park, KS 66211 PHONE: (913) 241-1100 FAX: (913) 241-1101 WWW: www.clw.com	PROJECT: 06" C515 CS&Y RESILIENT WEDGE GATE VALVE SHEET: 2 OF 6 DATE: 10/01/2020 SCALE: 1:5 DRAWN BY: CW	REVISIONS: <table border="1"> <tr> <th>NO.</th> <th>DATE</th> <th>DESCRIPTION</th> </tr> <tr> <td>1</td> <td>10/01/2020</td> <td>ISSUED FOR CONSTRUCTION</td> </tr> </table>	NO.	DATE	DESCRIPTION	1	10/01/2020	ISSUED FOR CONSTRUCTION	PROJECT NO: A SHEET NO: 2 OF 6 SCALE: 1:5 DRAWN BY: CW CHECKED BY: [blank] APPROVED BY: [blank]	CLW 10000 W. 10th Ave., Suite 100 Overland Park, KS 66211 (913) 241-1100 www.clw.com
NO.	DATE	DESCRIPTION								
1	10/01/2020	ISSUED FOR CONSTRUCTION								

**OS&Y WITH HANDWHEEL**



<b>CLW</b> CLW Valve Co.		06" CS15 OS&Y RESILIENT WEDGE GATE VALVE		3 6	D
DATE: 10/01/2020 DWG NO: 21002 REV: 1 DESIGNED BY: [Name] CHECKED BY: [Name]	PROJECT NO: [Number] DRAWING NO: [Number] SCALE: 1:5 SHEET NO: 6	MATERIAL: [Material] WEIGHT: [Weight] PART NO: [Part No]	MANUFACTURED BY: [Manufacturer] LOCATION: [Location]	APPROVED BY: [Signature] DATE: [Date]	DRAWN BY: [Name]



CLOW VALVE CO. 10000 W. 10th St., Erie, PA 16510 814-833-1100 FAX 814-833-1101 WWW.CLOWVALVE.COM		CLOW VALVE CO. 10000 W. 10th St., Erie, PA 16510 814-833-1100 FAX 814-833-1101 WWW.CLOWVALVE.COM		DATE: 10/01/2008 TIME: 10:00 AM USER: CW	PROJECT: 06" CS15 CS&Y RESILIENT WEDGE GATE VALVE LBS: 1:5 SHEET: 4 OF 6	CLOW VALVE CO. 10000 W. 10th St., Erie, PA 16510 814-833-1100 FAX 814-833-1101 WWW.CLOWVALVE.COM
--	--	--	--	--	--	--

<u>ITEM NO.</u>	<u>COMPONENT</u>	<u>QTY.</u>	<u>SIZE</u>	<u>STANDARD MATERIAL</u>	<u>MATERIAL OPTIONS</u>
1	BODY	1	-	DUCTILE IRON	-
2	STEM	1	-	C65500	304 SS, 316 SS
3	STEM NUT	1	-	C87850	C87610 (LOW ZINC)
4	DRIVLOK PIN	1	3/8"X1 3/4"	303 SS	-
5	COVER	1	-	DUCTILE IRON	-
6	O-RING	1	#445	EPDM	BUNA-N
7	WEDGE	1	-	EPDM/DUCTILE IRON	-
8	TOP STEM NUT	1	-	C86700	-
9	HOLD DOWN NUT	1	-	C87850	-
10	HANDWHEEL	1	12"	DUCTILE IRON	-
11	GLAND	1	-	CAST IRON	-
12	LOWER THRUST WASHER	2	-	C-26000	-
13	THRUST WASHER	1	-	NYLATRON	-
14	HEX NUT	2	1/2"-13	18-8 SS	316 SS
15	SQUARE HEAD CAP SCREW	2	1/2"-13 X 2 3/4"	18-8 SS	316 SS
16	HEX NUT	4	5/8"-11	18-8 SS	316 SS
17	HEX HEAD CAP SCREW	4	5/8"-11 X 2 1/4"	18-8 SS	316 SS
19	O-RING	1	#218	EPDM	BUNA-N

- VALVES CONFORM WITH THE FOLLOWING STANDARDS
  - AWWA C509
  - NSF 61
- LOW ZINC BRASS STEM AND STEM NUT AVAILABLE
- 100% DOMESTIC FASTENERS AND ORINGS OPTIONS AVAILABLE
- *OPEN LEFT* (COUNTERCLOCKWISE) AND *OPEN RIGHT* (CLOCKWISE) OPTIONS AVAILABLE
- TURNS TO OPEN FROM FULLY CLOSED: 20
- AWWA MAXIMUM ALLOWABLE CLOSING TORQUE 110 FT-LBS

<b>CLW</b> <small>CLW VALVE CO.</small>		<small>90° CS15 CS&amp;Y RESILIENT WEDGE GATE VALVE</small>		<small>5</small> <small>6</small>
<small>DATE</small> <small>REV</small> <small>QTY</small> <small>PRICE</small> <small>TOTAL</small>	<small>REV</small> <small>DATE</small> <small>BY</small> <small>APP</small>	<small>DESCRIPTION</small> <small>QTY</small> <small>UNIT</small> <small>PRICE</small> <small>TOTAL</small>	<small>DATE</small> <small>BY</small> <small>APP</small>	<small>SCALE</small> <small>1:5</small>
<small>DATE</small> <small>REV</small> <small>QTY</small> <small>PRICE</small> <small>TOTAL</small>		<small>DATE</small> <small>REV</small> <small>QTY</small> <small>PRICE</small> <small>TOTAL</small>		<small>SCALE</small> <small>1:5</small>