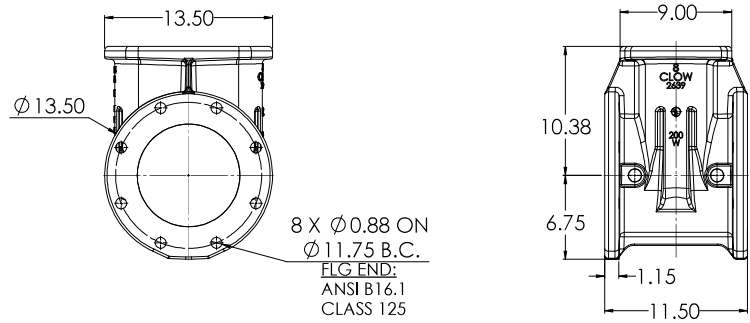
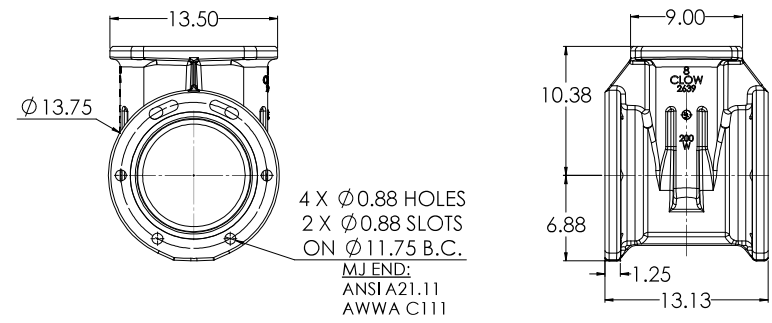


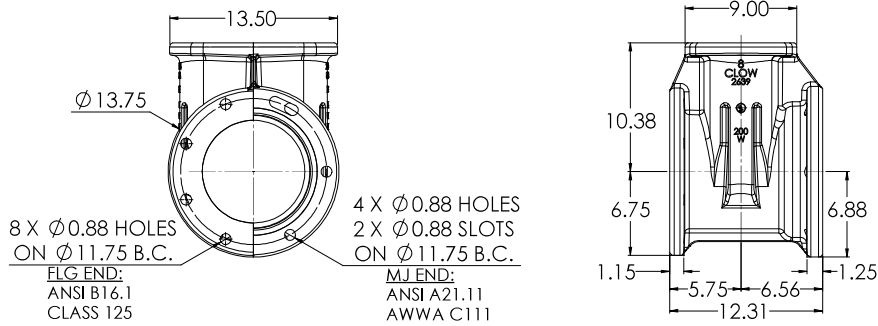
08" C509 FLG X FLG



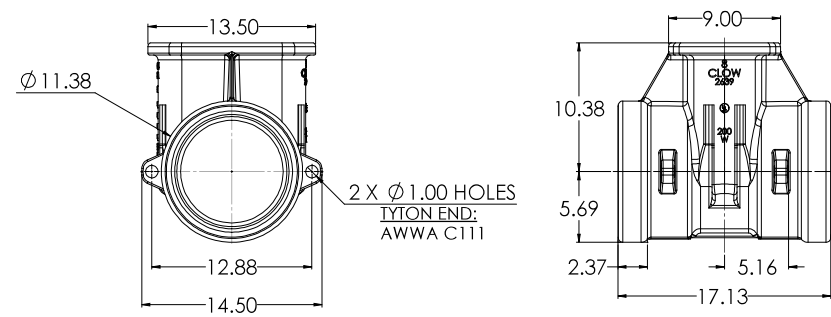
08" C509 MJ X MJ



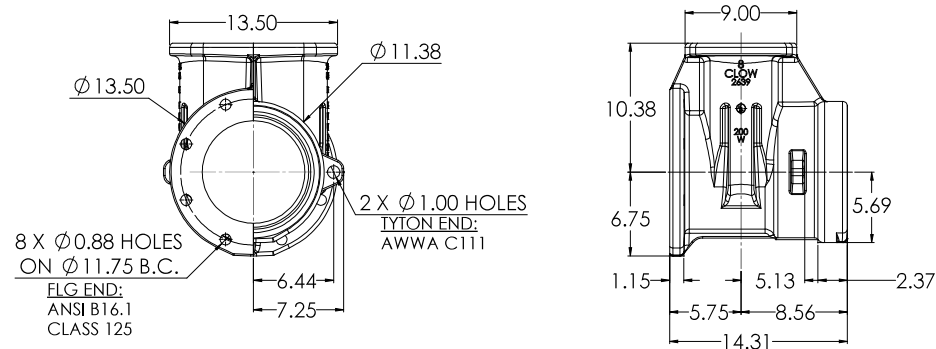
08" C509 FLG X MJ



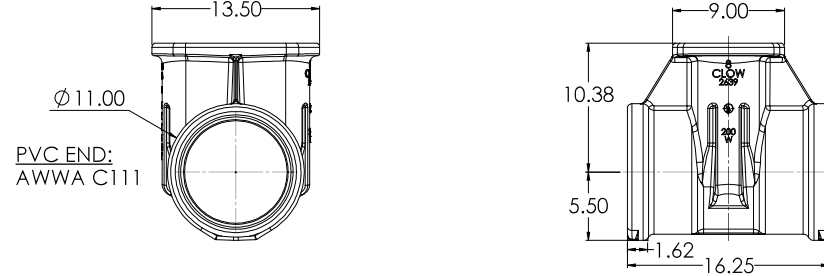
08" C509 TYTON X TYTON



08" C509 FLG X TYTON

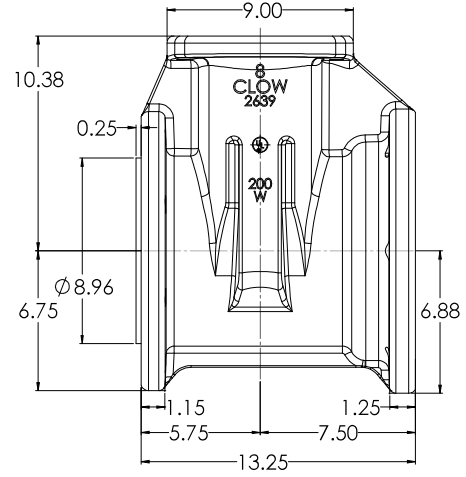
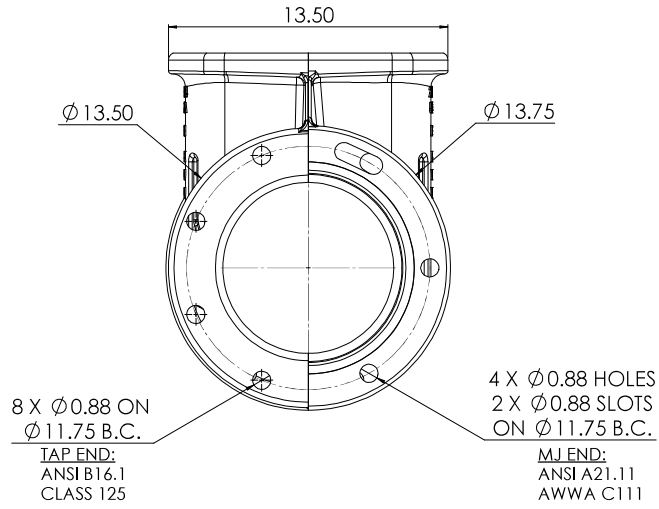


08" C509 PVC X PVC



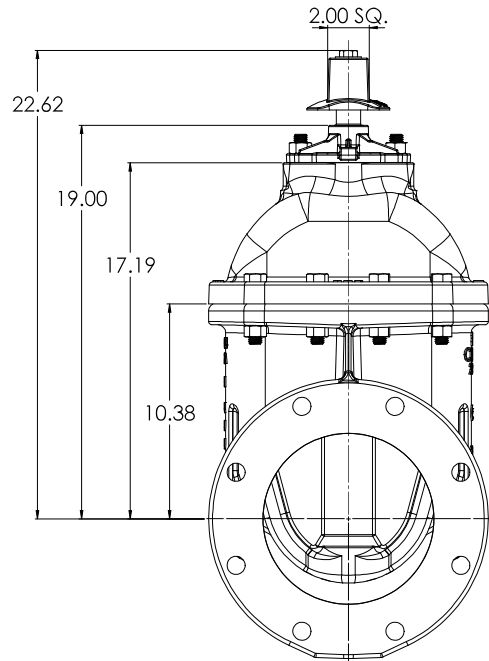
COMPANY: CLW VALVE CO. ADDRESS: 11111 W. 111TH ST., OVERLAND PARK, MO 66213 PHONE: (816) 875-1111 FAX: (816) 875-1112 WWW: WWW.CLWVALVE.COM		PROJECT: 08" C509 NRS RESILIENT WEDGE LBS. GATE VALVE T:5		DRAWING NO: 1222/2020 SHEET NO: 6 PROJECT NO: D
--	--	---	--	---

08" C509 MJ X TAP

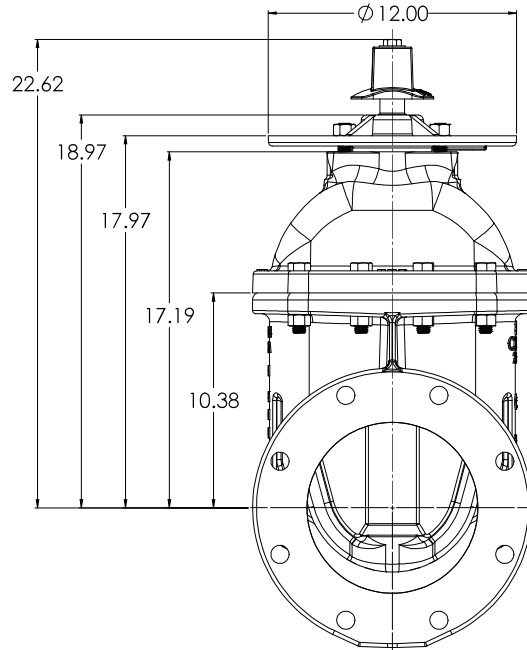


COMPANY: CLW ADDRESS: 1222 20TH ST CITY: CHICAGO, IL 60604 PHONE: (773) 399-1234 FAX: (773) 399-1235 WWW: WWW.CLW.COM	PROJECT: 08" C509 NRS RESILIENT WEDGE DRAWING: LBS, GATE VALVE SCALE: 1:5 DATE: 12/22/2020	SHEET NO: 2 TOTAL SHEETS: 6 DRAWN BY: D	CLW WATER CO.
--	---	---	-------------------------

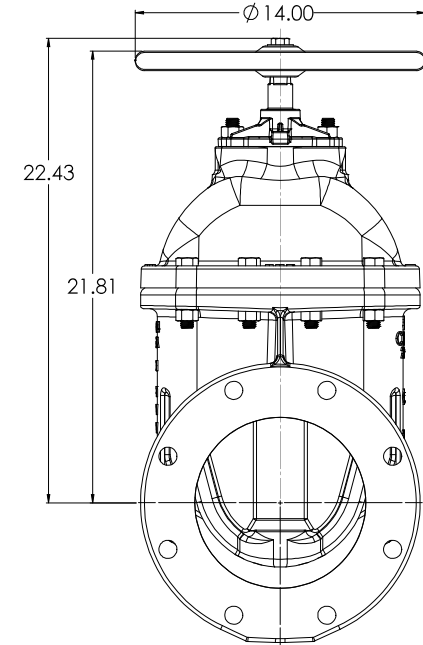
**OPERATING NUT WITH
O-RING PLATE**



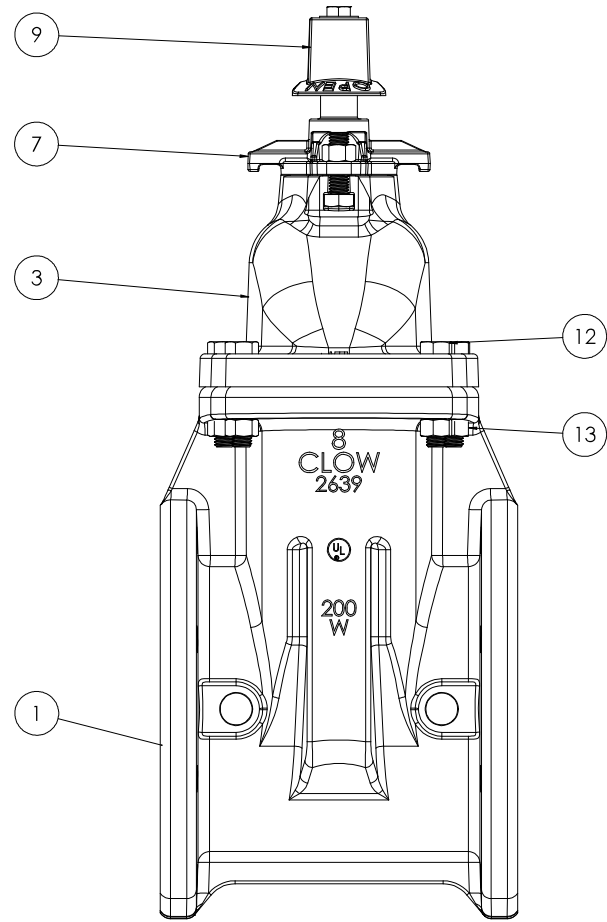
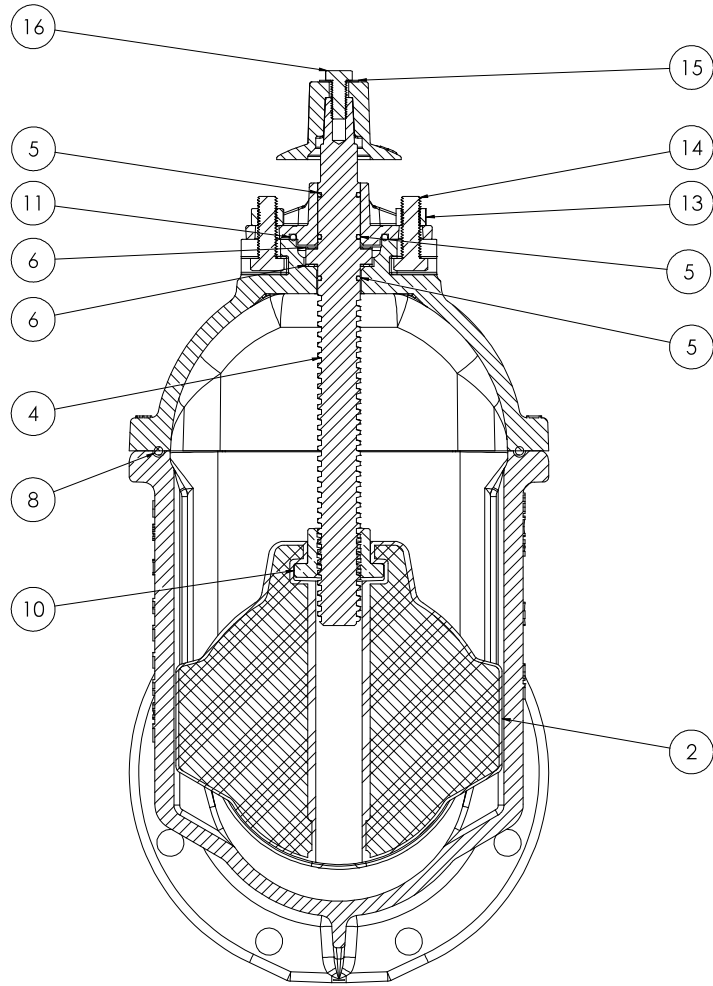
**OPERATING NUT WITH
INDICATOR POST PLATE**



**HANDWHEEL WITH
O-RING PLATE**



COMPANY: CLW ADDRESS: 1220 2020 PHONE: 408-255-1234 FAX: 408-255-1235 E-MAIL: sales@clw.com WEBSITE: www.clw.com	PROJECT: 08" C509 NRS RESILIENT WEDGE GATE VALVE LBS: 1:5 DATE: 12/20/2020	SHEET: 3 TOTAL: 6 DRAWN: [Signature] CHECKED: [Signature]	CLW 12/20/2020
---	--	--	-------------------



CROWN VALVE CO. 1000 W. 10th St., Erie, Pa. 16590 Phone: 814/398-2100 Fax: 814/398-2101 E-mail: sales@clw.com		CROWN VALVE CO. 1000 W. 10th St., Erie, Pa. 16590 Phone: 814/398-2100 Fax: 814/398-2101 E-mail: sales@clw.com		DRAWING NO. 08-C509-NRS TITLE 08" C509 NRS RESILIENT WEDGE GATE VALVE SCALE 1:5 DATE 12/2/2020		SHEET NO. 4 TOTAL SHEETS 6 PROJECT NO. S0816016-SP2		CLW CROWN VALVE CO.	
---	--	---	--	---	--	---	--	-------------------------------	--

<u>ITEM NO.</u>	<u>COMPONENT</u>	<u>QTY.</u>	<u>SIZE</u>	<u>STANDARD MATERIAL</u>	<u>MATERIAL OPTIONS</u>
1	BODY	1	-	DUCTILE IRON	CAST IRON
2	WEDGE	1	-	EPDM/DUCTILE IRON	-
3	COVER	1	-	DUCTILE IRON	-
4	STEM	1	-	C86700	C99500 (LOW ZINC), 304 SS, 316 SS
5	O-RING	3	#216	EPDM	BUNA-N
6	THRUST WASHER	2	-	ACETAL	C26000
7	O-RING PLATE	1	-	DUCTILE IRON	**INDICATOR POST PLATE**
8	O-RING	1	#447	EPDM	BUNA-N
9	OPERATING NUT	1	-	DUCTILE IRON	C86700, **Ø 14" HANDWHEEL**
10	STEM NUT	1	-	C87850	C87610 (LOW ZINC)
11	O-RING	1	#335	EPDM	BUNA-N
12	HEX HEAD CAP SCREW	8	5/8"-11 X 3"	18-8 SS	316 SS
13	HEX NUT	10	5/8"-11	18-8 SS	316 SS
14	HEX HEAD CAP SCREW	2	5/8"-11 X 2"	18-8 SS	316 SS
15	WASHER	1	1/2"	18-8 SS	316 SS
16	HEX HEAD CAP SCREW	1	1/2"-13 X 1 1/4"	18-8 SS	18-8 SS

VALVES CONFORM WITH THE FOLLOWING STANDARDS

- AWWA C509
- NSF 61

- LOW ZINC BRASS STEM AND STEM NUT AVAILABLE
- 100% DOMESTIC FASTENERS AND ORINGS OPTIONS AVAILABLE
- *OPEN LEFT* (COUNTERCLOCKWISE) AND *OPEN RIGHT* (CLOCKWISE) OPTIONS AVAILABLE
- TURNS TO OPEN FROM FULLY CLOSED: 26
- AWWA MAXIMUM ALLOWABLE CLOSING TORQUE 150 FT-LBS
- OPTIONAL HANDWHEEL CAN BE SUBSTITUTED FOR STANDARD 2" SQUARE OP. NUTS.
 - ****NOTE: STANDARD HANDWHEEL SIZE LISTED OUT IN PARTS LIST.****
- MAXIMUM PRESSURE RATING 250 PSI

<small>CLW Logo</small> <small>CLW Logo</small>		<small>CLW Logo</small> <small>CLW Logo</small>		<small>CLW Logo</small> <small>CLW Logo</small>	
<small>DATE</small> <small>REV</small> <small>QTY</small> <small>PRICE</small> <small>TOTAL</small>	<small>DESCRIPTION</small> <small>UNIT</small> <small>QTY</small> <small>PRICE</small> <small>TOTAL</small>	<small>DATE</small> <small>REV</small> <small>QTY</small> <small>PRICE</small> <small>TOTAL</small>	<small>DESCRIPTION</small> <small>UNIT</small> <small>QTY</small> <small>PRICE</small> <small>TOTAL</small>	<small>DATE</small> <small>REV</small> <small>QTY</small> <small>PRICE</small> <small>TOTAL</small>	<small>DESCRIPTION</small> <small>UNIT</small> <small>QTY</small> <small>PRICE</small> <small>TOTAL</small>
<small>DATE</small> <small>REV</small> <small>QTY</small> <small>PRICE</small> <small>TOTAL</small>		<small>DESCRIPTION</small> <small>UNIT</small> <small>QTY</small> <small>PRICE</small> <small>TOTAL</small>		<small>DATE</small> <small>REV</small> <small>QTY</small> <small>PRICE</small> <small>TOTAL</small>	
<small>DATE</small> <small>REV</small> <small>QTY</small> <small>PRICE</small> <small>TOTAL</small>		<small>DESCRIPTION</small> <small>UNIT</small> <small>QTY</small> <small>PRICE</small> <small>TOTAL</small>		<small>DATE</small> <small>REV</small> <small>QTY</small> <small>PRICE</small> <small>TOTAL</small>	
<small>DATE</small> <small>REV</small> <small>QTY</small> <small>PRICE</small> <small>TOTAL</small>		<small>DESCRIPTION</small> <small>UNIT</small> <small>QTY</small> <small>PRICE</small> <small>TOTAL</small>		<small>DATE</small> <small>REV</small> <small>QTY</small> <small>PRICE</small> <small>TOTAL</small>	
<small>DATE</small> <small>REV</small> <small>QTY</small> <small>PRICE</small> <small>TOTAL</small>		<small>DESCRIPTION</small> <small>UNIT</small> <small>QTY</small> <small>PRICE</small> <small>TOTAL</small>		<small>DATE</small> <small>REV</small> <small>QTY</small> <small>PRICE</small> <small>TOTAL</small>	
<small>DATE</small> <small>REV</small> <small>QTY</small> <small>PRICE</small> <small>TOTAL</small>		<small>DESCRIPTION</small> <small>UNIT</small> <small>QTY</small> <small>PRICE</small> <small>TOTAL</small>		<small>DATE</small> <small>REV</small> <small>QTY</small> <small>PRICE</small> <small>TOTAL</small>	
<small>DATE</small> <small>REV</small> <small>QTY</small> <small>PRICE</small> <small>TOTAL</small>		<small>DESCRIPTION</small> <small>UNIT</small> <small>QTY</small> <small>PRICE</small> <small>TOTAL</small>		<small>DATE</small> <small>REV</small> <small>QTY</small> <small>PRICE</small> <small>TOTAL</small>	
<small>DATE</small> <small>REV</small> <small>QTY</small> <small>PRICE</small> <small>TOTAL</small>		<small>DESCRIPTION</small> <small>UNIT</small> <small>QTY</small> <small>PRICE</small> <small>TOTAL</small>		<small>DATE</small> <small>REV</small> <small>QTY</small> <small>PRICE</small> <small>TOTAL</small>	
<small>DATE</small> <small>REV</small> <small>QTY</small> <small>PRICE</small> <small>TOTAL</small>		<small>DESCRIPTION</small> <small>UNIT</small> <small>QTY</small> <small>PRICE</small> <small>TOTAL</small>		<small>DATE</small> <small>REV</small> <small>QTY</small> <small>PRICE</small> <small>TOTAL</small>	
<small>DATE</small> <small>REV</small> <small>QTY</small> <small>PRICE</small> <small>TOTAL</small>		<small>DESCRIPTION</small> <small>UNIT</small> <small>QTY</small> <small>PRICE</small> <small>TOTAL</small>		<small>DATE</small> <small>REV</small> <small>QTY</small> <small>PRICE</small> <small>TOTAL</small>	
<small>DATE</small> <small>REV</small> <small>QTY</small> <small>PRICE</small> <small>TOTAL</small>		<small>DESCRIPTION</small> <small>UNIT</small> <small>QTY</small> <small>PRICE</small> <small>TOTAL</small>		<small>DATE</small> <small>REV</small> <small>QTY</small> <small>PRICE</small> <small>TOTAL</small>	
<small>DATE</small> <small>REV</small> <small>QTY</small> <small>PRICE</small> <small>TOTAL</small>		<small>DESCRIPTION</small> <small>UNIT</small> <small>QTY</small> <small>PRICE</small> <small>TOTAL</small>		<small>DATE</small> <small>REV</small> <small>QTY</small> <small>PRICE</small> <small>TOTAL</small>	
<small>DATE</small> <small>REV</small> <small>QTY</small> <small>PRICE</small> <small>TOTAL</small>		<small>DESCRIPTION</small> <small>UNIT</small> <small>QTY</small> <small>PRICE</small> <small>TOTAL</small>		<small>DATE</small> <small>REV</small> <small>QTY</small> <small>PRICE</small> <small>TOTAL</small>	
<small>DATE</small> <small>REV</small> <small>QTY</small> <small>PRICE</small> <small>TOTAL</small>		<small>DESCRIPTION</small> <small>UNIT</small> <small>QTY</small> <small>PRICE</small> <small>TOTAL</small>		<small>DATE</small> <small>REV</small> <small>QTY</small> <small>PRICE</small> <small>TOTAL</small>	
<small>DATE</small> <small>REV</small> <small>QTY</small> <small>PRICE</small> <small>TOTAL</small>		<small>DESCRIPTION</small> <small>UNIT</small> <small>QTY</small> <small>PRICE</small> <small>TOTAL</small>		<small>DATE</small> <small>REV</small> <small>QTY</small> <small>PRICE</small> <small>TOTAL</small>	
<small>DATE</small> <small>REV</small> <small>QTY</small> <small>PRICE</small> <small>TOTAL</small>		<small>DESCRIPTION</small> <small>UNIT</small> <small>QTY</small> <small>PRICE</small> <small>TOTAL</small>		<small>DATE</small> <small>REV</small> <small>QTY</small> <small>PRICE</small> <small>TOTAL</small>	
<small>DATE</small> <small>REV</small> <small>QTY</small> <small>PRICE</small> <small>TOTAL</small>		<small>DESCRIPTION</small> <small>UNIT</small> <small>QTY</small> <small>PRICE</small> <small>TOTAL</small>		<small>DATE</small> <small>REV</small> <small>QTY</small> <small>PRICE</small> <small>TOTAL</small>	
<small>DATE</small> <small>REV</small> <small>QTY</small> <small>PRICE</small> <small>TOTAL</small>		<small>DESCRIPTION</small> <small>UNIT</small> <small>QTY</small> <small>PRICE</small> <small>TOTAL</small>		<small>DATE</small> <small>REV</small> <small>QTY</small> <small>PRICE</small> <small>TOTAL</small>	
<small>DATE</small> <small>REV</small> <small>QTY</small> <small>PRICE</small> <small>TOTAL</small>		<small>DESCRIPTION</small> <small>UNIT</small> <small>QTY</small> <small>PRICE</small> <small>TOTAL</small>		<small>DATE</small> <small>REV</small> <small>QTY</small> <small>PRICE</small> <small>TOTAL</small>	
<small>DATE</small> <small>REV</small> <small>QTY</small> <small>PRICE</small> <small>TOTAL</small>		<small>DESCRIPTION</small> <small>UNIT</small> <small>QTY</small> <small>PRICE</small> <small>TOTAL</small>		<small>DATE</small> <small>REV</small> <small>QTY</small> <small>PRICE</small> <small>TOTAL</small>	
<small>DATE</small> <small>REV</small> <small>QTY</small> <small>PRICE</small> <small>TOTAL</small>		<small>DESCRIPTION</small> <small>UNIT</small> <small>QTY</small> <small>PRICE</small> <small>TOTAL</small>		<small>DATE</small> <small>REV</small> <small>QTY</small> <small>PRICE</small> <small>TOTAL</small>	
<small>DATE</small> <small>REV</small> <small>QTY</small> <small>PRICE</small> <small>TOTAL</small>		<small>DESCRIPTION</small> <small>UNIT</small> <small>QTY</small> <small>PRICE</small> <small>TOTAL</small>		<small>DATE</small> <small>REV</small> <small>QTY</small> <small>PRICE</small> <small>TOTAL</small>	
<small>DATE</small> <small>REV</small> <small>QTY</small> <small>PRICE</small> <small>TOTAL</small>		<small>DESCRIPTION</small> <small>UNIT</small> <small>QTY</small> <small>PRICE</small> <small>TOTAL</small>		<small>DATE</small> <small>REV</small> <small>QTY</small> <small>PRICE</small> <small>TOTAL</small>	
<small>DATE</small> <small>REV</small> <small>QTY</small> <small>PRICE</small> <small>TOTAL</small>		<small>DESCRIPTION</small> <small>UNIT</small> <small>QTY</small> <small>PRICE</small> <small>TOTAL</small>		<small>DATE</small> <small>REV</small> <small>QTY</small> <small>PRICE</small> <small>TOTAL</small>	
<small>DATE</small> <small>REV</small> <small>QTY</small> <small>PRICE</small> <small>TOTAL</small>		<small>DESCRIPTION</small> <small>UNIT</small> <small>QTY</small> <small>PRICE</small> <small>TOTAL</small>		<small>DATE</small> <small>REV</small> <small>QTY</small> <small>PRICE</small> <small>TOTAL</small>	
<small>DATE</small> <small>REV</small> <small>QTY</small> <small>PRICE</small> <small>TOTAL</small>		<small>DESCRIPTION</small> <small>UNIT</small> <small>QTY</small> <small>PRICE</small> <small>TOTAL</small>		<small>DATE</small> <small>REV</small> <small>QTY</small> <small>PRICE</small> <small>TOTAL</small>	
<small>DATE</small> <small>REV</small> <small>QTY</small> <small>PRICE</small> <small>TOTAL</small>		<small>DESCRIPTION</small> <small>UNIT</small> <small>QTY</small> <small>PRICE</small> <small>TOTAL</small>		<small>DATE</small> <small>REV</small> <small>QTY</small> <small>PRICE</small> <small>TOTAL</small>	
<small>DATE</small> <small>REV</small> <small>QTY</small> <small>PRICE</small> <small>TOTAL</small>		<small>DESCRIPTION</small> <small>UNIT</small> <small>QTY</small> <small>PRICE</small> <small>TOTAL</small>		<small>DATE</small> <small>REV</small> <small>QTY</small> <small>PRICE</small> <small>TOTAL</small>	
<small>DATE</small> <small>REV</small> <small>QTY</small> <small>PRICE</small> <small>TOTAL</small>		<small>DESCRIPTION</small> <small>UNIT</small> <small>QTY</small> <small>PRICE</small> <small>TOTAL</small>		<small>DATE</small> <small>REV</small> <small>QTY</small> <small>PRICE</small> <small>TOTAL</small>	
<small>DATE</small> <small>REV</small> <small>QTY</small> <small>PRICE</small> <small>TOTAL</small>		<small>DESCRIPTION</small> <small>UNIT</small> <small>QTY</small> <small>PRICE</small> <small>TOTAL</small>		<small>DATE</small> <small>REV</small> <small>QTY</small> <small>PRICE</small> <small>TOTAL</small>	
<small>DATE</small> <small>REV</small> <small>QTY</small> <small>PRICE</small> <small>TOTAL</small>		<small>DESCRIPTION</small> <small>UNIT</small> <small>QTY</small> <small>PRICE</small> <small>TOTAL</small>		<small>DATE</small> <small>REV</small> <small>QTY</small> <small>PRICE</small> <small>TOTAL</small>	
<small>DATE</small> <small>REV</small> <small>QTY</small> <small>PRICE</small> <small>TOTAL</small>		<small>DESCRIPTION</small> <small>UNIT</small> <small>QTY</small> <small>PRICE</small> <small>TOTAL</small>		<small>DATE</small> <small>REV</small> <small>QTY</small> <small>PRICE</small> <small>TOTAL</small>	
<small>DATE</small> <small>REV</small> <small>QTY</small> <small>PRICE</small> <small>TOTAL</small>		<small>DESCRIPTION</small> <small>UNIT</small> <small>QTY</small> <small>PRICE</small> <small>TOTAL</small>		<small>DATE</small> <small>REV</small> <small>QTY</small> <small>PRICE</small> <small>TOTAL</small>	
<small>DATE</small> <small>REV</small> <small>QTY</small> <small>PRICE</small> <small>TOTAL</small>		<small>DESCRIPTION</small> <small>UNIT</small> <small>QTY</small> <small>PRICE</small> <small>TOTAL</small>		<small>DATE</small> <small>REV</small> <small>QTY</small> <small>PRICE</small> <small>TOTAL</small>	
<small>DATE</small> <small>REV</small> <small>QTY</small> <small>PRICE</small> <small>TOTAL</small>		<small>DESCRIPTION</small> <small>UNIT</small> <small>QTY</small> <small>PRICE</small> <small>TOTAL</small>		<small>DATE</small> <small>REV</small> <small>QTY</small> <small>PRICE</small> <small>TOTAL</small>	
<small>DATE</small> <small>REV</small> <small>QTY</small> <small>PRICE</small> <small>TOTAL</small>		<small>DESCRIPTION</small> <small>UNIT</small> <small>QTY</small> <small>PRICE</small> <small>TOTAL</small>		<small>DATE</small> <small>REV</small> <small>QTY</small> <small>PRICE</small> <small>TOTAL</small>	
<small>DATE</small> <small>REV</small> <small>QTY</small> <small>PRICE</small> <small>TOTAL</small>		<small>DESCRIPTION</small> <small>UNIT</small> <small>QTY</small> <small>PRICE</small> <small>TOTAL</small>		<small>DATE</small> <small>REV</small> <small>QTY</small> <small>PRICE</small> <small>TOTAL</small>	
<small>DATE</small> <small>REV</small> <small>QTY</small> <small>PRICE</small> <small>TOTAL</small>		<small>DESCRIPTION</small> <small>UNIT</small> <small>QTY</small> <small>PRICE</small> <small>TOTAL</small>		<small>DATE</small> <small>REV</small> <small>QTY</small> <small>PRICE</small> <small>TOTAL</small>	
<small>DATE</small> <small>REV</small> <small>QTY</small> <small>PRICE</small> <small>TOTAL</small>		<small>DESCRIPTION</small> <small>UNIT</small> <small>QTY</small> <small>PRICE</small> <small>TOTAL</small>		<small>DATE</small> <small>REV</small> <small>QTY</small> <small>PRICE</small> <small>TOTAL</small>	
<small>DATE</small> <small>REV</small> <small>QTY</small> <small>PRICE</small> <small>TOTAL</small>		<small>DESCRIPTION</small> <small>UNIT</small> <small>QTY</small> <small>PRICE</small> <small>TOTAL</small>		<small>DATE</small> <small>REV</small> <small>QTY</small> <small>PRICE</small> <small>TOTAL</small>	
<small>DATE</small> <small>REV</small> <small>QTY</small> <small>PRICE</small> <small>TOTAL</small>		<small>DESCRIPTION</small> <small>UNIT</small> <small>QTY</small> <small>PRICE</small> <small>TOTAL</small>		<small>DATE</small> <small>REV</small> <small>QTY</small> <small>PRICE</small> <small>TOTAL</small>	
<small>DATE</small> <small>REV</small> <small>QTY</small> <small>PRICE</small> <small>TOTAL</small>		<small>DESCRIPTION</small> <small>UNIT</small> <small>QTY</small> <small>PRICE</small> <small>TOTAL</small>		<small>DATE</small> <small>REV</small> <small>QTY</small> <small>PRICE</small> <small>TOTAL</small>	
<small>DATE</small> <small>REV</small> <small>QTY</small> <small>PRICE</small> <small>TOTAL</small>		<small>DESCRIPTION</small> <small>UNIT</small> <small>QTY</small> <small>PRICE</small> <small>TOTAL</small>		<small>DATE</small> <small>REV</small> <small>QTY</small> <small>PRICE</small> <small>TOTAL</small>	
<small>DATE</small> <small>REV</small> <small>QTY</small> <small>PRICE</small> <small>TOTAL</small>		<small>DESCRIPTION</small> <small>UNIT</small> <small>QTY</small> <small>PRICE</small> <small>TOTAL</small>		<small>DATE</small> <small>REV</small> <small>QTY</small> <small>PRICE</small> <small>TOTAL</small>	
<small>DATE</small> <small>REV</small> <small>QTY</small> <small>PRICE</small> <small>TOTAL</small>		<small>DESCRIPTION</small> <small>UNIT</small> <small>QTY</small> <small>PRICE</small> <small>TOTAL</small>		<small>DATE</small> <small>REV</small> <small>QTY</small> <small>PRICE</small> <small>TOTAL</small>	
<small>DATE</small> <small>REV</small> <small>QTY</small> <small>PRICE</small> <small>TOTAL</small>		<small>DESCRIPTION</small> <small>UNIT</small> <small>QTY</small> <small>PRICE</small> <small>TOTAL</small>		<small>DATE</small> <small>REV</small> <small>QTY</small> <small>PRICE</small> <small>TOTAL</small>	
<small>DATE</small> <small>REV</small> <small>QTY</small> <small>PRICE</small> <small>TOTAL</small>		<small>DESCRIPTION</small> <small>UNIT</small> <small>QTY</small> <small>PRICE</small> <small>TOTAL</small>		<small>DATE</small> <small>REV</small> <small>QTY</small> <small>PRICE</small> <small>TOTAL</small>	
<small>DATE</small> <small>REV</small> <small>QTY</small> <small>PRICE</small> <small>TOTAL</small>		<small>DESCRIPTION</small> <small>UNIT</small> <small>QTY</small> <small>PRICE</small> <small>TOTAL</small>		<small>DATE</small> <small>REV</small> <small>QTY</small> <small>PRICE</small> <small>TOTAL</small>	
<small>DATE</small> <small>REV</small> <small>QTY</small> <small>PRICE</small> <small>TOTAL</small>		<small>DESCRIPTION</small> <small>UNIT</small> <small>QTY</small> <small>PRICE</small> <small>TOTAL</small>		<small>DATE</small> <small>REV</small> <small>QTY</small> <small>PRICE</small> <small>TOTAL</small>	
<small>DATE</small> <small>REV</small> <small>QTY</small> <small>PRICE</small> <small>TOTAL</small>		<small>DESCRIPTION</small> <small>UNIT</small> <small>QTY</small> <small>PRICE</small> <small>TOTAL</small>		<small>DATE</small> <small>REV</small> <small>QTY</small> <small>PRICE</small> <small>TOTAL</small>	
<small>DATE</small> <small>REV</small> <small>QTY</small> <small>PRICE</small> <small>TOTAL</small>		<small>DESCRIPTION</small> <small>UNIT</small> <small>QTY</small> <small>PRICE</small> <small>TOTAL</small>		<small>DATE</small> <small>REV</small> <small>QTY</small> <small>PRICE</small> <small>TOTAL</small>	
<small>DATE</small> <small>REV</small> <small>QTY</small> <small>PRICE</small> <small>TOTAL</small>		<small>DESCRIPTION</small> <small>UNIT</small> <small>QTY</small> <small>PRICE</small> <small>TOTAL</small>		<small>DATE</small> <small>REV</small> <small>QTY</small> <small>PRICE</small> <small>TOTAL</small>	
<small>DATE</small> <small>REV</small> <small>QTY</small> <small>PRICE</small> <small>TOTAL</small>		<small>DESCRIPTION</small> <small>UNIT</small> <small>QTY</small> <small>PRICE</small> <small>TOTAL</small>		<small>DATE</small> <small>REV</small> <small>QTY</small> <small>PRICE</small> <small>TOTAL</small>	
<small>DATE</small> <small>REV</small> <small>QTY</small> <small>PRICE</small> <small>TOTAL</small>		<small>DESCRIPTION</small> <small>UNIT</small> <small>QTY</small> <small>PRICE</small> <small>TOTAL</small>		<small>DATE</small> <small>REV</small> <small>QTY</small> <small>PRICE</small> <small>TOTAL</small>	
<small>DATE</small> <small>REV</small> <small>QTY</small> <small>PRICE</small> <small>TOTAL</small>		<small>DESCRIPTION</small> <small>UNIT</small> <small>QTY</small> <small>PRICE</small> <small>TOTAL</small>		<small>DATE</small> <small>REV</small> <small>QTY</small> <small>PRICE</small> <small>TOTAL</small>	
<small>DATE</small> <small>REV</small> <small>QTY</small> <small>PRICE</small> <small>TOTAL</small>		<small>DESCRIPTION</small> <small>UNIT</small> <small>QTY</small> <small>PRICE</small> <small>TOTAL</small>		<small>DATE</small> <small>REV</small> <small>QTY</small> <small>PRICE</small> <small>TOTAL</small>	
<small>DATE</small> <small>REV</small> <small>QTY</small> <small>PRICE</small> <small>TOTAL</small>		<small>DESCRIPTION</small> <small>UNIT</small> <small>QTY</small> <small>PRICE</small> <small>TOTAL</small>		<small>DATE</small> <small>REV</small> <small>QTY</small> <small>PRICE</small> <small>TOTAL</small>	
<small>DATE</small> <small>REV</small> <small>QTY</small> <small>PRICE</small> <small>TOTAL</small>		<small>DESCRIPTION</small> <small>UNIT</small> <small>QTY</small> <small>PRICE</small> <small>TOTAL</small>		<small>DATE</small> <small>REV</small> <small>QTY</small> <small>PRICE</small> <small>TOTAL</small>	
<small>DATE</small> <small>REV</small> <small>QTY</small> <small>PRICE</small> <small>TOTAL</small>		<small>DESCRIPTION</small> <small>UNIT</small> <small>QTY</small> <small>PRICE</small> <small>TOTAL</small>		<small>DATE</small> <small>REV</small> <small>QTY</small> <small>PRICE</small> <small>TOTAL</small>	
<small>DATE</small> <small>REV</small> <small>QTY</small> <small>PRICE</small> <small>TOTAL</small>		<small>DESCRIPTION</small> <small>UNIT</small> <small>QTY</small> <small>PRICE</small> <small>TOTAL</small>		<small>DATE</small> <small>REV</small> <small>QTY</small> <small>PRICE</small> <small>TOTAL</small>	
<small>DATE</small> <small>REV</small> <small>QTY</small> <small>PRICE</small> <small>TOTAL</small>		<small>DESCRIPTION</small> <small>UNIT</small> <small>QTY</small> <small>PRICE</small> <small>TOTAL</small>		<small>DATE</small> <small>REV</small> <small>QTY</small> <small>PRICE</small> <small>TOTAL</small>	
<small>DATE</small> <small>REV</small> <small>QTY</small> <small>PRICE</small> <small>TOTAL</small>		<small>DESCRIPTION</small> <small>UNIT</small> <small>QTY</small> <small>PRICE</small> <small>TOTAL</small>		<small>DATE</small> <small>REV</small> <small>QTY</small> <small>PRICE</small> <small>TOTAL</small>	
<small>DATE</small> <small>REV</small> <small>QTY</small> <small>PRICE</small> <small>TOTAL</small>		<small>DESCRIPTION</small> <small>UNIT</small> <small>QTY</small> <small>PRICE</small> <small>TOTAL</small>		<small>DATE</small> <small>REV</small> <small>QTY</small> <small>PRICE</small> <small>TOTAL</small>	
<small>DATE</small> <small>REV</small> <small>QTY</small> <small>PRICE</small> <small>TOTAL</small>					