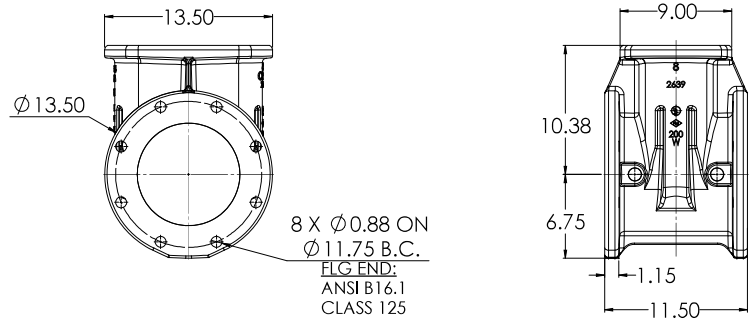
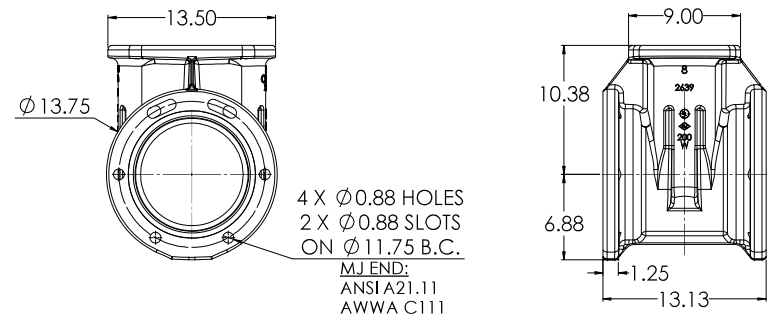


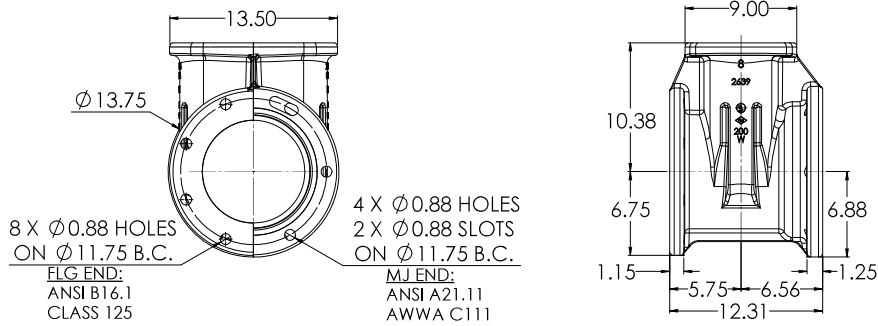
08" C509 FLG X FLG



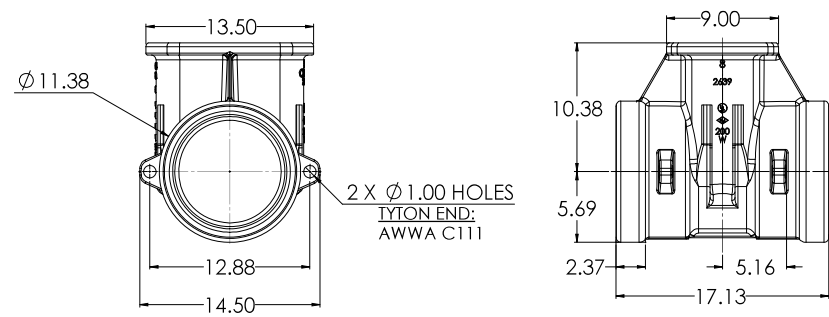
08" C509 MJ X MJ



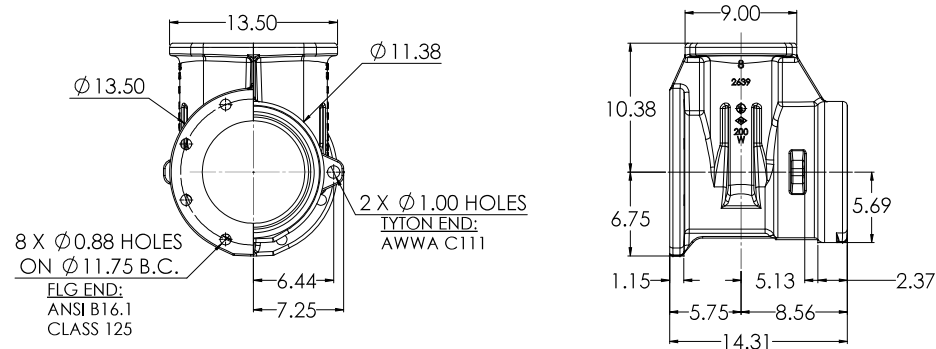
08" C509 FLG X MJ



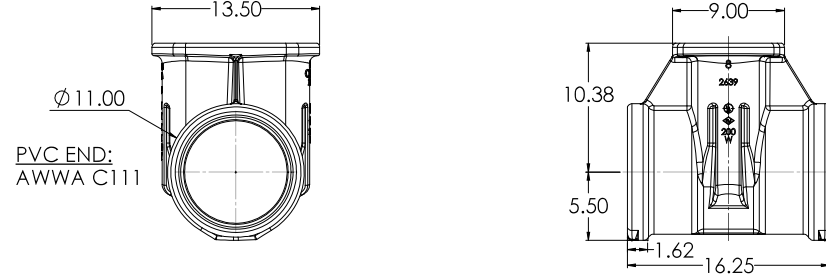
08" C509 TYTON X TYTON



08" C509 FLG X TYTON

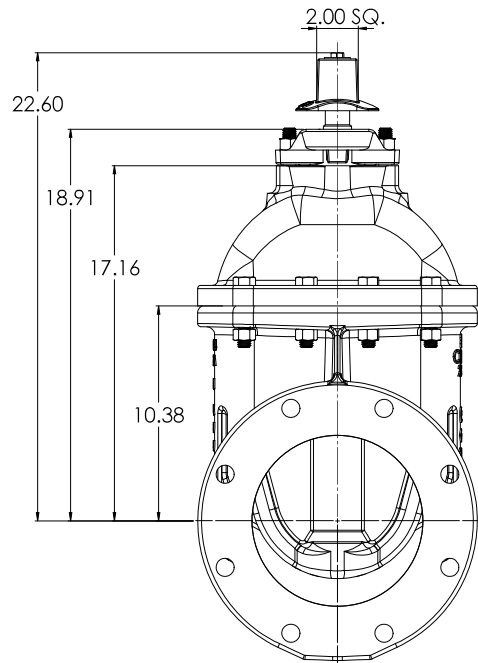


08" C509 PVC X PVC

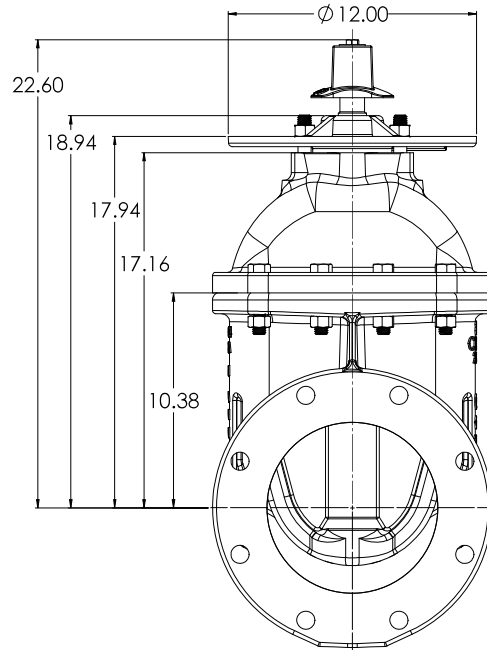


COMPANY: SWISS VALVE ADDRESS: 11111 SWISS VALVE DRIVE, SUITE 100, DALLAS, TX 75244 PHONE: 214-343-8800 FAX: 214-343-8801 WWW: WWW.SWISSVALVE.COM	TITLE: 08" C509 NRS RESILIENT WEDGE GATE VALVE LBS: 125 T: 1:5	DATE: 12/22/2020 DRAWN BY: SWISS VALVE CHECKED BY: SWISS VALVE APPROVED BY: SWISS VALVE	SHEET NO: 5 TOTAL SHEETS: 5 PROJECT NO: SWISS VALVE
---	---	--	--

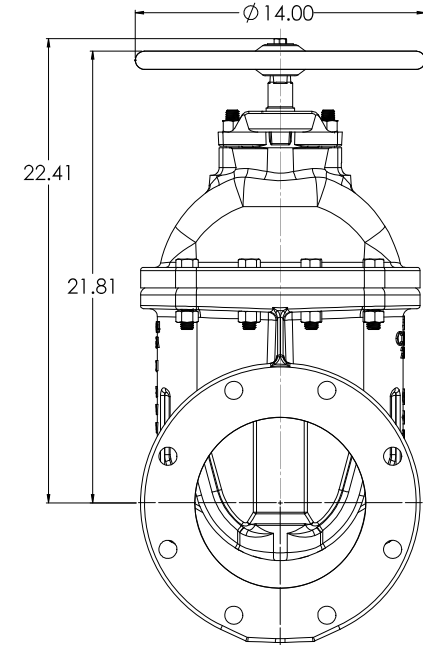
**OPERATING NUT WITH
O-RING PLATE**



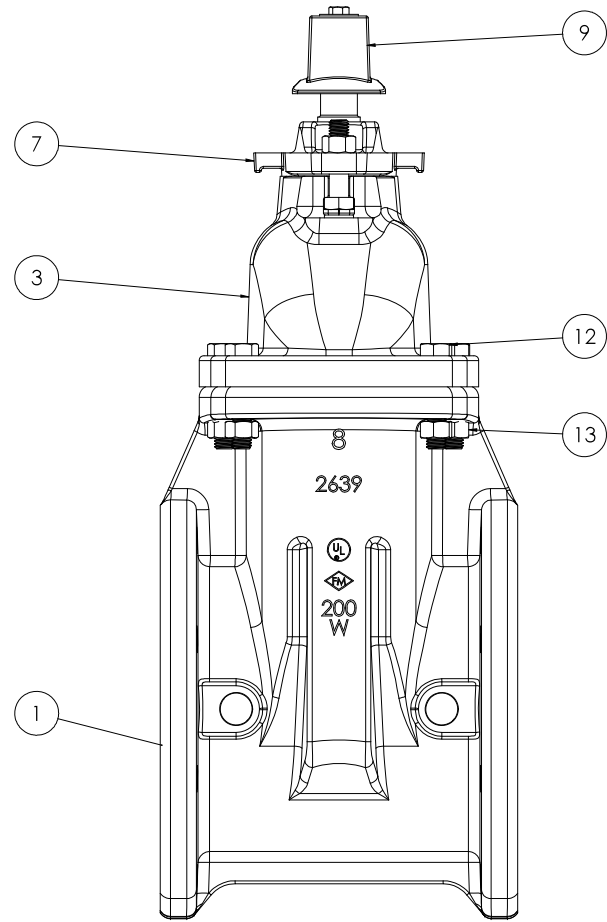
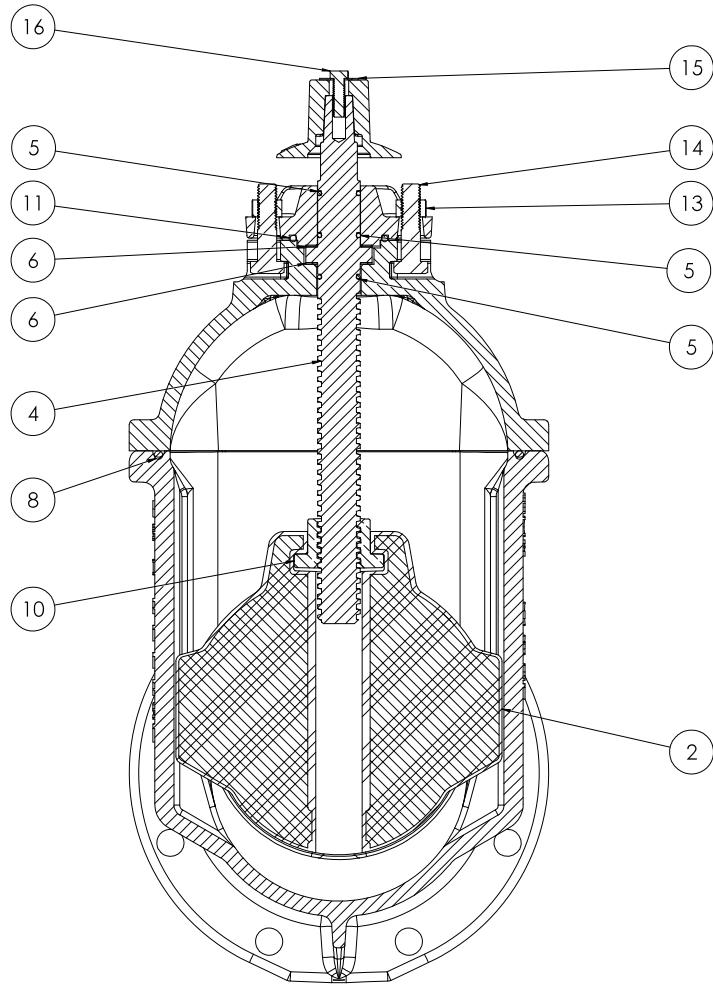
**OPERATING NUT WITH
INDICATOR POST PLATE**



**HANDWHEEL WITH
O-RING PLATE**



COMPANY: SOLOWORKS ADDRESS: 1220 202ND STREET, SUITE 100 SEASIDE, CA 92138 PHONE: (949) 440-8888 FAX: (949) 440-8889 WWW: WWW.SOLOWORKS.COM		PROJECT: 08" C509 NRS RESILIENT WEDGE GATE VALVE LBS: 1000 DATE: 12/20/2020		SHEET: 2 TOTAL: 5	SCALE: 1:5 DATE: 12/20/2020 DRAWN BY: SOLOWORKS 2016 SP2	
---	--	--	--	------------------------------------	---	--



WATKINS A Division of The Toro Company 10000 W. 16th Avenue, Broomfield, CO 80020-3099 Phone: 303.440.2000 Fax: 303.440.2001		08" C509 NRS RESILIENT WEDGE GATE VALVE			
DATE OF DESIGN: 11/2017 DATE OF DRAWING: 12/2017 DRAWN BY: J. H. H. / J. H. H. CHECKED BY: J. H. H. / J. H. H. APPROVED BY: J. H. H. / J. H. H.	PART NUMBER: 2639 REV: 01 DATE: 12/2017 BY: J. H. H. / J. H. H.	MATERIAL: 304 SS FINISH: POLISHED WEIGHT: 100 LBS DIMENSIONS: 10" x 10" x 10"	SCALE: 1:5 SHEET NO: 3 TOTAL SHEETS: 5	DRAWN BY: J. H. H. / J. H. H. CHECKED BY: J. H. H. / J. H. H. APPROVED BY: J. H. H. / J. H. H.	DATE: 12/2017 BY: J. H. H. / J. H. H.

