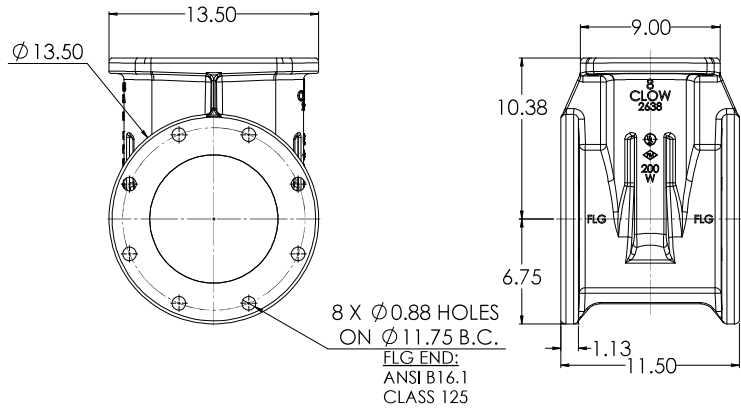
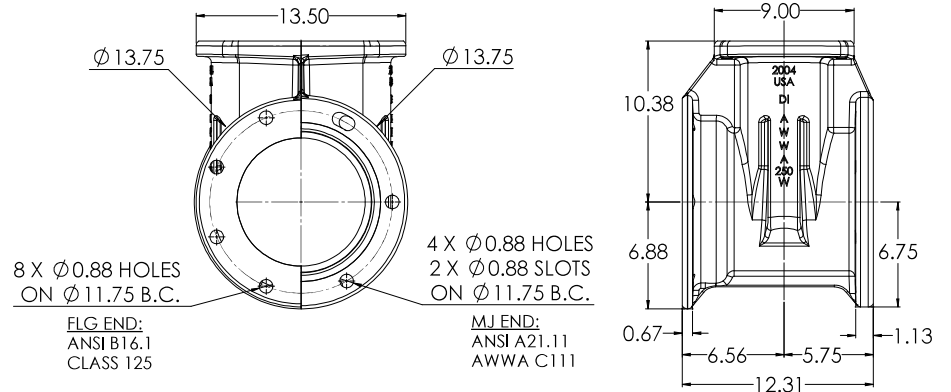


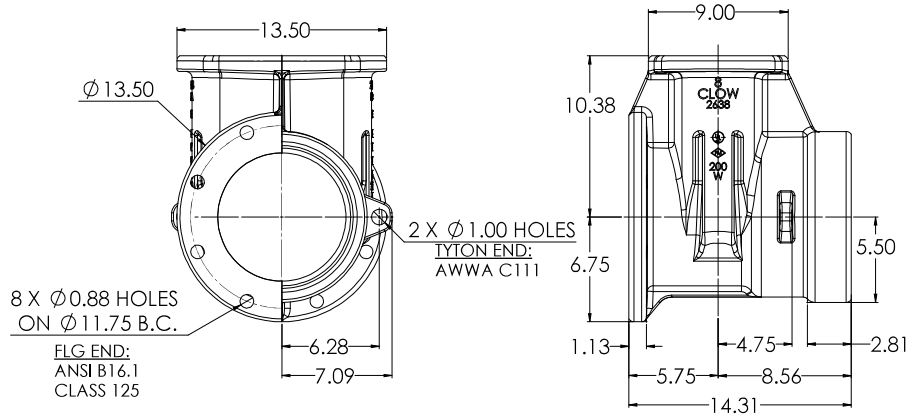
**08" C515 FLG X FLG**



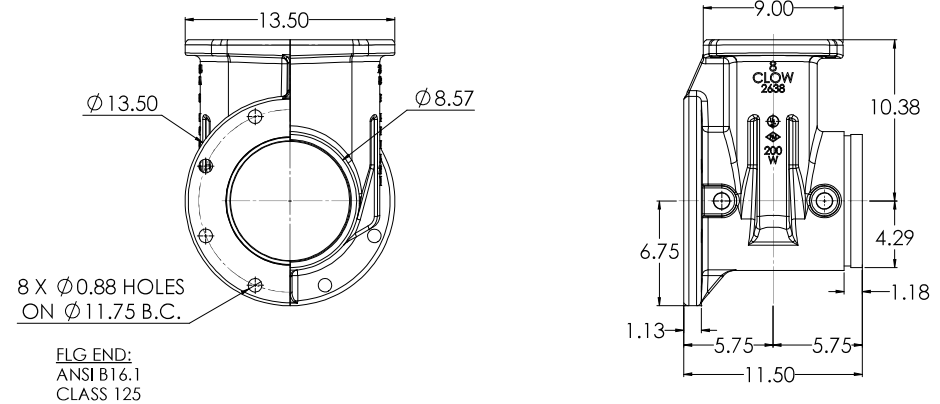
**08" C515 FLG X MJ**



**08" C515 FLG X TYTON**

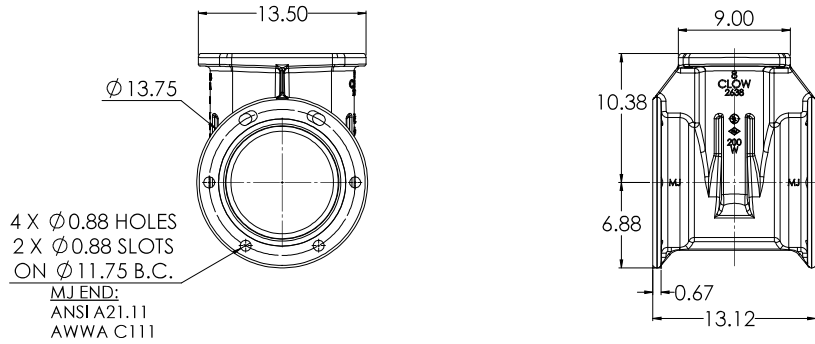


**08" C515 FLG X GRVD**

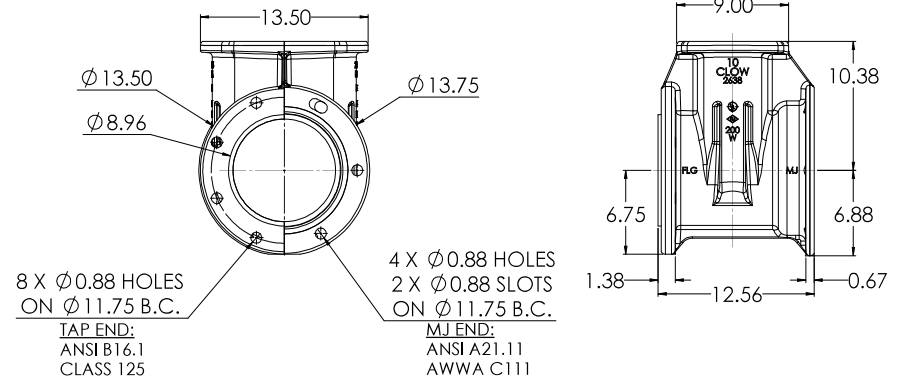


COMPANY: CLOW VALVE COMPANY ADDRESS: 1000 W. 10TH ST., ST. LOUIS, MO 63103 PHONE: (314) 241-1000 FAX: (314) 241-1001 WWW: WWW.CLOWVALVE.COM		PROJECT: 08" C515 CS&Y RESILIENT WEDGE LBS. GATE VALVE SCALE: 1:5 DATE: 12/20/2020		DRAWN: A CHECKED: A APPROVED: A PROJECT: A SHEET: 6 TOTAL SHEETS: 6
COWI CONSULTANTS 1000 W. 10TH ST. ST. LOUIS, MO 63103 (314) 241-1000 (314) 241-1001 WWW.CLOWVALVE.COM	COWI CONSULTANTS 1000 W. 10TH ST. ST. LOUIS, MO 63103 (314) 241-1000 (314) 241-1001 WWW.CLOWVALVE.COM	COWI CONSULTANTS 1000 W. 10TH ST. ST. LOUIS, MO 63103 (314) 241-1000 (314) 241-1001 WWW.CLOWVALVE.COM	COWI CONSULTANTS 1000 W. 10TH ST. ST. LOUIS, MO 63103 (314) 241-1000 (314) 241-1001 WWW.CLOWVALVE.COM	COWI CONSULTANTS 1000 W. 10TH ST. ST. LOUIS, MO 63103 (314) 241-1000 (314) 241-1001 WWW.CLOWVALVE.COM

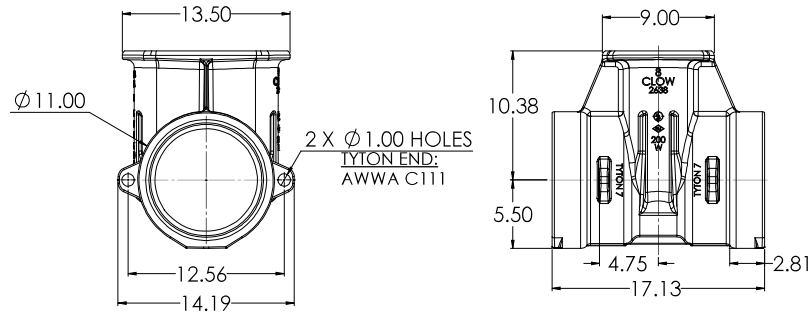
**08" C515 MJ X MJ**



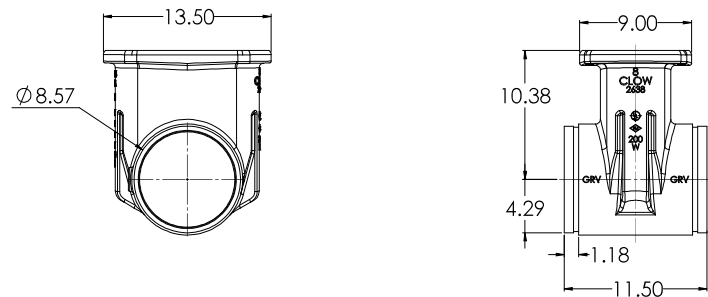
**08" C515 MJ X TAP**



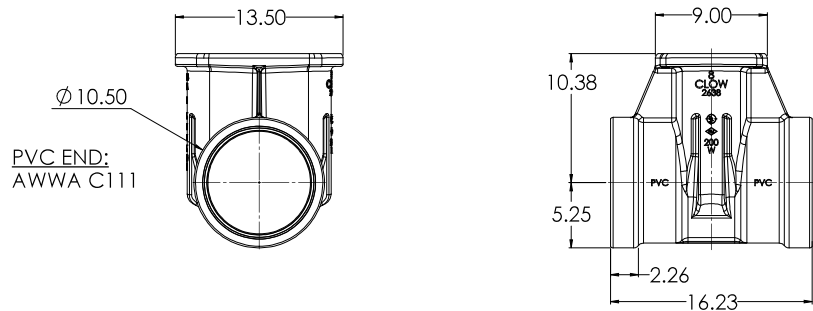
**08" C515 TYTON X TYTON**



**08" C515 GRVD X GRVD**

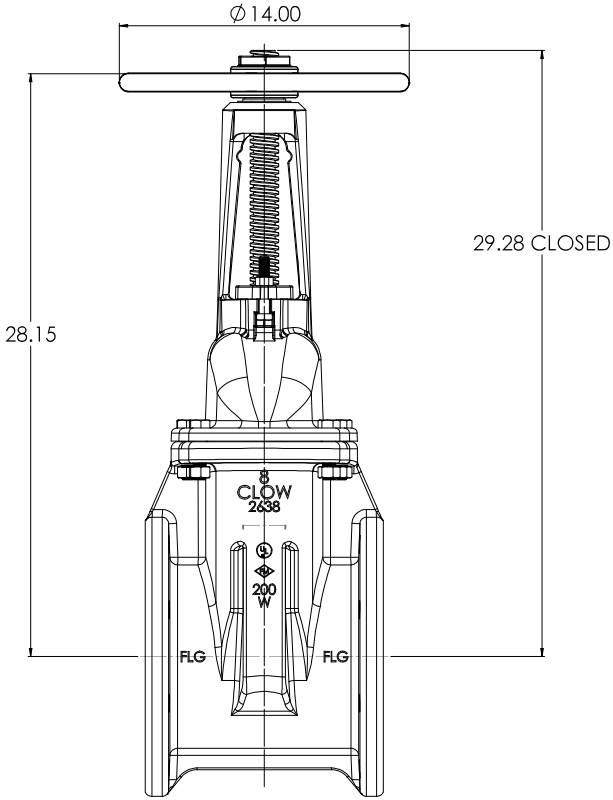
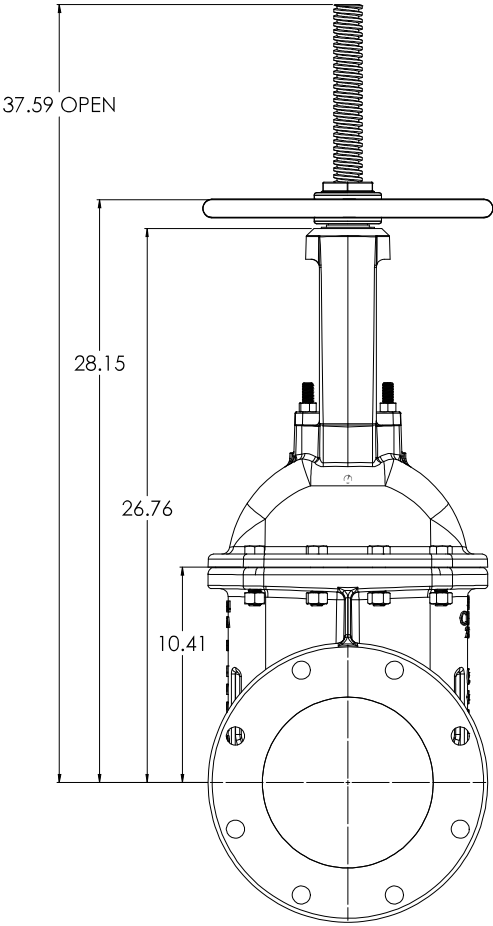


**08" C515 PVC X PVC**

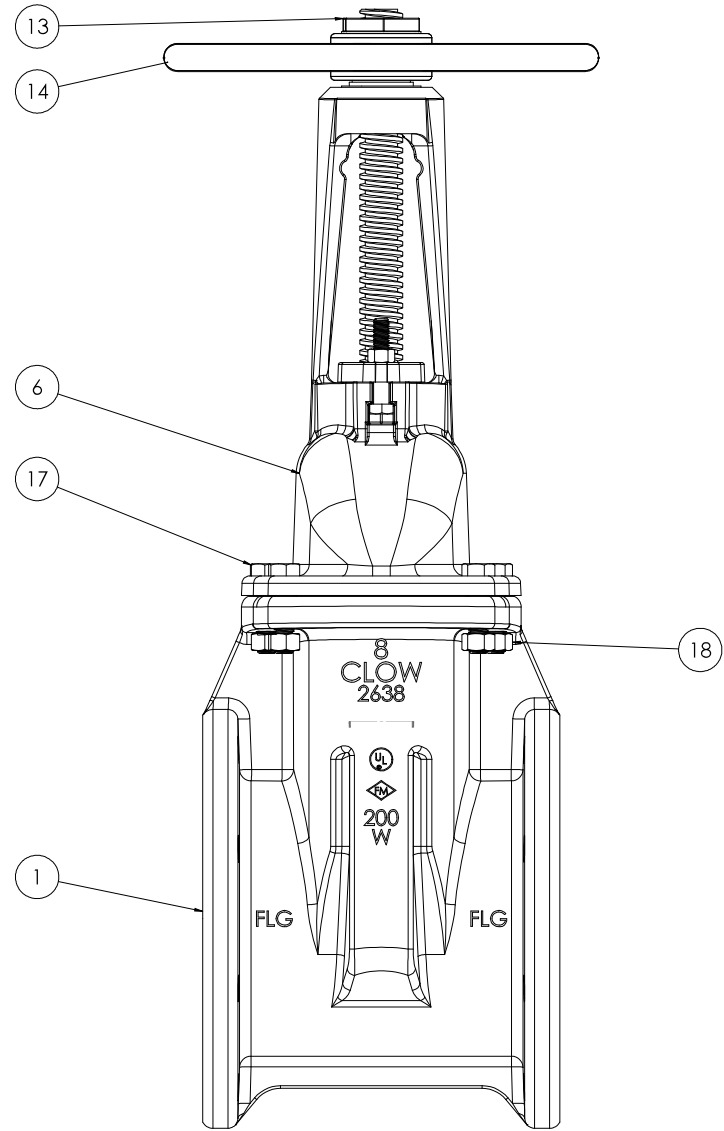
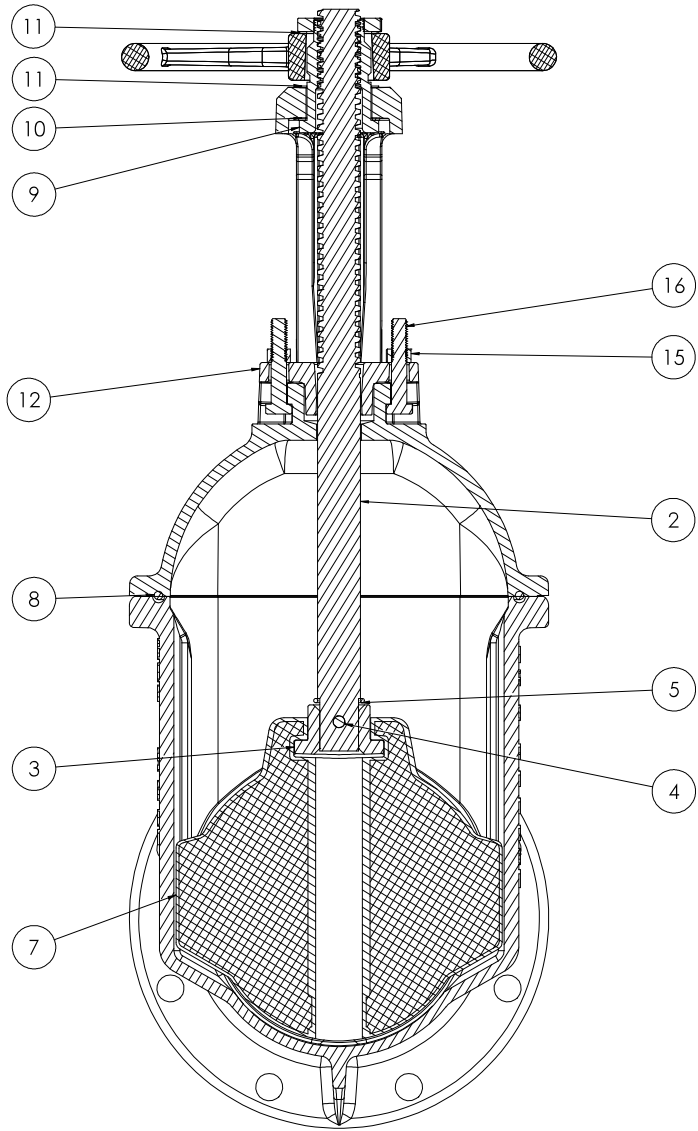


<b>CLW</b> CLW Valve Co.		08" C515 CS&Y RESILIENT WEDGE GATE VALVE		2 6
DATE: 12/2/2020 DWG NO: 12220200 REV: 1	PROJECT: 12220200	SCALE: 1:5	SHEET: 6	DRAWN BY: [Name]

**OS&Y WITH HANDWHEEL**



<b>CLW</b> CLW Valve Co.		08" CS15 OS&Y RESILIENT WEDGE GATE VALVE		3 6
DATE: 12/2/2020 DWG NO: 1272/2020 REV: 1	PROJECT: 1272/2020 SHEET: 6	SCALE: 1:5 MATERIAL: LBS	DRAWN BY: [Name] CHECKED BY: [Name]	APPROVED BY: [Name]



REV		DATE		BY		CHK		APP		DESC	
1											
2											
3											
4											
5											
6											
7											
8											
9											
10											
11											
12											
13											
14											
15											
16											
17											
18											
19											
20											
21											
22											
23											
24											
25											
26											
27											
28											
29											
30											
31											
32											
33											
34											
35											
36											
37											
38											
39											
40											
41											
42											
43											
44											
45											
46											
47											
48											
49											
50											
51											
52											
53											
54											
55											
56											
57											
58											
59											
60											
61											
62											
63											
64											
65											
66											
67											
68											
69											
70											
71											
72											
73											
74											
75											
76											
77											
78											
79											
80											
81											
82											
83											
84											
85											
86											
87											
88											
89											
90											
91											
92											
93											
94											
95											
96											
97											
98											
99											
100											

<u>ITEM NO.</u>	<u>COMPONENT</u>	<u>QTY.</u>	<u>SIZE</u>	<u>STANDARD MATERIAL</u>	<u>MATERIAL OPTIONS</u>
1	BODY	1	-	DUCTILE IRON	-
2	STEM	1	STEM	C65500	304 SS, 316 SS
3	STEM NUT	1	-	C87850	C87610, C87845, C89833, C99500
4	DRIVLOK PIN	1	3/8" X 2"	303 SS	-
5	O-RING	1	#220	EPDM	BUNA-N
6	COVER	1	-	DUCTILE IRON	-
7	WEDGE	1	-	EPDM/DUCTILE IRON	-
8	O-RING	1	#447	EPDM	BUNA-N
9	TOP STEM NUT	1	-	C86700	-
10	THRUST WASHER	1	-	C26000	-
11	THRUST WASHER	2	-	NYLATRON	-
12	GLAND	1	-	CAST IRON	-
13	HOLD DOWN NUT	1	-	C87850	C87610
14	HANDWHEEL	2	Ø 14"	DUCTILE IRON	-
15	HEX NUT	2	1/2"-13	18-8 SS	316 SS
16	HEX HEAD CAP SCREW	2	1/2"-13 X 2 3/4"	18-8 SS	316 SS
17	HEX HEAD CAP SCREW	8	5/8"-11 X 2 1/2"	18-8 SS	316 SS
18	HEX NUT	8	5/8"-11	18-8 SS	316 SS

- VALVES CONFORM WITH THE FOLLOWING STANDARDS
  - AWWA C509
  - NSF 61
- LOW ZINC BRASS STEM AND STEM NUT AVAILABLE
- 100% DOMESTIC FASTENERS AND ORINGS OPTIONS AVAILABLE
- *OPEN LEFT* (COUNTERCLOCKWISE) AND *OPEN RIGHT* (CLOCKWISE) OPTIONS AVAILABLE
- TURNS TO OPEN FROM FULLY CLOSED: 26
- AWWA MAXIMUM ALLOWABLE CLOSING TORQUE 150 FT-LBS

<small>         COMPANY: CLW          ADDRESS: 1222 S. 10TH ST.          WICHITA, KS 67202          PHONE: 316.262.1234          FAX: 316.262.1235          WWW.CLW.COM       </small>		<small>         PROJECT: 08" CS15 CS&amp;Y RESILIENT WEDGE GATE VALVE          DATE: 12/22/2020          DRAWN BY: CW          CHECKED BY: [ ]          SCALE: 1:5          SHEET NO: 5          TOTAL SHEETS: 6       </small>		<small>         PROJECT NO: A          SHEET NO: 5          TOTAL SHEETS: 6       </small>	
--	--	---	--	--	---