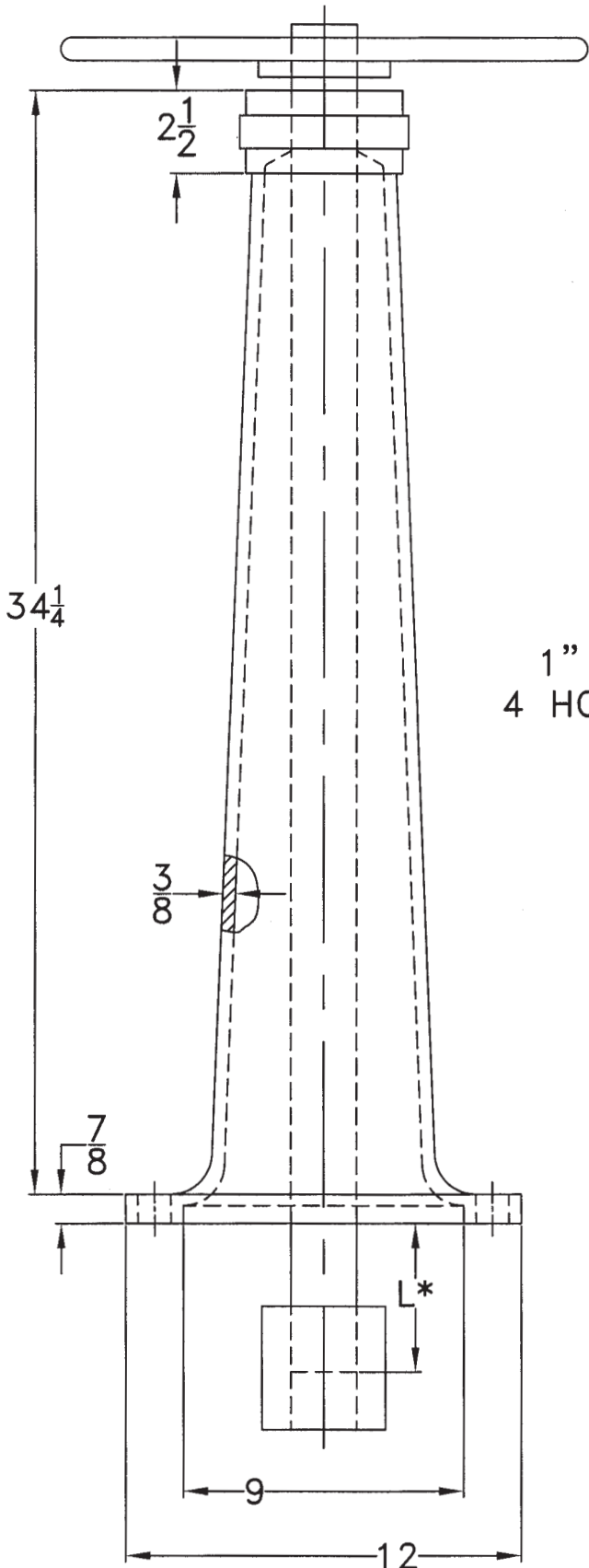


FLOOR STAND ASSEMBLY
W/HANDWHEEL OPERATOR

CLOW VALVE COMPANY



$L^* = 17''$

1" HOLE THRU
4 HOLES AT 90°

$10\frac{1}{4}$ DIA B.C.

CORED HOLE:
BORED AND BUSHED
TO STEM DIA

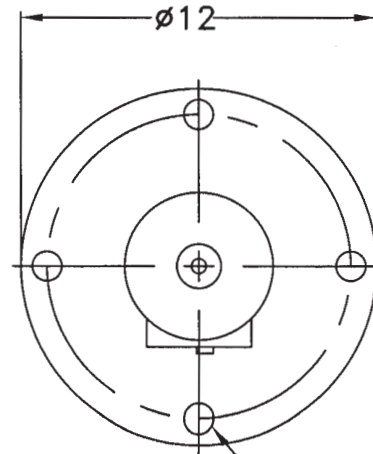
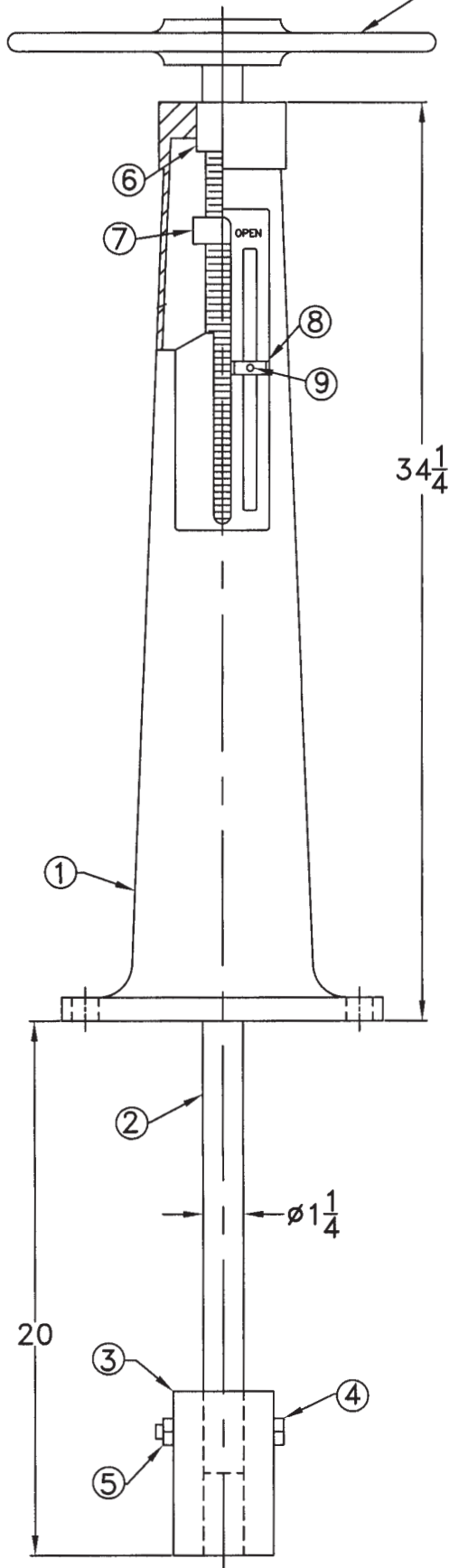
The F-5500-T Floor stand is for use on non-rising stem valves. Floor stands are of high strength cast iron and may be provided with extension stems of steel, stainless steel or bronze as specified.

NON-RISING
INDICATING FLOOR STAND

CLOW VALVE COMPANY

HANDWHEEL FURNISHED OR
2" SQ. NUT WHEN REQUESTED

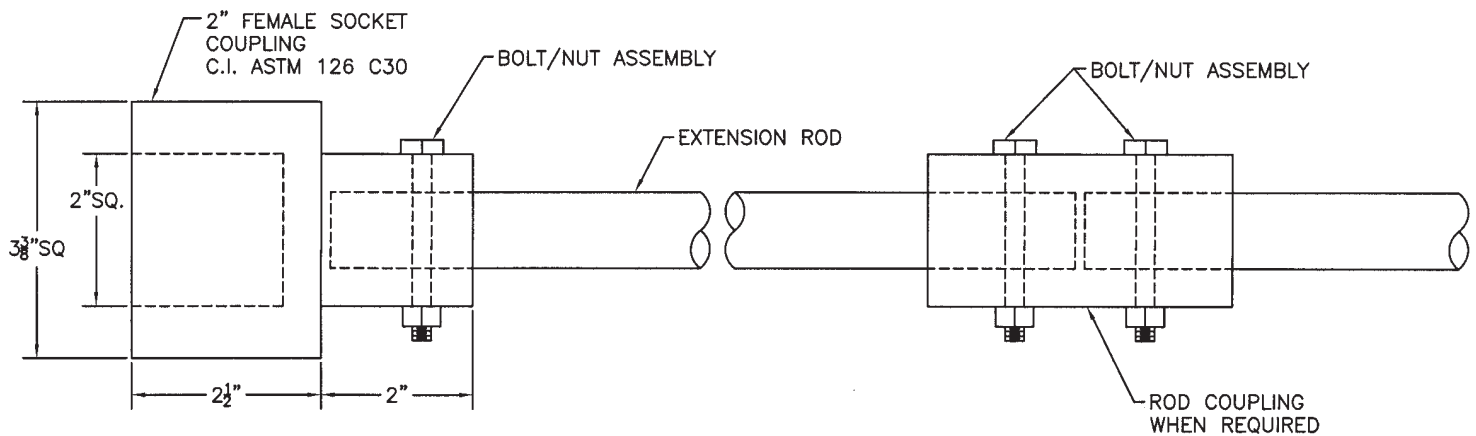
The F-5505-T indicating floor stand is for use on non-rising stem valves where open/close valve indication is needed. Floor stands are of high strength cast iron and may be provided with extension stems of steel, stainless steel or bronze as specified.



4- ϕ 1" HOLES ON
10 1/4" B.C.

ITEM	DESCRIPTION	REQ'D	MAT'L
1	FLOOR STAND	1	C.I.
2	STEM	1	ST'L
3	COUPLING	1	C.I.
4	BOLT	1	ST'L
5	NUT	1	ST'L
6	BUSHING	1	BRZ
7	INDICATOR NUT	1	BRZ
8	CLOSED TAG	1	ALUM
9	DRIVE SCREW	1	ST'L

EXTENSION STEM ASSEMBLY
2" SQ. SOCKET COUPLING
CLOW VALVE COMPANY



Extension Stems

Valve extension stems are available in steel, stainless steel, or bronze and are provided with a 2" square nut or handwheel as specified.

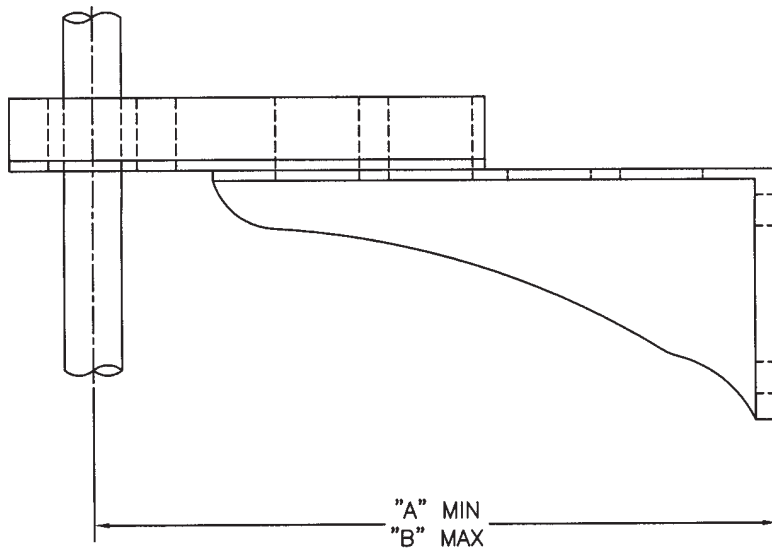
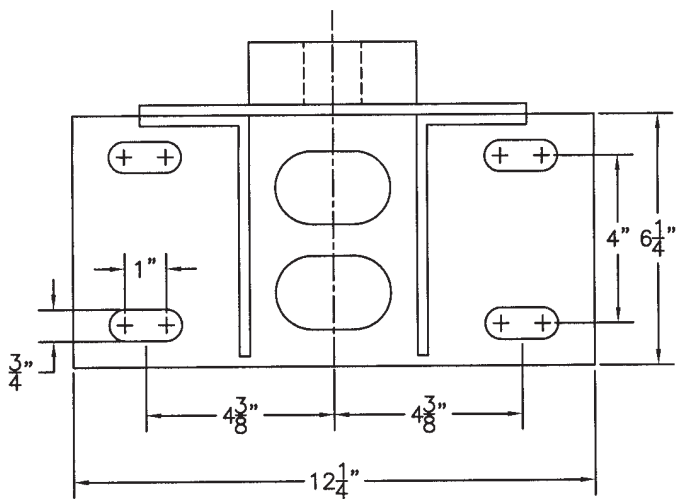
Extension stems are available for use with Mud valves, Gate valves, Butterfly valves, Eccentric plug valves, etc.

All components are jig drilled for interchangeability.

When ordering extension stem state length and give distance from bottom face of flange to top of handwheel or nut, or to base of floor stand.

SIZE 3, 5, & 6 - STEM GUIDE
GENERAL DIMENSIONS

CLOW VALVE COMPANY

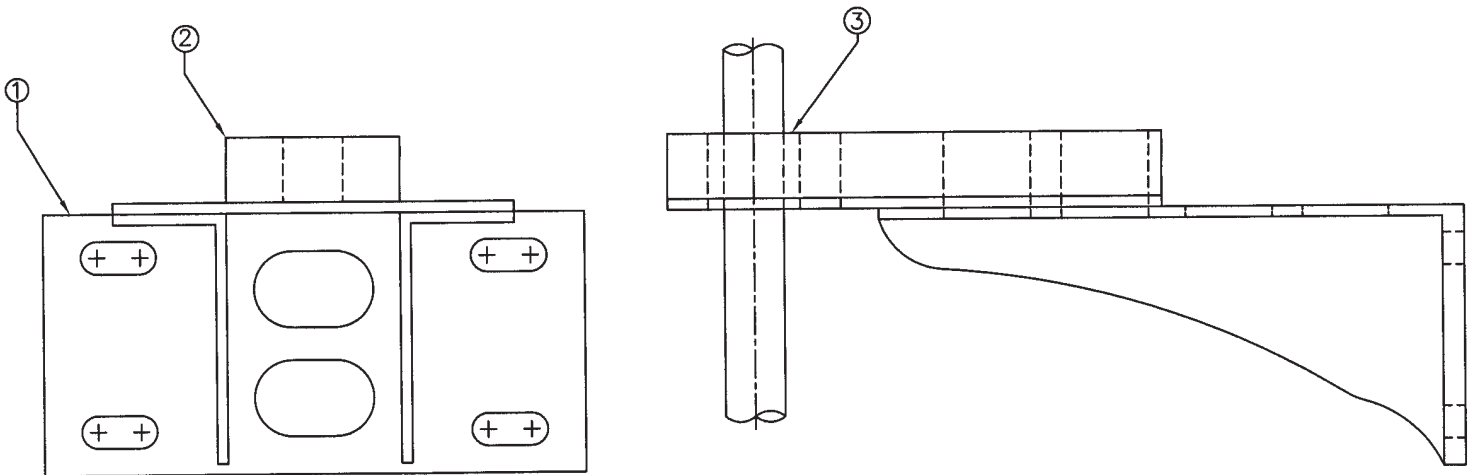


DIMENSIONS			
SIZE	3	5	6
A	$2\frac{1}{2}$	15	24
B	17	24	35

F-5660-T Stem Guides

Stem Guides are installed as wall brackets to support extension stems. They are fully adjustable and are made of high strength ductile iron. The guide is bronze bushed where the extension stem passes through. They should be installed at a height which does not permit the stem to be unsupported through a length of more than 10 feet.

Stem Guides are available in three sizes. When ordering state distance from center line of operating stem to face of wall, or give the size number as shown in table.



ITEM	DESCRIPTION	QTY.	MATERIAL
1	BRACKET	1	DUCTILE IRON 65.45.12 MIN.
2	GUIDE	1	DUCTILE IRON 65.45.12 MIN.
3	BUSHING	1	BRASS CDA 360
	ASSEMBLY BOLTS & NUTS	4 ea.	PLATED STEEL

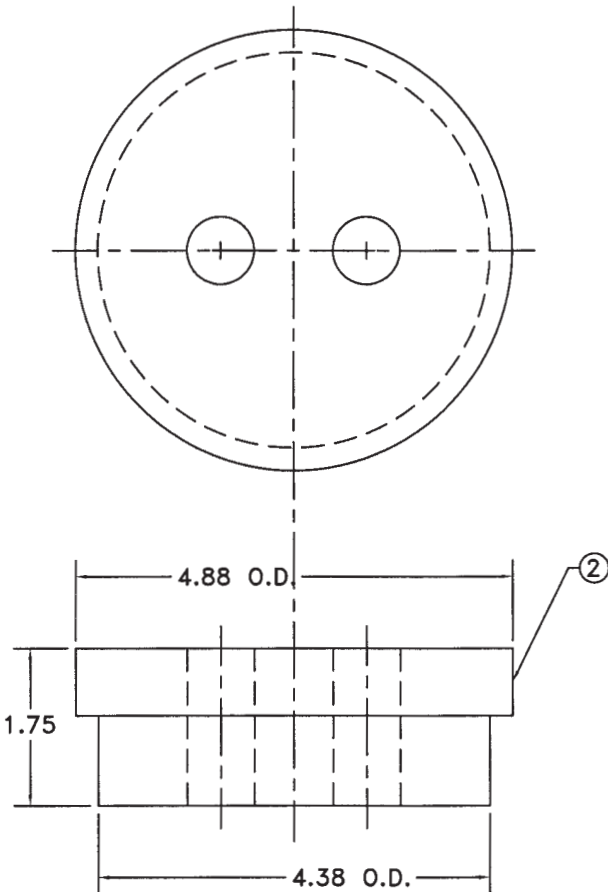
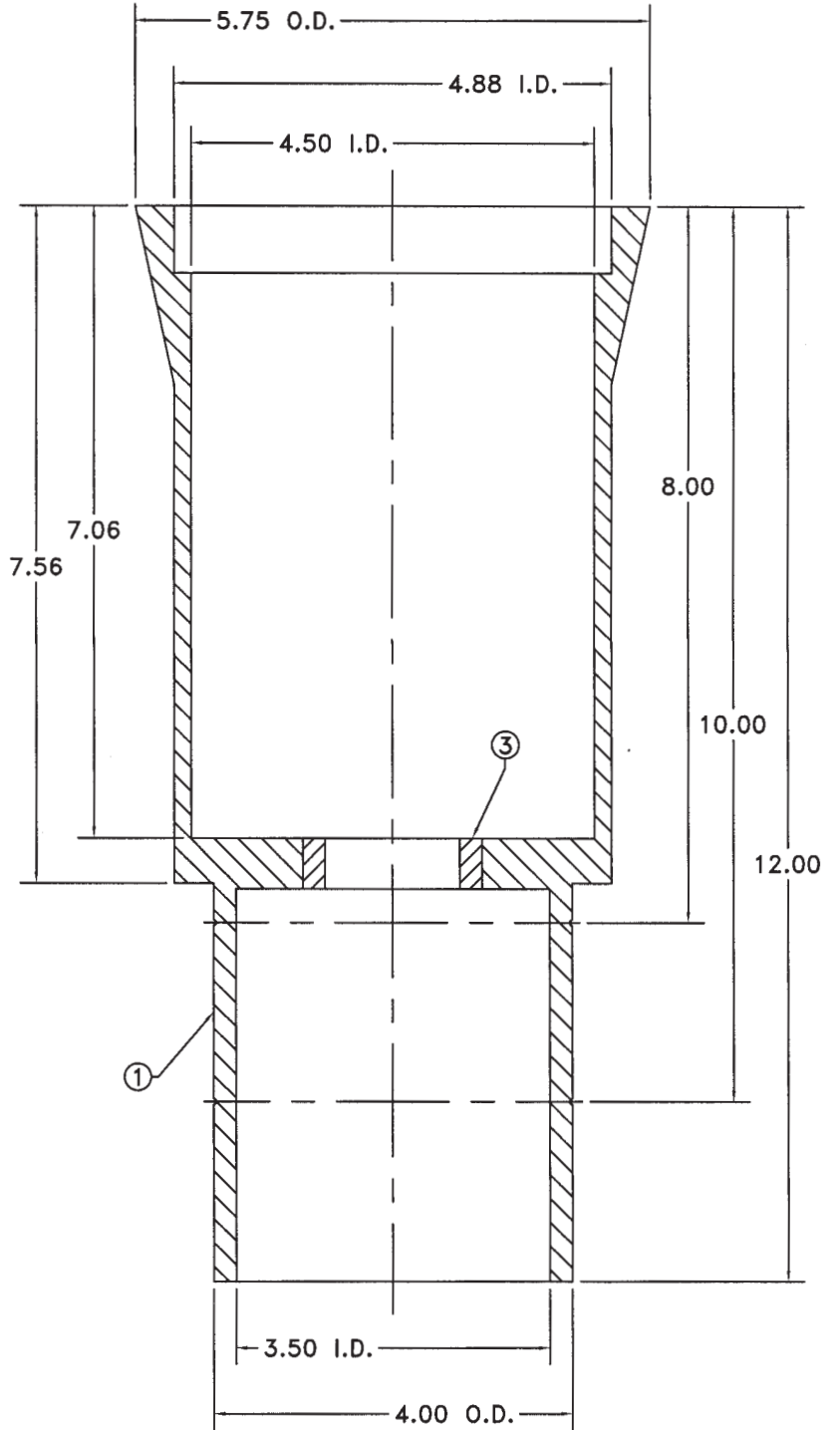
FLOOR BOX - PARTS LIST
AND DIMENSIONS

CLOW VALVE COMPANY

ITEM	DESCRIPTION	REQ'D	MATERIAL
1	BODY	1	CAST IRON A126B
2	COVER	1	CAST IRON A126B
3	BUSHING	1	BRASS CDA360

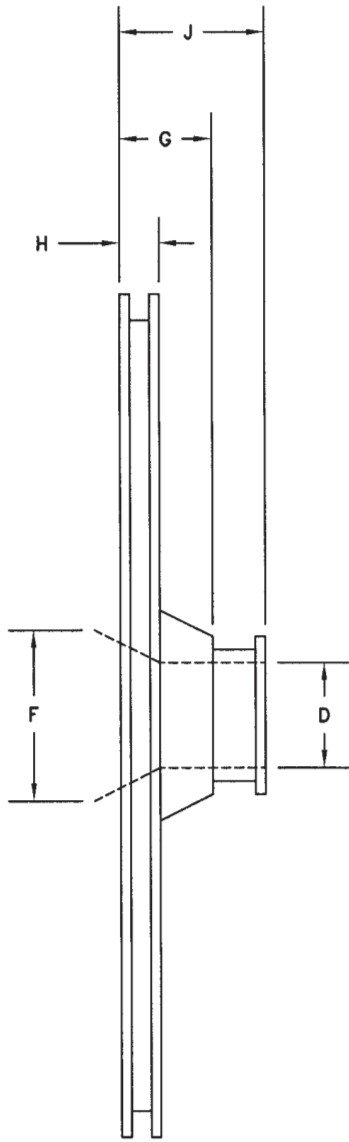
The F-5695-T Floor Box

Floor boxes are designed for use with non-rising stem valves. Installed in concrete floors or slabs they provide support for the extension stem and a cover for the operating nut on the stem. Available in 8", 10", and 12" lengths.

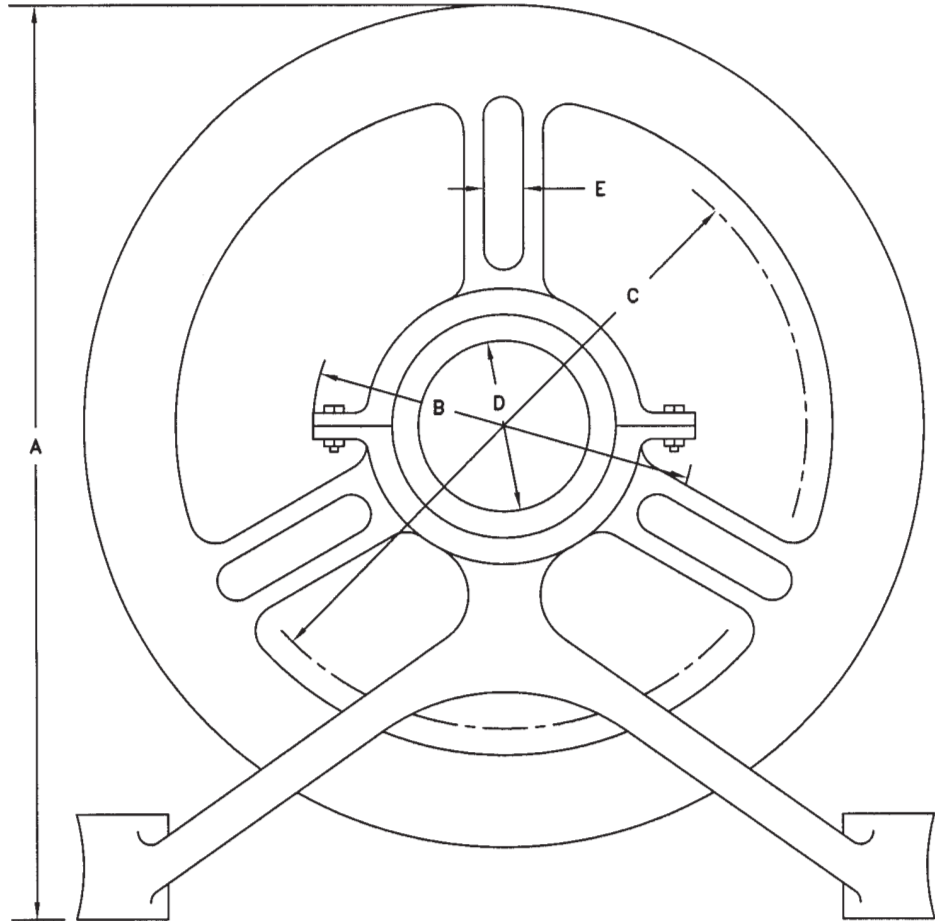


CHAIN WHEEL
DIMENSIONS

CLOW VALVE COMPANY



F-5680 Chain Wheels



Chain Wheels are normally used for operation of valves located overhead. They are provided with chain guides to prevent the chain from slipping off the wheel. Chains can be furnished rust proofed if specified. Chain Wheels are mounted directly on the handwheel, and are of approximately the same diameter.

Note: Furnished with Rust-Proof Lock Link Steel Chain

In ordering please state distance from floor to center line of wheel, or give the exact number of feet of chain required.

SPROCKET SIZE	1½	2	2½	3	3½	4	4½	5
A - Overall Height	8	10½	12½	15½	18½	21½	25¾	30
B - Inner Bolt Circle	3½	4½	5½	8½	12	12	16	19
C - Outer Bolt Circle	5	6⅝	9¼	12⅜	15½	18	22	25½
D - Hub Opening(dia.)	1	2⅞	2⅞	2⅞	3	3	3	3
E - Slot Size(width)	⅜	⅜	7/16	7/16	7/16	5/8	5/8	5/8
F - Rear Opening	1⅞	3⅞	3½	3½	4⅞	4⅞	4¾	4¾
G - Hub Depth (shoulder to rear)	1⅞	1⅞	1⅞	1⅞	1⅞	1⅞	1⅞	2
H - Rim Thickness	1⅞	1⅞	1¼	1¼	1¼	1½	1½	1⅞
J - Overall Depth	2⅞	2⅞	2⅞	2⅞	3⅞	3⅞	3⅞	3⅞

SPECIFICATIONS				
Size No.	Diameter of sprocket wheel in inches	Weight in lbs.	Diameter of valve wheels rim will fit	Chain weight per 100' in lbs.
1½	7½	5	6 to 7½	17½
2	9	8	7¾ to 9	17½
2½	12½	14	9¼ to 12½	30
3	15½	19	12¾ to 15½	30
3½	19	28	15¾ to 19	30
4	22	37	19¼ to 22	35
4½	26	47	22¼ to 26	35
5	30	58	26¼ to 30	35