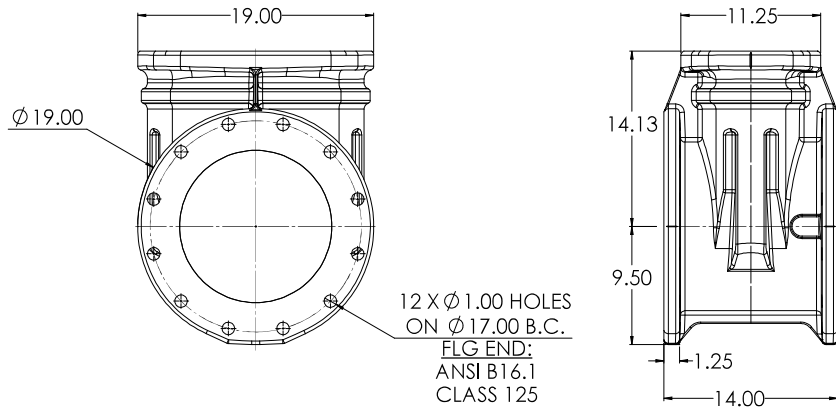
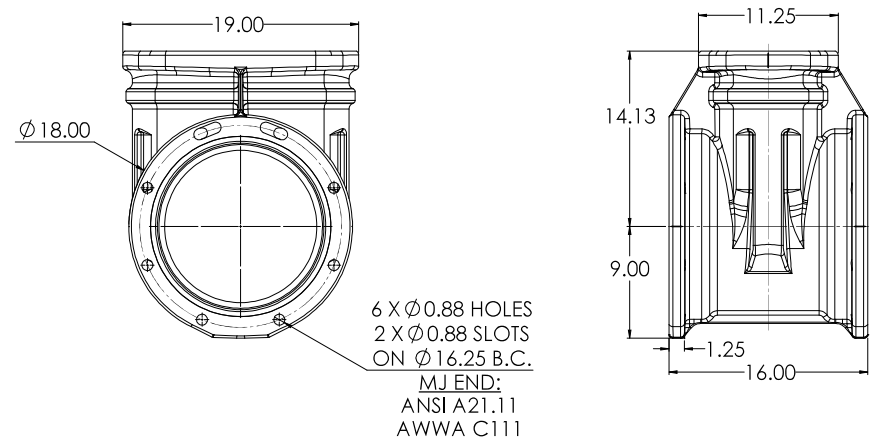


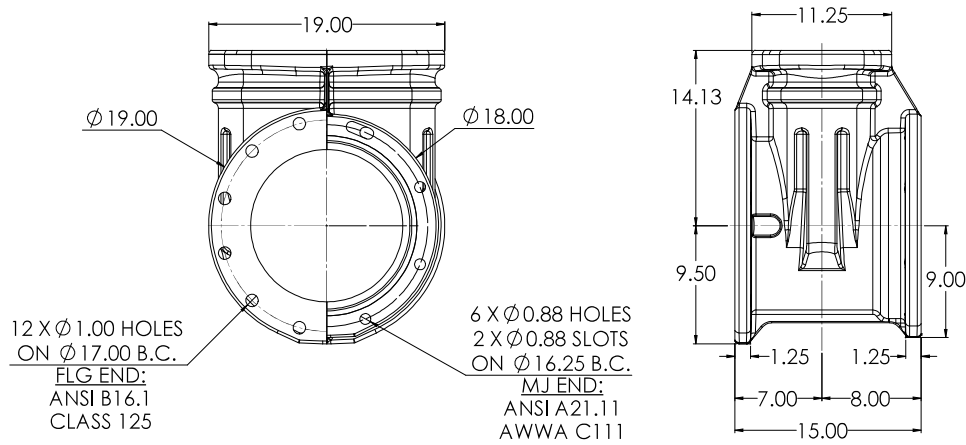
**12" C509 FLG X FLG**



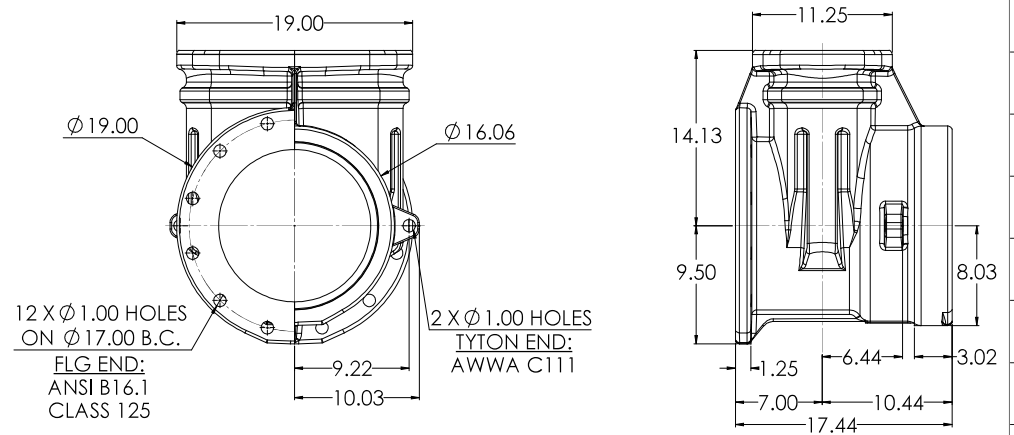
**12" C509 MJ X MJ**



**12" C509 FLG X MJ**

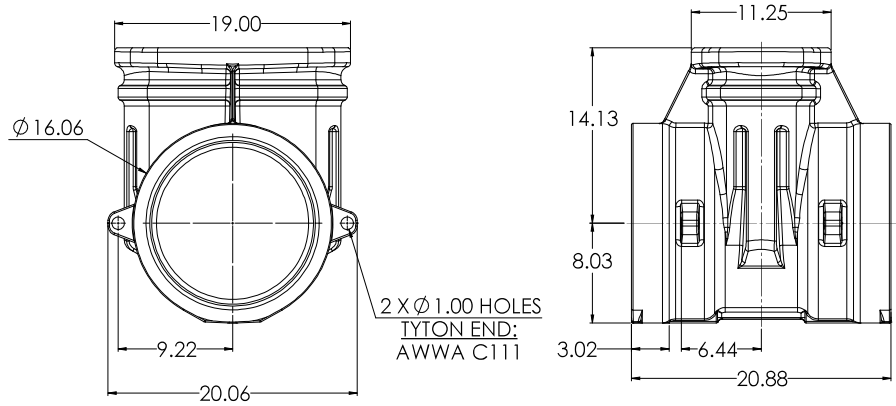


**12" C509 FLG X TYTON**



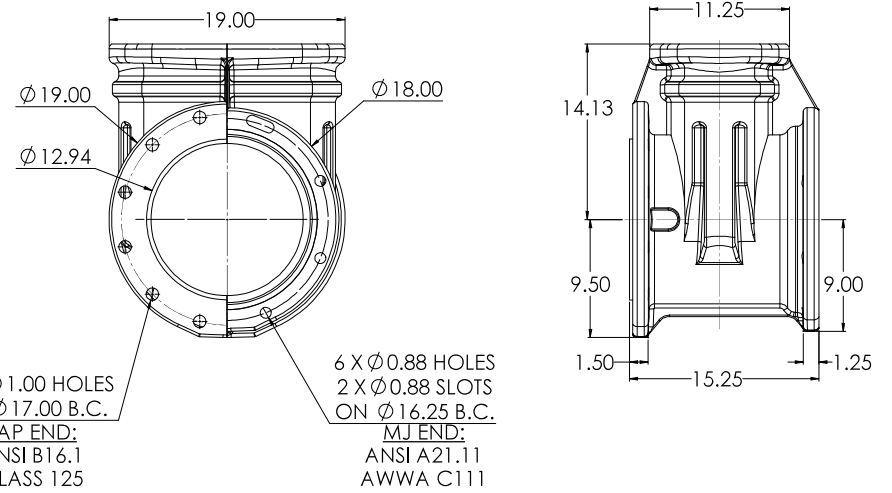
COMPANY: CLW ADDRESS: 1100 W. 11th St., Suite 100 Phone: 402.476.1100 Fax: 402.476.1101 Email: sales@clw.com	PROJECT: 12" C509 NRS RESILIENT WEDGE GATE VALVE DATE: 12/2/2020 DRAWN BY: CW	SHEET NO: 6 TOTAL SHEETS: 6 PROJECT NO: 2018 SP2	SCALE: 1:5 DRAWN BY: CW	CHECKED BY: [Signature] DATE: 12/2/2020	APPROVED BY: [Signature] DATE: 12/2/2020	PROJECT NO: 2018 SP2 SHEET NO: 6 TOTAL SHEETS: 6
--	---	--	----------------------------	--	---	--

**12" C509 TYTON X TYTON**



2 X  $\phi 1.00$  HOLES  
TYTON END:  
AWWA C111

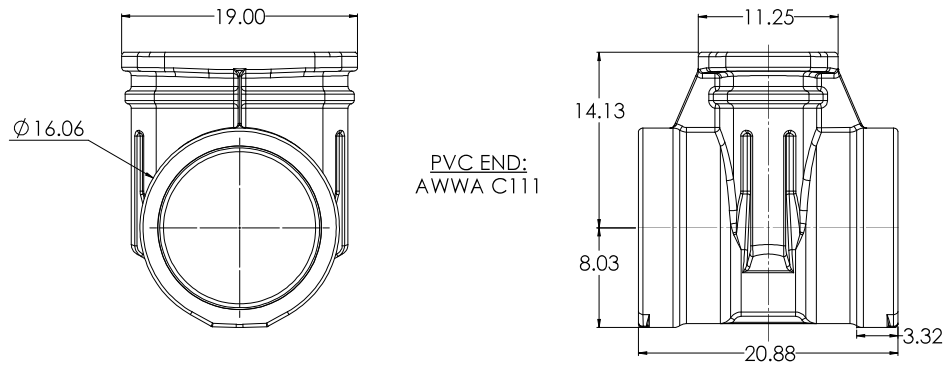
**12" C509 MJ X TAP**



12 X  $\phi 1.00$  HOLES  
ON  $\phi 17.00$  B.C.  
TAP END:  
ANSI B16.1  
CLASS 125

6 X  $\phi 0.88$  HOLES  
2 X  $\phi 0.88$  SLOTS  
ON  $\phi 16.25$  B.C.  
MJ END:  
ANSI A21.11  
AWWA C111

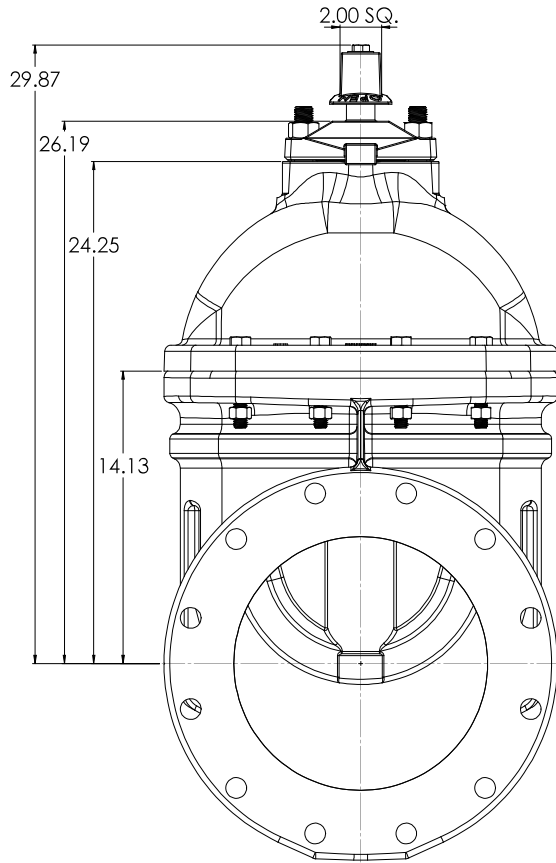
**12" C509 PVC X PVC**



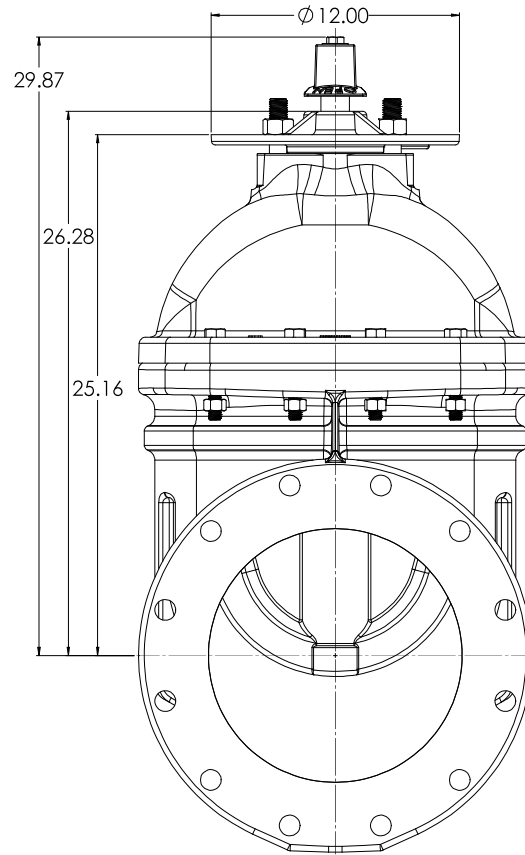
PVC END:  
AWWA C111

COMPANY: CLW ADDRESS: 12000 S. 120th St., Omaha, NE 68148 PHONE: (402) 426-1200 FAX: (402) 426-1201 WWW: www.clw.com		PROJECT: 12" C509 NRS RESILIENT WEDGE GATE VALVE DATE: 12/2/2020 DRAWN BY: CW		SHEET: 2 OF 6 SCALE: T:5 PROJECT NO: 2018 SP2		CLW 12/2/2020
--	--	---	--	---	--	------------------

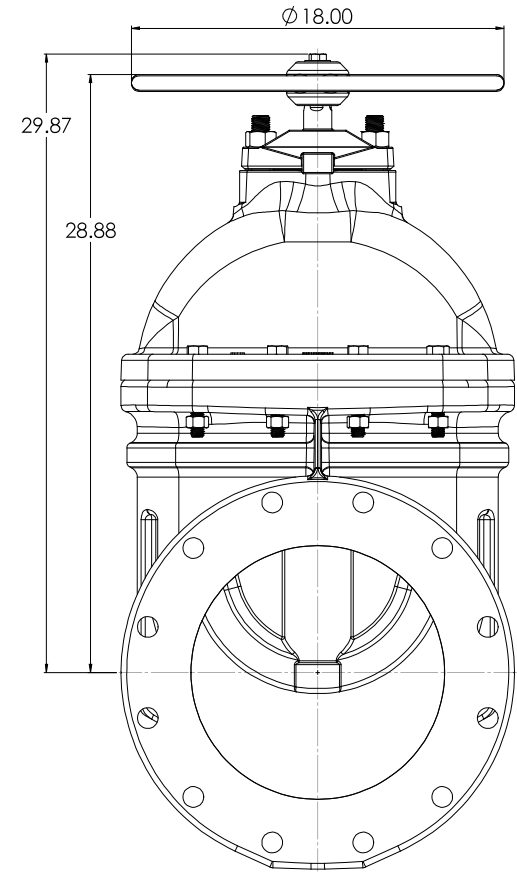
**OPERATING NUT WITH  
O-RING PLATE**



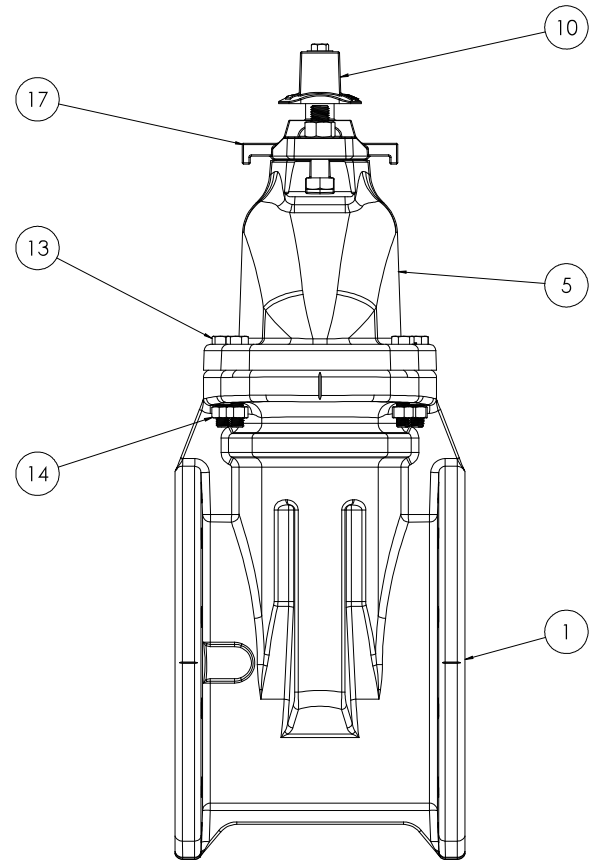
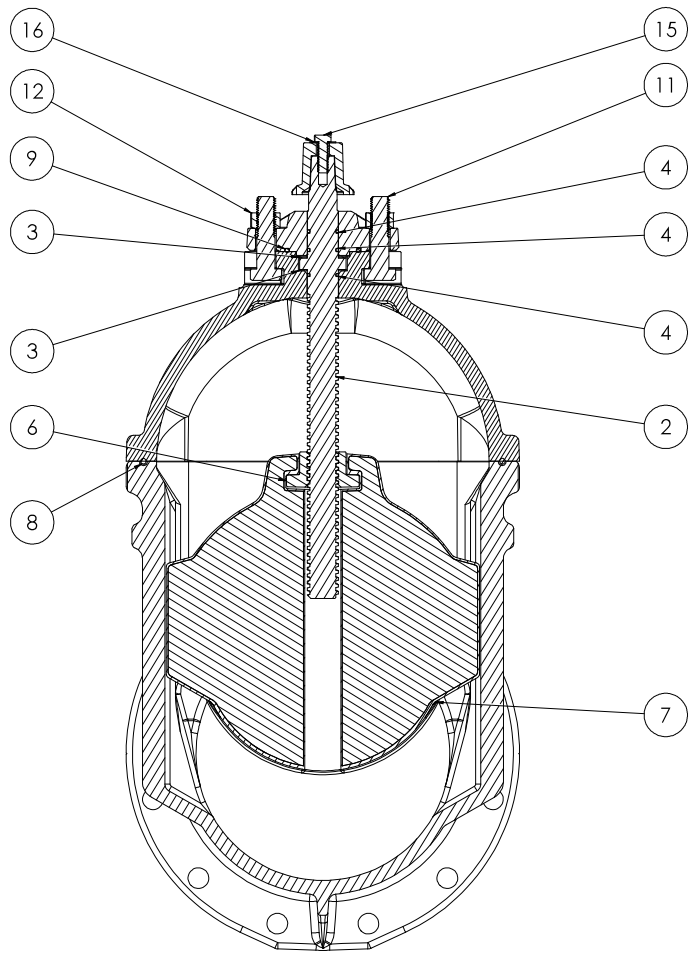
**OPERATING NUT WITH  
INDICATOR POST PLATE**



**HANDWHEEL WITH  
O-RING PLATE**



<b>REVISED</b> DATE: 12/20/2020 BY: CW		PROJECT: 12" C509 NRS RESILIENT WEDGE GATE VALVE LBS.	SHEET: 3 TOTAL: 6	<b>CLW</b> 12/20/2020
--	--	--	----------------------	--------------------------



<b>CLW</b> CLW Valve Co.		12" C509 NRS RESILIENT WEDGE GATE VALVE		4 6	<b>D</b>
DATE: 12/23/2020 DWG NO: 12232020 REV: 1	PROJECT: 12232020 DRAWING: 12232020 SHEET: 1	SCALE: 1:5 UNIT: LBS	MATERIAL: 316 SS WEIGHT: 100 LBS	MANUFACTURER: SolerWorks 2016 SP2	DRAWN BY: CW

<u>ITEM NO.</u>	<u>COMPONENT</u>	<u>QTY.</u>	<u>SIZE</u>	<u>STANDARD MATERIAL</u>	<u>MATERIAL OPTIONS</u>
1	BODY	1	-	CAST IRON	DUCTILE IRON
2	STEM	1	-	C86700	C99500 (LOW ZINC), 304 SS, 316 SS
3	THRUST WASHER	2	-	ACETAL	C26000
4	O-RING	3	#218	EPDM	BUNA-N
5	COVER	1	-	CAST IRON	DUCTILE IRON
6	STEM NUT	1	-	C87850	C99500 (LOW ZINC)
7	WEDGE	1	-	EPDM/DUCTILE IRON	-
8	O-RING	1	#455	EPDM	BUNA-N
9	O-RING	1	#339	EPDM	BUNA-N
10	OPERATING NUT	1	-	CAST IRON	C86700, DUCTILE IRON
11	HEX HEAD CAPSCREW	2	7/8"-9 X 3 1/2"	18-8 SS	316 SS
12	HEX NUT	2	7/8"-9	18-8 SS	316 SS
13	HEX HEAD CAPSCREW	8	5/8"-11 X 4"	18-8 SS	316 SS
14	HEX NUT	8	5/8"-11	18-8 SS	316 SS
15	HEX HEAD CAPSCREW	1	1/2"-13 X 1 1/2"	18-8 SS	316 SS
16	FLAT WASHER	1	1/2"	18-8 SS	316 SS
17	O-RING PLATE	1	-	CAST IRON	-

- VALVES CONFORM WITH THE FOLLOWING STANDARDS
  - AWWA C509
  - NSF 61
- LOW ZINC BRASS STEM AND STEM NUT AVAILABLE
- 100% DOMESTIC FASTENERS AND ORINGS OPTIONS AVAILABLE
- *OPEN LEFT* (COUNTERCLOCKWISE) AND *OPEN RIGHT* (CLOCKWISE) OPTIONS AVAILABLE
- TURNS TO OPEN FROM FULLY CLOSED: 32
- AWWA MAXIMUM ALLOWABLE CLOSING TORQUE 185 FT-LBS
- OPTIONAL HANDWHEEL CAN BE SUBSTITUTED FOR STANDARD 2" SQUARE OP. NUTS.
  - **\*\*NOTE: STANDARD HANDWHEEL SIZE LISTED OUT IN PARTS LIST.\*\***

<b>CLW</b> CONSTRUCTION LUBRICATION WORKS 1200 S. W. 10th St. Ft. Lauderdale, FL 33304 954-573-1000		<b>PROJECT</b> 12" C509 NRS RESILIENT WEDGE GATE VALVE		<b>DATE</b> 12/3/2020		<b>SCALE</b> T:5		<b>REV</b> 5 6		<b>DWG NO.</b> 2018 SPZ	
<b>DATE</b> 12/3/2020	<b>TIME</b> 1:00	<b>BY</b> CW	<b>CHKD BY</b> CW	<b>APPV BY</b> CW	<b>DATE</b> 12/3/2020	<b>TIME</b> 1:00	<b>BY</b> CW	<b>CHKD BY</b> CW	<b>APPV BY</b> CW	<b>DATE</b> 12/3/2020	<b>TIME</b> 1:00