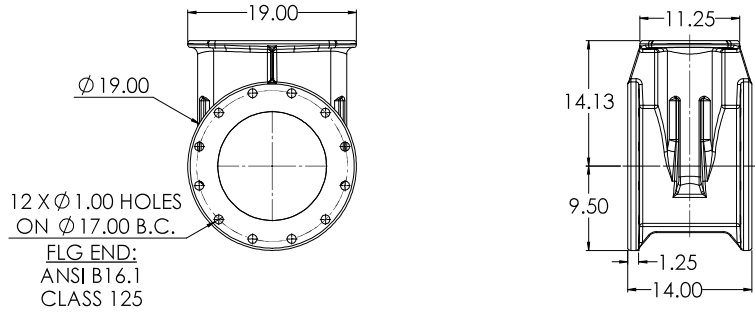
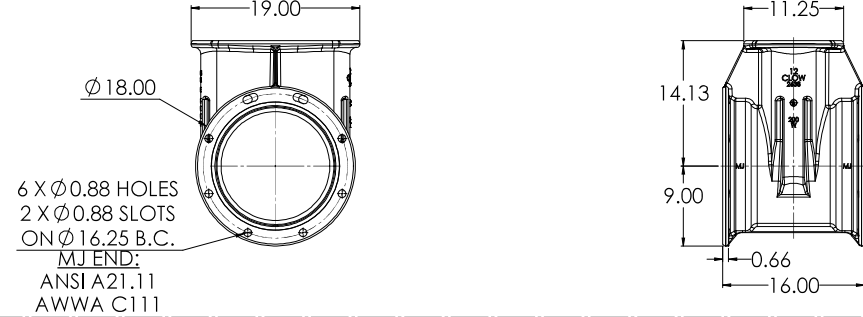


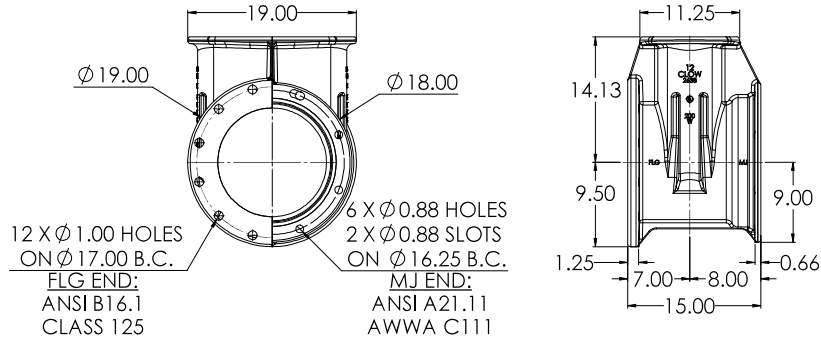
**12" C515 FLG X FLG**



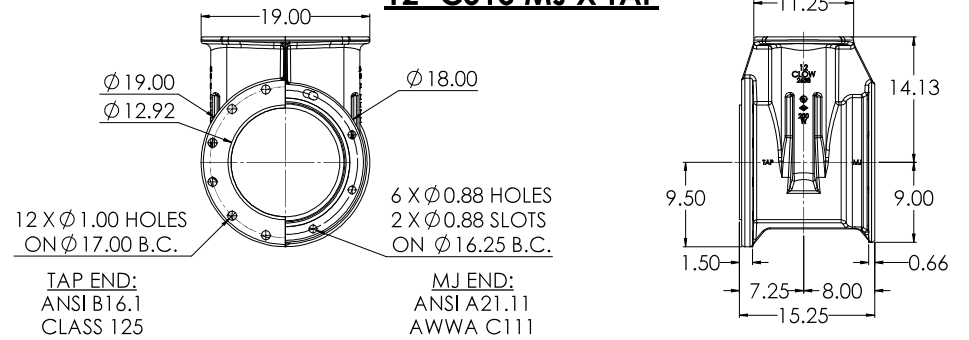
**12" C515 MJ X MJ**



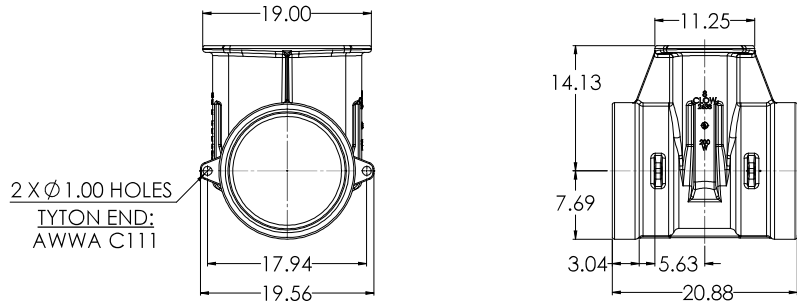
**12" C515 FLG X MJ**



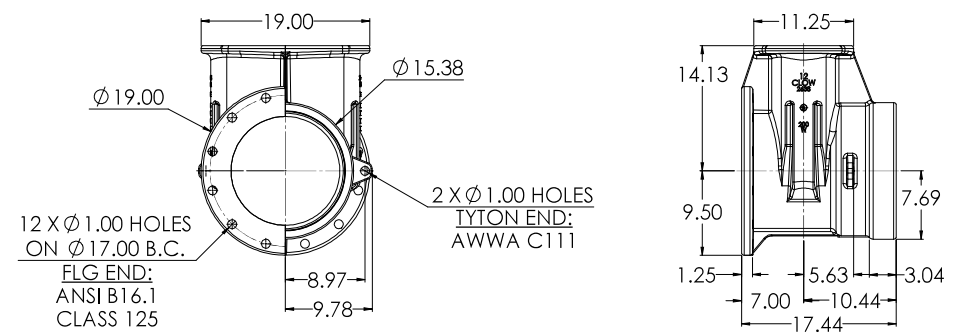
**12" C515 MJ X TAP**



**12" C515 TYTON X TYTON**

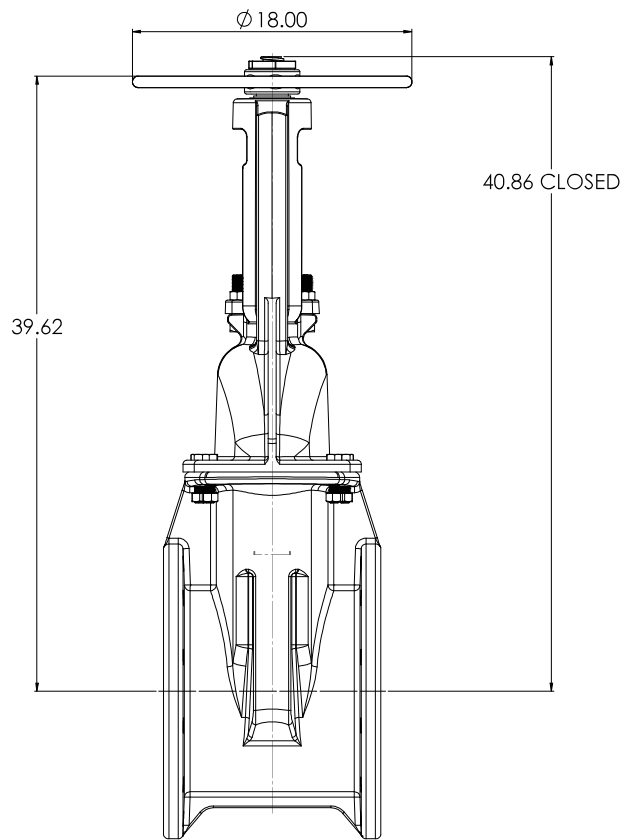
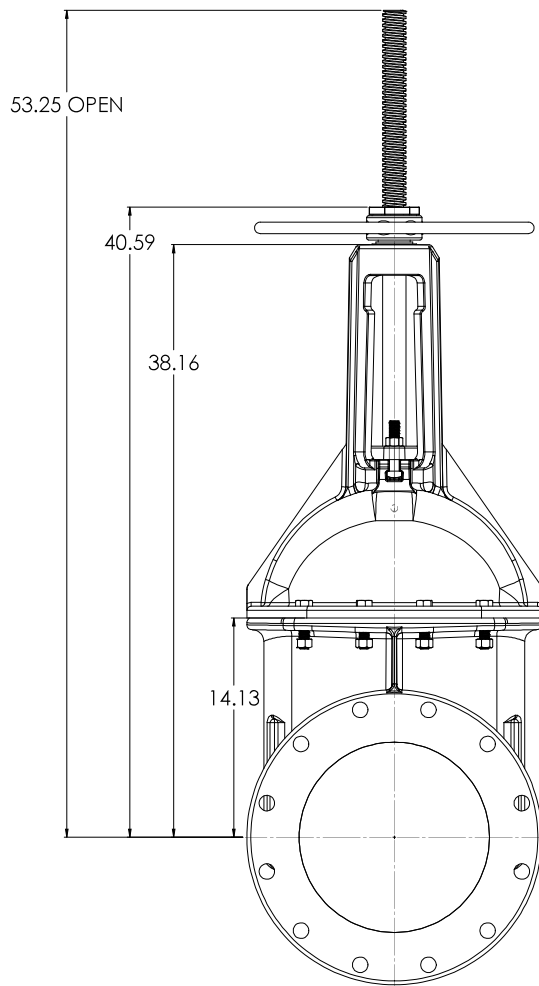


**12" C515 FLG X TYTON**

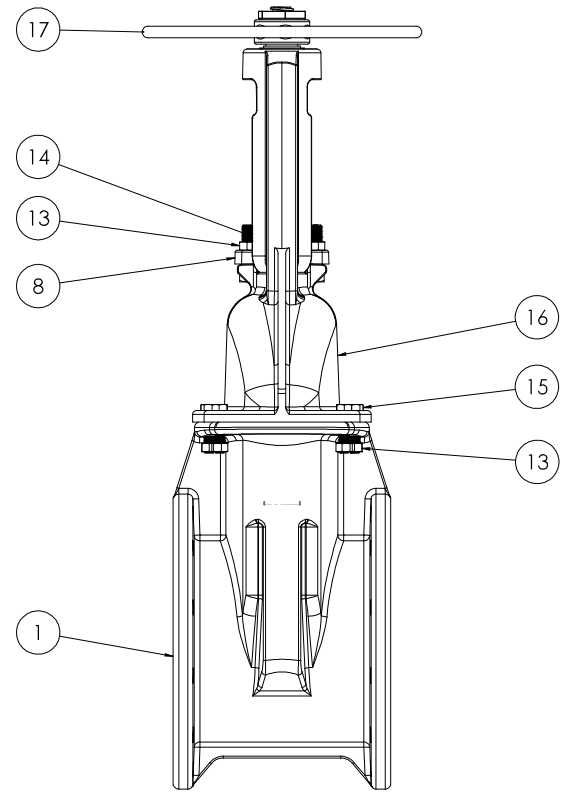
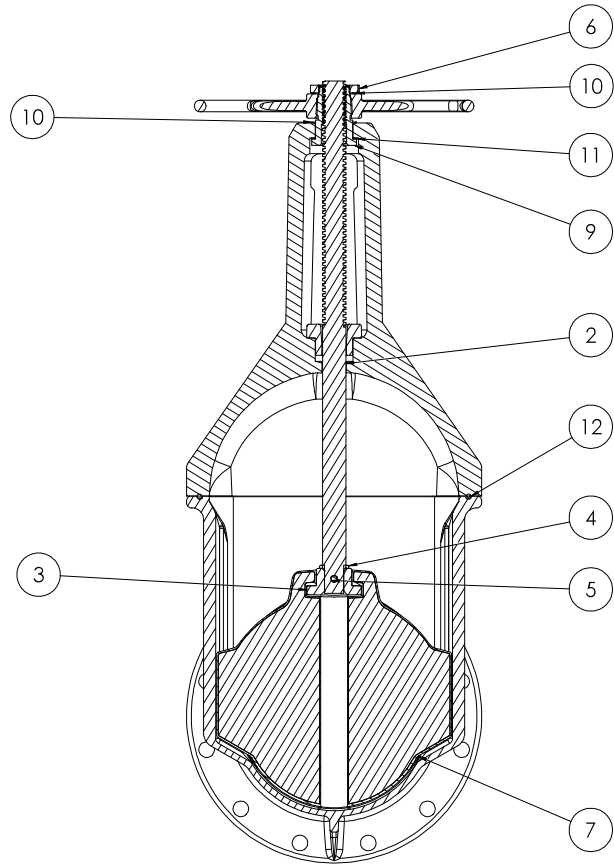


COMPANY: CLW ADDRESS: 12345 CITY: NEW YORK STATE: NY ZIP: 10001 PHONE: (212) 123-4567 FAX: (212) 123-4568 E-MAIL: info@clw.com	PROJECT: 12" C515 CS&Y RESILIENT WEDGE GATE VALVE DRAWING NO: 12345678 DATE: 12/31/2020 SCALE: 1:5 SHEET NO: 5 TOTAL SHEETS: 5	DESIGNED BY: J. SMITH CHECKED BY: M. JONES APPROVED BY: R. BROWN DATE: 12/31/2020	PROJECT NO: A DRAWING NO: 12345678 SHEET NO: 5 TOTAL SHEETS: 5
---	---	--	---

**OS&Y WITH HANDWHEEL**



COMPANY: <b>CLW</b> ADDRESS: 12345 Industrial Blvd. CITY: Houston, TX 77001 PHONE: 281-555-1234 FAX: 281-555-5678 WWW: www.clw.com		PROJECT: <b>12" CS15 OS&amp;Y RESILIENT WEDGE GATE VALVE</b> DRAWING NO: <b>LBS-GATE VALVE</b> SCALE: <b>T:10</b> DATE: <b>12/3/2020</b>		SHEET NO: <b>2</b> TOTAL SHEETS: <b>5</b> REVISION: <b>D</b>
DESIGNED BY: <b>AW</b> CHECKED BY: <b>AW</b> DATE: <b>12/3/2020</b>	APPROVED BY: <b>AW</b> DATE: <b>12/3/2020</b>	MATERIALS: <b>LBS</b> WEIGHT: <b>100</b> UNIT: <b>LB</b>	MANUFACTURED BY: <b>CLW</b> DATE: <b>12/3/2020</b>	DRAWN BY: <b>AW</b> DATE: <b>12/3/2020</b>



<b>CLW</b> CONSTRUCTION LUBRICATION WORKS		12' CS15 CS&Y RESILIENT WEDGE GATE VALVE		3	D
DATE: 12/20/2020	DRAWN BY: CW	CHECKED BY:	T:1:10	5	5
SCALE:	WEIGHT:	MATERIAL:	LBS:	3	5
PART NO:	QUANTITY:	UNIT:	TOTAL WEIGHT:	3	5
REV:	DATE:	BY:	CHECKED BY:	3	5
1	12/20/2020	CW	T:1:10	3	5

<u>ITEM NO.</u>	<u>COMPONENT</u>	<u>QTY.</u>	<u>SIZE</u>	<u>STANDARD MATERIAL</u>	<u>MATERIAL OPTIONS</u>
1	BODY	1	-	DUCTILE IRON	-
2	STEM	1	-	C65500	304 SS, 316 SS
3	STEM NUT	1	-	C87850	C87610 (LOW ZINC), C78745, C89833, C99500 (LOW ZINC)
4	O-RING	1	#325	EPDM	BUNA-N
5	DRIVLOK PIN	1	7/16"X2 1/4"	303 SS	-
6	HOLD DOWN NUT	1	-	C97950	C87610 (LOW ZINC)
7	WEDGE	1	-	EPDM/DUCTILE IRON	-
8	GLAND	1	-	CAST IRON	-
9	TOP STEM NUT	1	-	C86700	C99400 (LOW ZINC)
10	THRUST WASHER	2	-	C26000	-
11	THRUST WASHER	1	-	NYLATRON	-
12	O-RING	1	#455	EPDM	BUNA-N
13	HEX NUT	10	5/8"-11	18-8 SS	316 SS
14	SQUARE HEAD CAPSCREW	2	5/8"-11 X 3 1/4"	18-8 SS	316 SS
15	HEX HEAD CAPSCREW	8	5/8"-11 X 2 3/4"	18-8 SS	316 SS
16	COVER	1	-	DUCTILE IRON	-
17	HANDWHEEL	1	Ø 18"	DUCTILE IRON	-

- VALVES CONFORM WITH THE FOLLOWING STANDARDS
  - AWWA C515
  - NSF 61
- LOW ZINC BRASS STEM AND STEM NUT AVAILABLE
- 100% DOMESTIC FASTENERS AND ORINGS OPTIONS AVAILABLE
- *OPEN LEFT* (COUNTERCLOCKWISE) AND *OPEN RIGHT* (CLOCKWISE) OPTIONS AVAILABLE
- TURNS TO OPEN FROM FULLY CLOSED: 38
- AWWA MAXIMUM ALLOWABLE CLOSING TORQUE 200 FT-LBS

<small>CLW</small> <small>CLW</small>		<small>12" CS15 CS&amp;Y RESILIENT WEDGE GATE VALVE</small> <small>LBS.</small>	<small>4</small> <small>5</small>
<small>DATE</small> <small>REV</small> <small>APP</small> <small>CHK</small> <small>DATE</small>	<small>DATE</small> <small>REV</small> <small>APP</small> <small>CHK</small> <small>DATE</small>	<small>SCALE</small> <small>1:10</small>	<small>PROJECT NO.</small> <small>DATE</small> <small>SCALE</small>