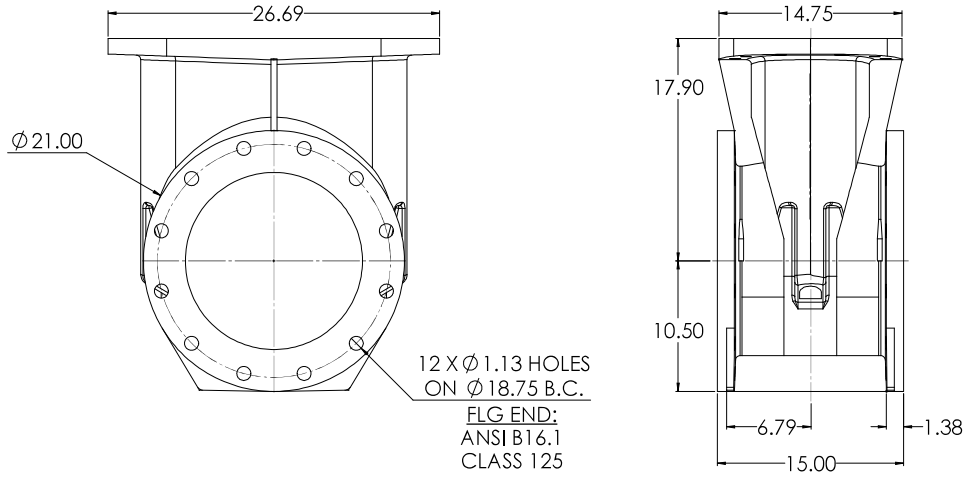
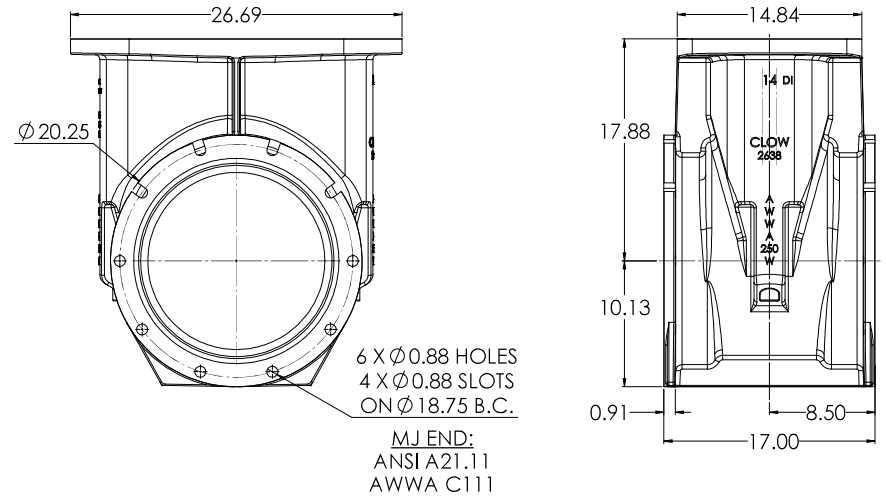


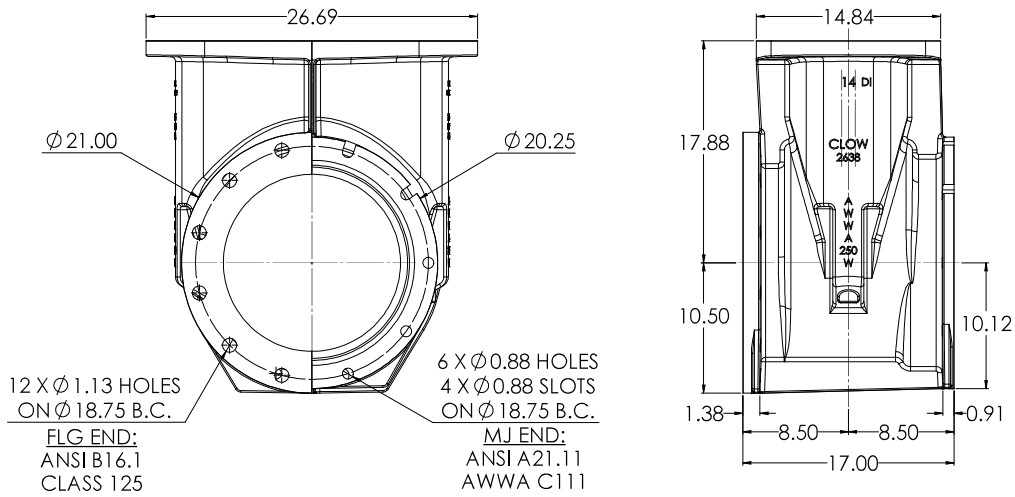
14" C515 FLG X FLG



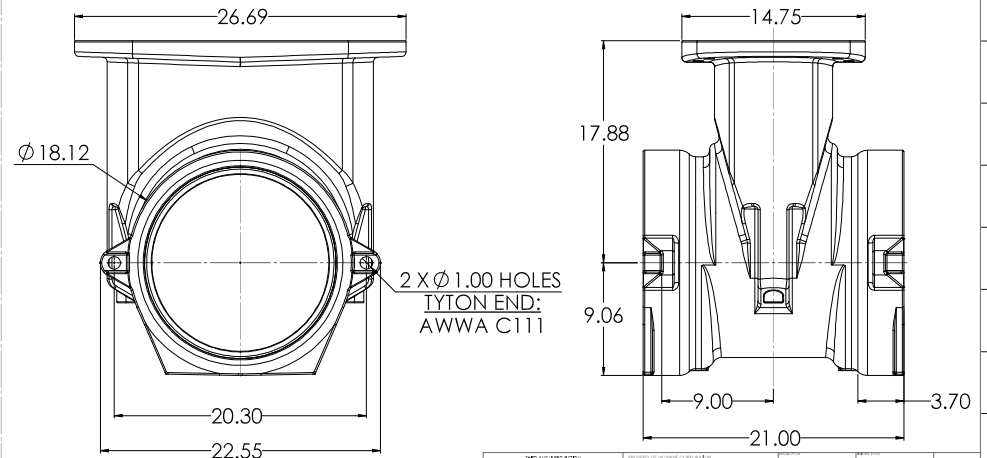
14" C515 MJ X MJ



14" C515 FLG X MJ

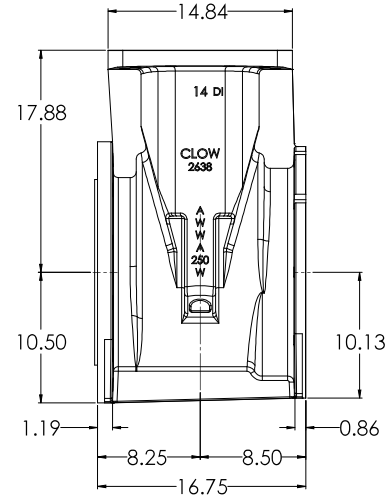
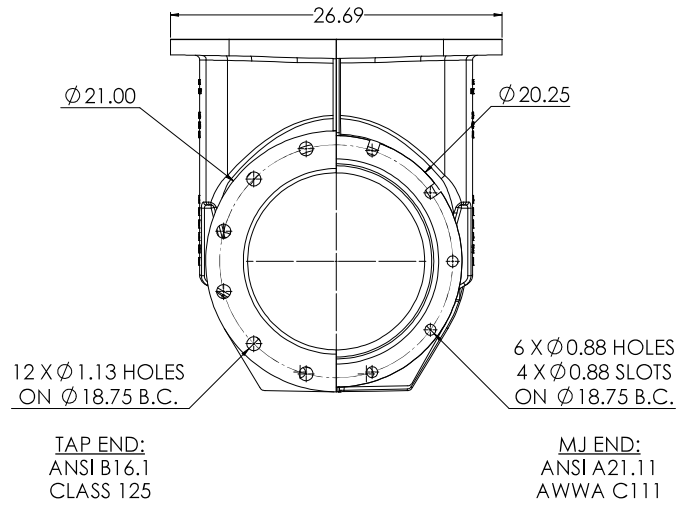


14" C515 TYTON X TYTON



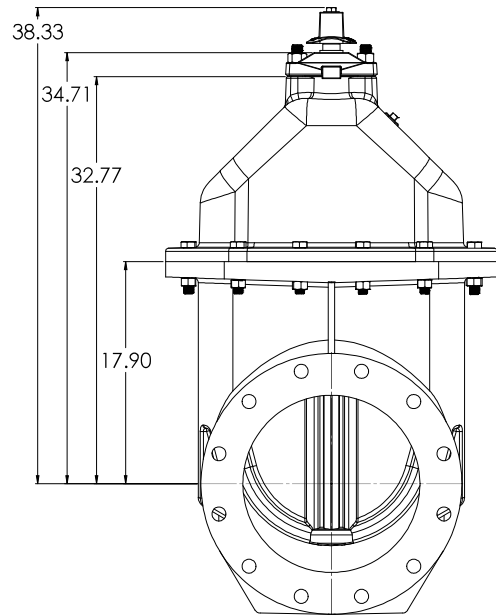
CLW CLAWSON VALVE CO.		14" C515 NRS RESILIENT WEDGE LBS. GATE VALVE		A
DATE: 12/29/2009 DWG NO: 12/29/2009 REV: 0 DESIGNED BY: [blank] CHECKED BY: [blank]	SCALE: 1:1 SHEET NO: 6 TOTAL SHEETS: 6	PROJECT NO: [blank] PROJECT NAME: [blank]	DRAWING NO: [blank] DRAWING NAME: [blank]	DRAWN BY: [blank] CHECKED BY: [blank]

14" C515 MJ X TAP

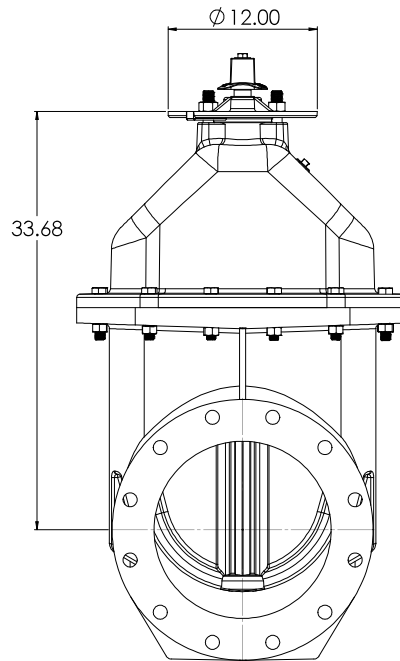


CLW CLW Valve Co.		14" C515 NRS RESILIENT WEDGE GATE VALVE		2 6	D
DATE: 12/3/2020 TIME: 10:00 AM DRAWN BY: CW	CHECKED BY: [Blank] APPROVED BY: [Blank]	PROJECT: [Blank] SHEET NO: [Blank]	SCALE: 1:5 MATERIAL: LBS	PART NO: [Blank]	REV: [Blank]

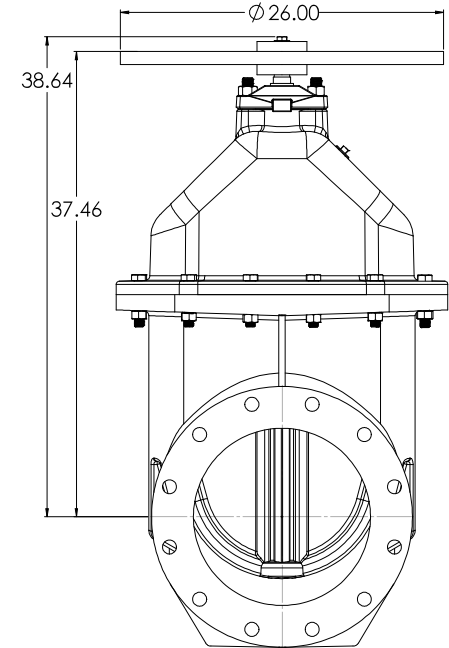
**OPERATING NUT WITH
O-RING PLATE**



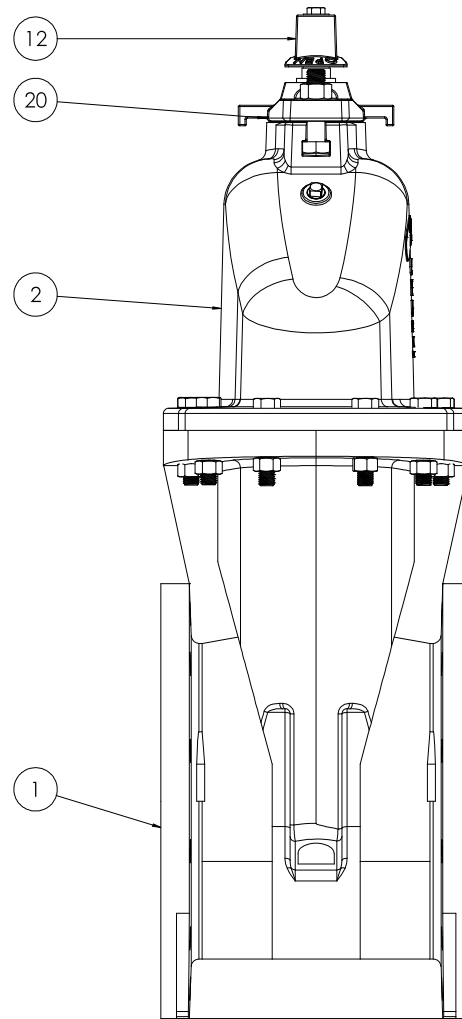
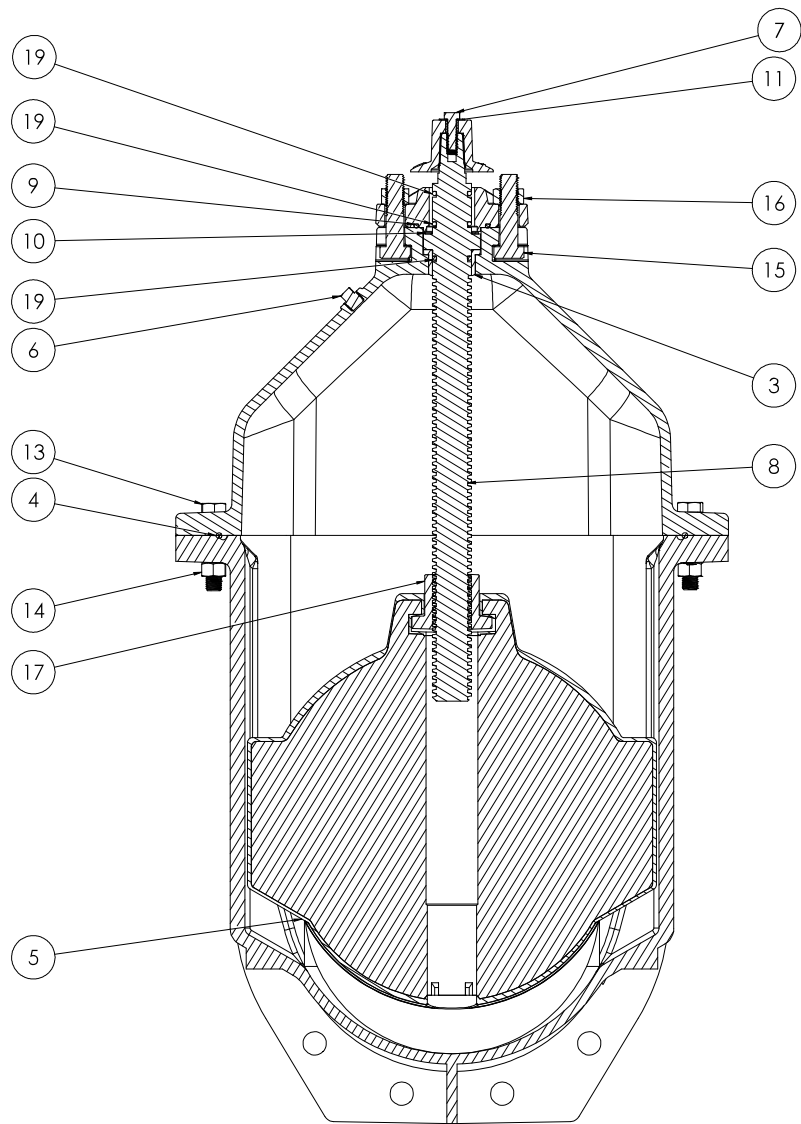
**OPERATING NUT WITH
INDICATOR POST PLATE**



**HANDWHEEL WITH
O-RING PLATE**



CLW <small>CONSTRUCTION LUBRICATION WORKS</small>		<small>14" CS18 NRS RESILIENT WEDGE GATE VALVE</small>		<small>REVISED</small> A	<small>PROJECT NO.</small> 3
<small>DATE</small> 12/20/2020	<small>BY</small> CW	<small>SCALE</small> T:10	<small>WEIGHT</small> LBS.	<small>REVISED</small> 6	<small>PROJECT NO.</small> D



CLW CLW Valve Co.		14" CS18 NRS RESILIENT WEDGE GATE VALVE		4 D
DATE: 12/13/2009 DWG NO: 21007 REV: 1 DESIGNED BY: CW CHECKED BY:	PART NO: 21007 QTY: 1 UNIT: 100%	DRAWN BY: CW DATE: 12/13/2009	SCALE: 1:10 MATERIAL: CS18 NRS	PROJECT NO: 2016 SPZ

<u>ITEM NO.</u>	<u>COMPONENT</u>	<u>QTY.</u>	<u>SIZE</u>	<u>STANDARD MATERIAL</u>	<u>MATERIAL OPTIONS</u>
1	BODY	1	-	DUCTILE IRON	-
2	COVER	1	-	DUCTILE IRON	-
3	COVER BUSHING	1	-	C87850	-
4	O-RING	1	#463	EPDM	BUNA-N
5	WEDGE	1	-	EPDM/DUCTILE IRON	-
6	PIPE PLUG	1	1/2" - NPT	304 SS	BRASS, 316 SS, STEEL
7	HEX HEAD CAPSCREW	1	1/2"-13 X 1 1/2"	18-8 SS	316 SS
8	STEM	1	1 7/8"	C86700	C99500 (LOW ZINC), 304 SS, 316 SS
9	O-RING	1	#339	EPDM	BUNA-N
10	THRUST WASHER	1	-	NYLATRON	-
11	WASHER	1	1/2"	18-8 SS	316 SS
12	OPERATING NUT	1	-	CAST IRON	DUCTILE IRON, C86700
13	HEX HEAD CAPSCREW	12	3/4"-10 X 3 3/4"	18-8 SS	316 SS
14	HEX NUT	12	3/4"-10	18-8 SS	316 SS
15	HEX HEAD CAPSCREW	2	7/8"-9 X 3 1/2"	18-8 SS	316 SS
16	HEX NUT	2	7/8"-9	18-8 SS	316 SS
17	STEM NUT	1	-	C87850	C99500 (LOW ZINC)
18	O-RING PLATE	1	-	DUCTILE IRON	-
19	O-RING	3	#325	EPDM	BUNA-N
20	O-RING PLATE	1	-	DUCTILE IRON	-

- VALVES CONFORM WITH THE FOLLOWING STANDARDS
 - AWWA C515
 - NSF 61
- LOW ZINC BRASS STEM AND STEM NUT AVAILABLE
- 100% DOMESTIC FASTENERS AND ORINGS OPTIONS AVAILABLE
- *OPEN LEFT* (COUNTERCLOCKWISE) AND *OPEN RIGHT* (CLOCKWISE) OPTIONS AVAILABLE
- TURNS TO OPEN FROM FULLY CLOSED: 52
- AWWA MAXIMUM ALLOWABLE CLOSING TORQUE 250 FT-LBS
- OPTIONAL HANDWHEEL CAN BE SUBSTITUTED FOR STANDARD 2" SQUARE OP. NUTS.
 - ****NOTE: STANDARD HANDWHEEL SIZE LISTED OUT IN PARTS LIST.****

COMPANY: CLW ADDRESS: 1100 W. 12TH ST., SUITE 100 DENVER, CO 80202 PHONE: (303) 733-1100 FAX: (303) 733-1101 WWW: WWW.CLW.COM		PROJECT: 14" CS16 NRS RESILIENT WEDGE GATE VALVE LBS. T:10 DATE: 12/20/2020 DRAWN BY: T:10 CHECKED BY:		SHEET NO. 5 TOTAL SHEETS 6 PROJECT NO. D
--	--	--	--	--