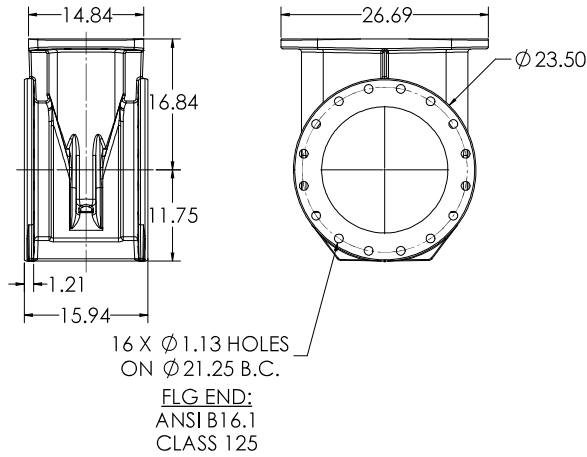
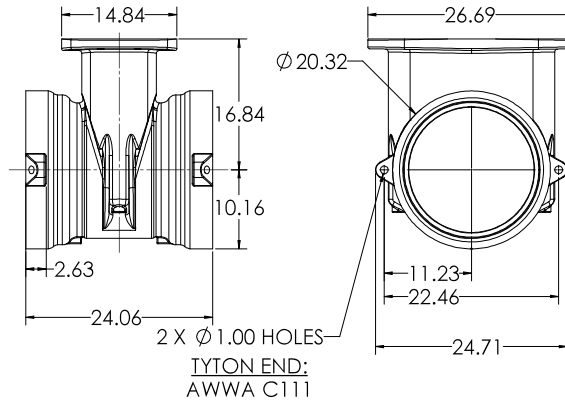


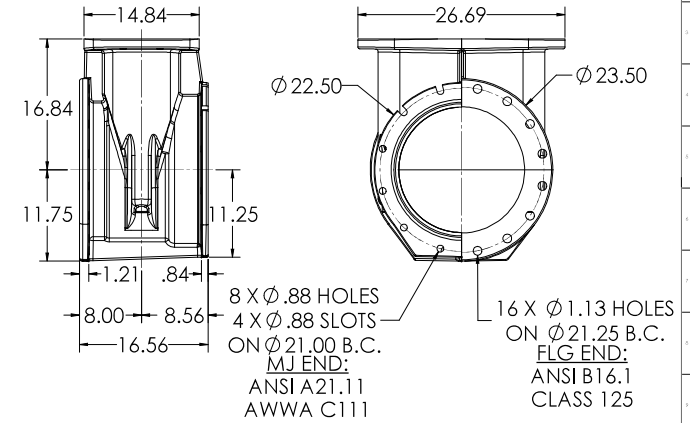
**16" C515 FLG X FLG**



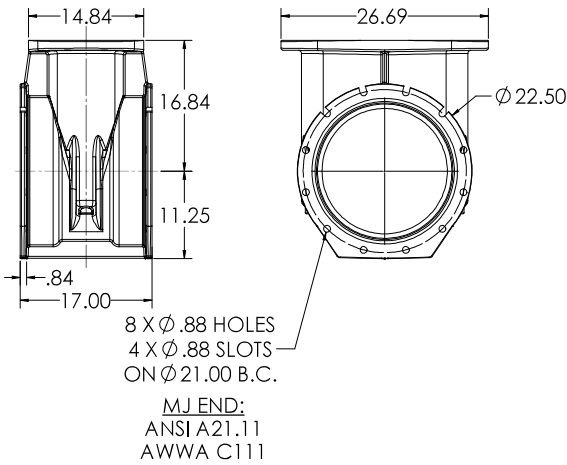
**16" C515 TYTON X TYTON**



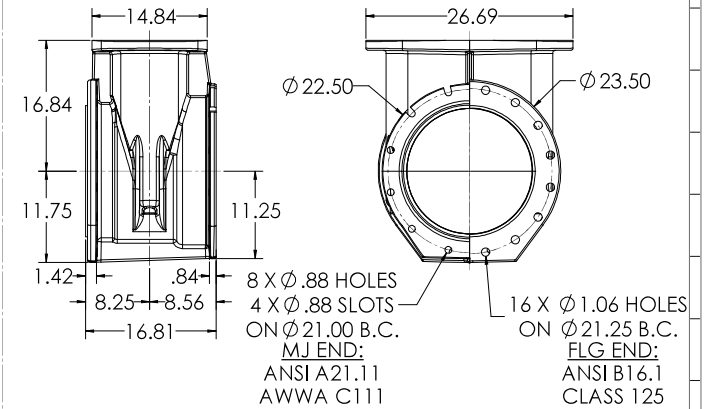
**16" C515 MJ X FLG**



**16" C515 MJ X MJ**

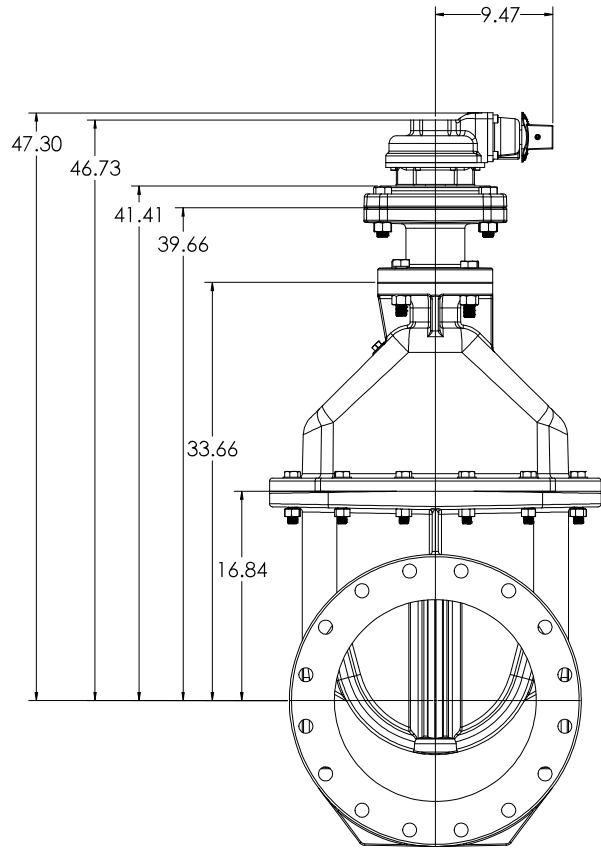


**16" C515 MJ X TAP**

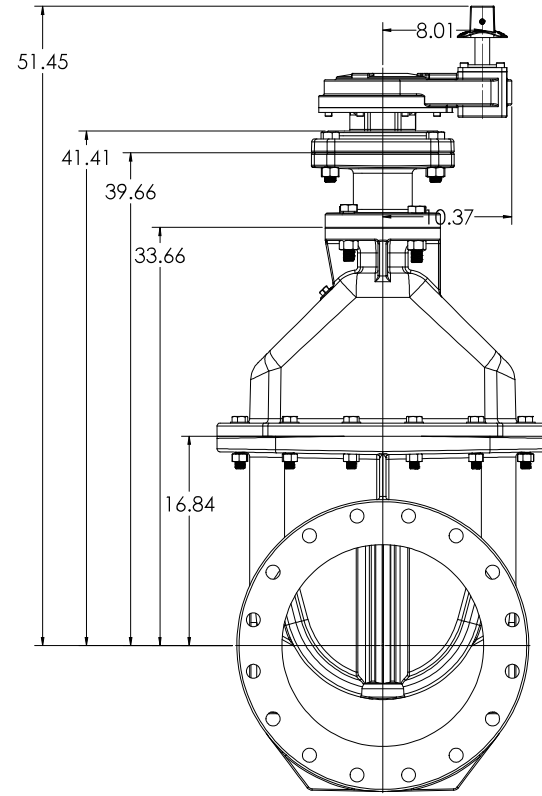


COMPANY: CLW ADDRESS: 1225 W. 12th St., Suite 100 Lincoln, NE 68502 PHONE: (402) 441-1111 FAX: (402) 441-1112 WWW: www.clw.com		PROJECT: 16" C515 NRS GEARED RESILIENT WEDGE GATE VALVE LBS: T8B DATE: 12/29/2020 DRAWN BY: SJK/works 2016 SP2		SHEET NO: 7 TOTAL SHEETS: 7 PROJECT NO: D
---	--	---	--	---

### BEVEL GEAR WITH OPERATING NUT

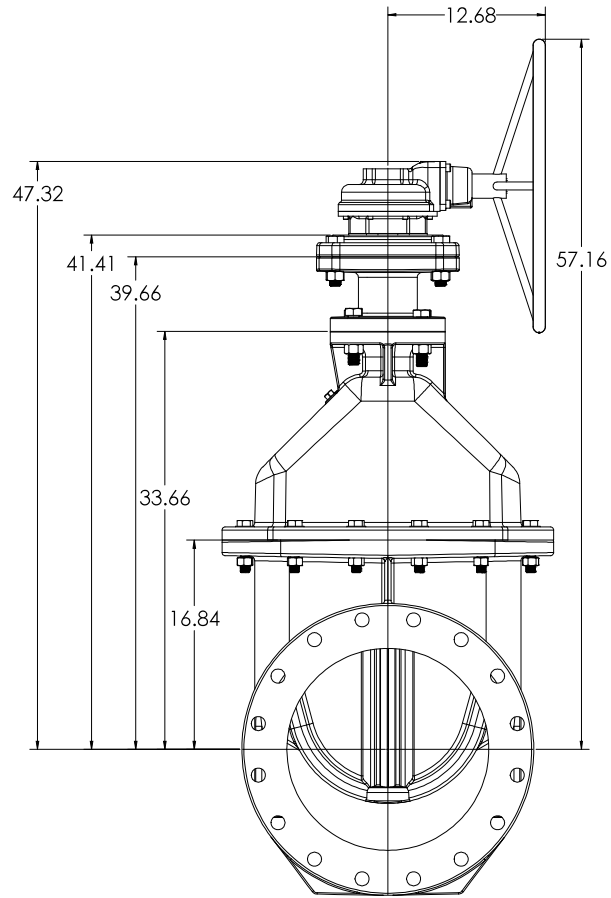


### SPUR GEAR WITH OPERATING NUT

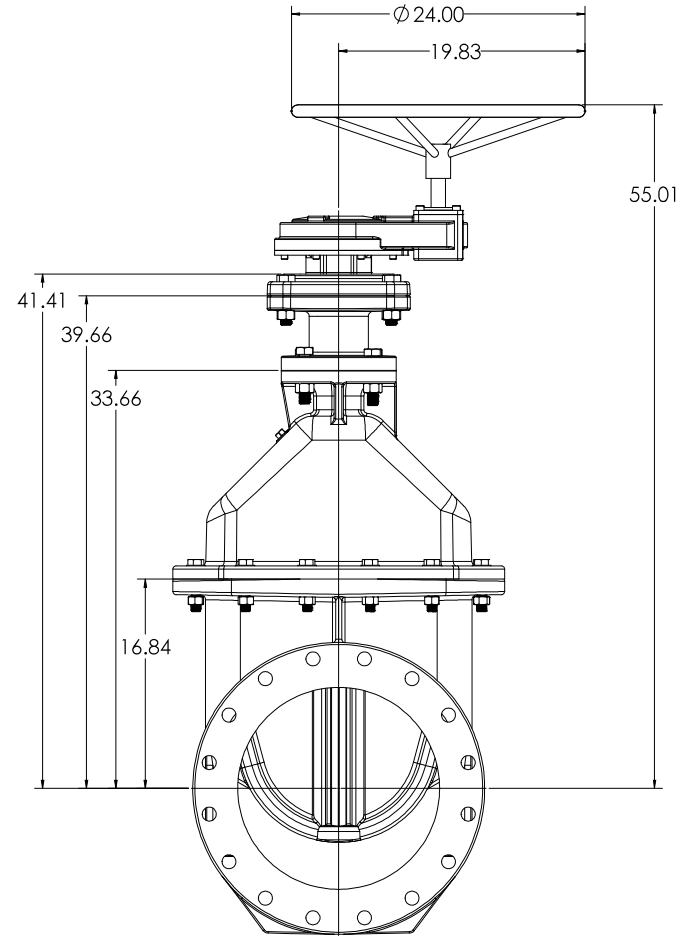


COMPANY: CLW ADDRESS: 1223/2020 PHONE: 714-941-1111 FAX: 714-941-1112 EMAIL: SALES@CLW.COM WEBSITE: WWW.CLW.COM		PROJECT: 16" CS18 NRS GEARED RESILIENT WEDGE GATE VALVE LBS: T:5 DATE: 12/3/2020		SHEET: 7 OF: 7 DRAWN BY: D
--	--	--	--	----------------------------------

### BEVEL GEAR WITH OPERATING NUT

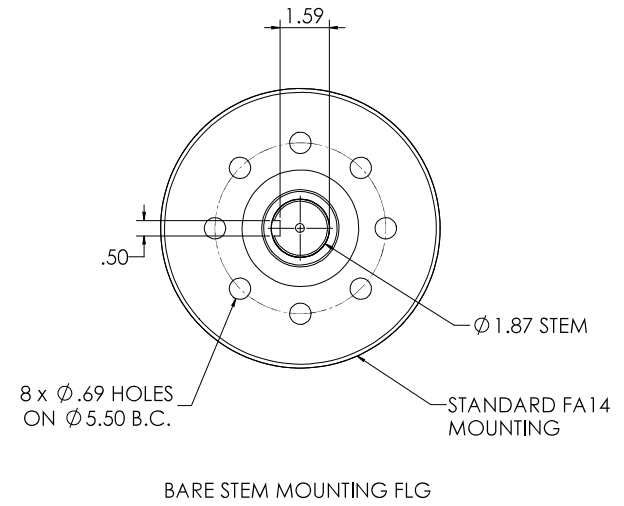
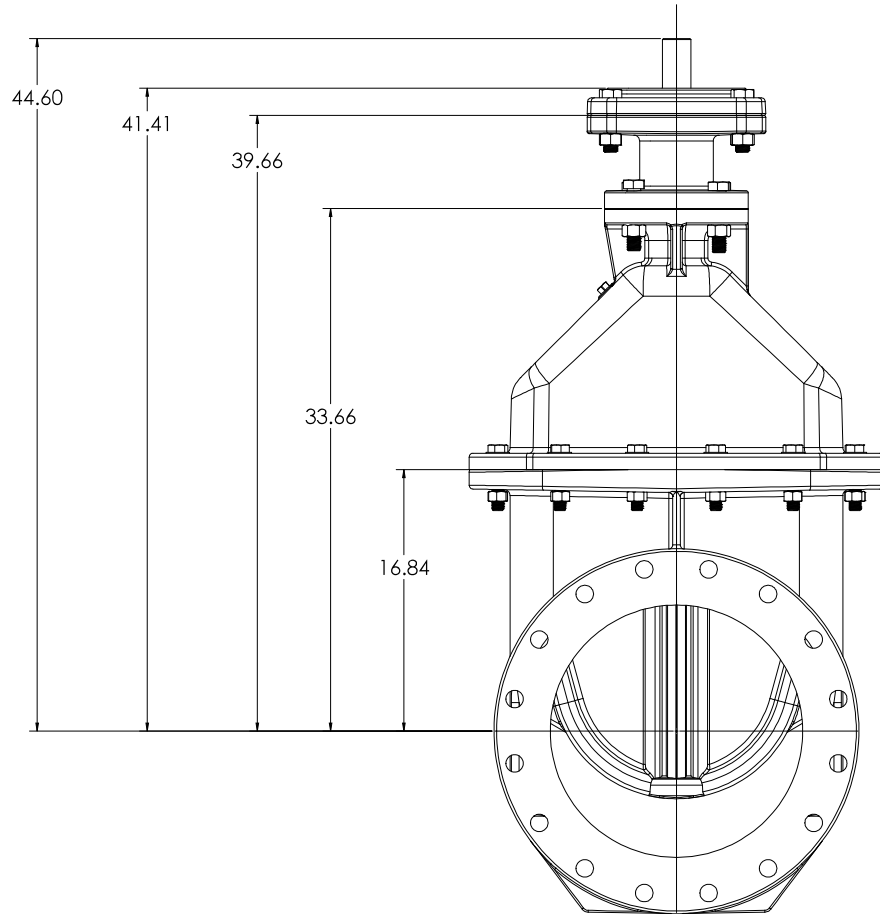


### SPUR GEAR WITH OPERATING NUT

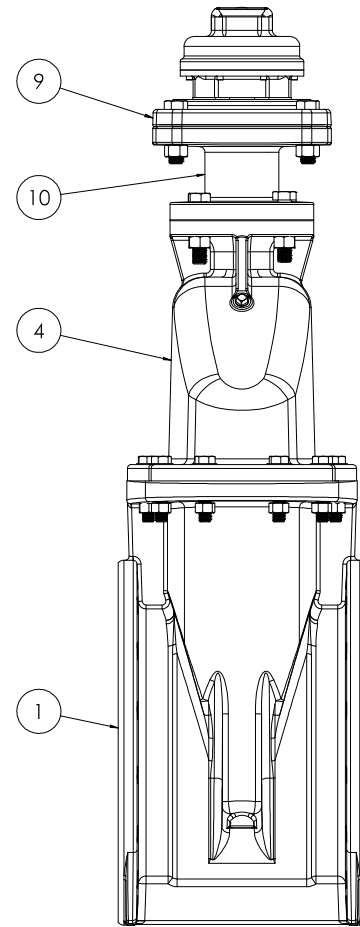
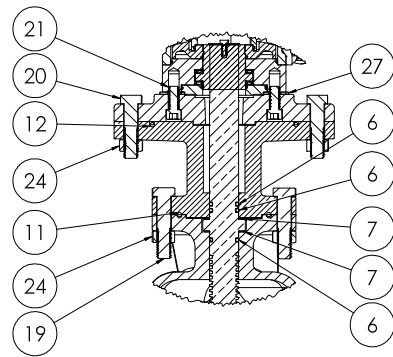
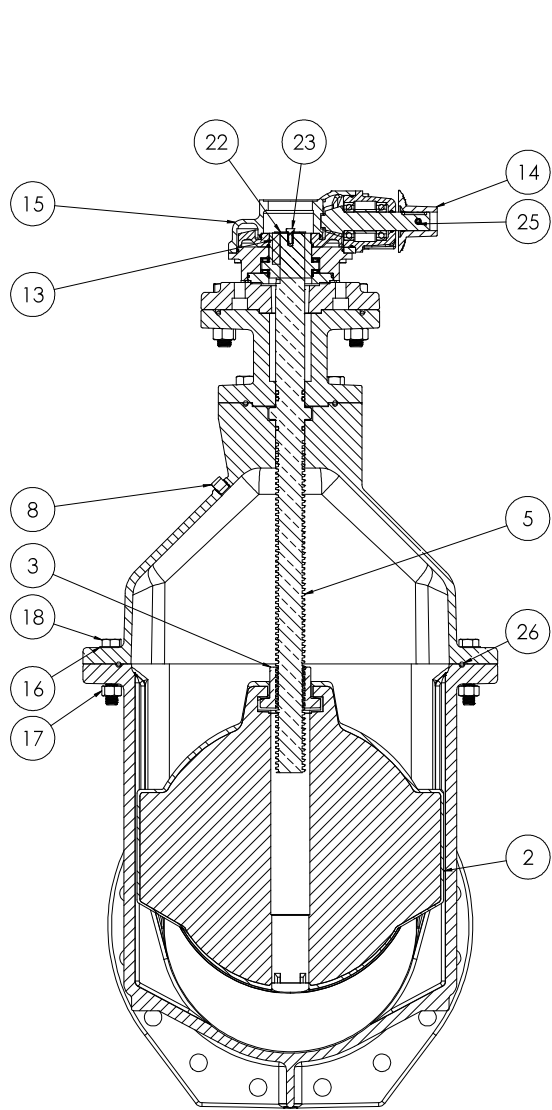


<b>CLW</b> CLW Valve Co.		16" CS15 NRS GEARED RESILIENT WEDGE GATE VALVE		3 7	D
DATE: 12/1/2020 BY: CW CHECKED: 12/1/2020 BY:	PART NO: 12/1/2020 REV: 1	MATERIAL: CS15 NRS FINISH: POLISHED	WEIGHT: 150 LBS DIMENSIONS: 16" x 16" x 16"	SCALE: 1:5	SHEET NO: 7

# BARE STEM



COMPANY: CLW ADDRESS: 12345 INDUSTRIAL BLVD CITY: NEW YORK, NY 10001 PHONE: (212) 555-1234 FAX: (212) 555-5678 E-MAIL: SALES@CLW.COM WEBSITE: WWW.CLW.COM		PROJECT: 16" C515 NRS GEARED RESILIENT WEDGE GATE VALVE LBS: T:4 DATE: 12/3/2020 DRAWN BY: CW CHECKED BY: [blank]		SHEET: 4 OF 7 PART: D	
---	--	---	--	--------------------------	--



COMPANY: CLW ADDRESS: 12345 Main St CITY: Anytown, CA 90001 PHONE: (555) 123-4567 FAX: (555) 987-6543 E-MAIL: sales@clw.com		PROJECT: 16" CS18 NRS GEARED RESILIENT WEDGE GATE VALVE DRAWING NO.: 12345678 DATE: 12/31/2020 SCALE: T:4 SHEET NO.: 5 OF 7		DRAWN BY: J.D. CHECKED BY: M.K. APPROVED BY: R.L.	PROJECT NO.: 12345 SHEET NO.: 5 TOTAL SHEETS: 7
--	--	---	--	---	---

<u>ITEM NO.</u>	<u>COMPONENT</u>	<u>QTY.</u>	<u>SIZE</u>	<u>STANDARD MATERIAL</u>	<u>MATERIAL OPTIONS</u>
1	BODY	1	-	DUCTILE IRON	-
2	WEDGE	1	-	EPDM/DUCTILE IRON	-
3	STEM NUT	1	-	C87850	C99500 (LOW ZINC)
4	COVER	1	-	DUCTILE IRON	-
5	STEM	1	-	C86700	C99500 (LOW ZINC), 304 SS, 316 SS
6	O-RING	3	#325	EPDM	BUNA-N
7	THRUST WASHER	2	-	NYLATRON	-
8	PIPE PLUG	1	1/2"-NPT	304 SS	316 SS
9	ADAPTER PLATE	1	-	DUCTILE IRON	-
10	EXTENSION PLATE	1	-	DUCTILE IRON	-
11	O-RING	1	#433	EPDM	BUNA-N
12	O-RING	1	#447	EPDM	BUNA-N
13	KEY	1	1/2" X 2"	18-8 SS	316 SS
14	OPERATING NUT	1	-	DUCTILE IRON	C86700, **Ø 24" HANDWHEEL**
15	BEVEL GEAR	1	-	-	-
16	WASHER	12	WASHER	18-8 SS	316 SS
17	HEX NUT	12	3/4"-10	18-8 SS	316 SS
18	HEX HEAD CAP SCREW	12	3/4"-10 X 3 3/4"	18-8 SS	316 SS
19	HEX HEAD CAP SCREW	4	7/8"-9 X 4"	18-8 SS	316 SS
20	HEX HEAD CAP SCREW	4	7/8"-9 X 3 1/2"	18-8 SS	316 SS
21	HEX HEAD CAP SCREW	4	5/8"-11 X 1 1/2"	18-8 SS	316 SS
22	WASHER	1	5/16" X 2"	18-8 SS	316 SS
23	HEX HEAD CAP SCREW	1	HEX HEAD CAP SCREW	18-8 SS	316 SS
24	HEX NUT	8	7/8"-9	18-8 SS	316 SS
25	COILED SPRING PIN	1	10MM X 45MM	302/304 SS	-
26	O-RING	1	#463	EPDM	BUNA-N
27	GASKET	1	-	BUNA-N	-

- VALVES CONFORM WITH FOLLOWING STANDARDS
- AWWA C515
  - NSF 61
- LOW ZINC BRASS STEM AND STEM NUT AVAILABLE
  - 100% DOMESTIC FASTENER AND O-RING OPTIONS AVAILABLE
  - OPEN LEFT (COUNTERCLOCKWISE) AND OPEN RIGHT (CLOCKWISE) OPTIONS AVAILABLE
  - TURNS TO OPEN FROM FULLY CLOSED: 104 (± 5%)
  - AWWA MAXIMUM ALLOWABLE CLOSING TORQUE 250 FT-LBS INTO GEAR
  - OPTIONAL HANDWHEEL CAN BE SUBSTITUTED FOR STANDARD 2" SQUARE OP NUTS
    - \*\*NOTE: STANDARD HANDWHEEL SIZE CALLED OUT IN PARTS LIST\*\*
  - MAXIMUM PRESSURE RATING 250 PSI

<small>CLW</small> <small>CLW</small>		<small>16" CS15 NRS GEARED RESILIENT WEDGE GATE VALVE</small>		<small>6</small> <small>7</small>
<small>DATE</small> <small>REV</small> <small>APP</small> <small>CHK</small> <small>DATE</small>	<small>REV</small> <small>REV</small> <small>REV</small> <small>REV</small>	<small>DATE</small> <small>DATE</small> <small>DATE</small> <small>DATE</small>	<small>DATE</small> <small>DATE</small> <small>DATE</small> <small>DATE</small>	<small>DATE</small> <small>DATE</small> <small>DATE</small> <small>DATE</small>
<small>DATE</small> <small>DATE</small>		<small>DATE</small> <small>DATE</small>		<small>DATE</small> <small>DATE</small>