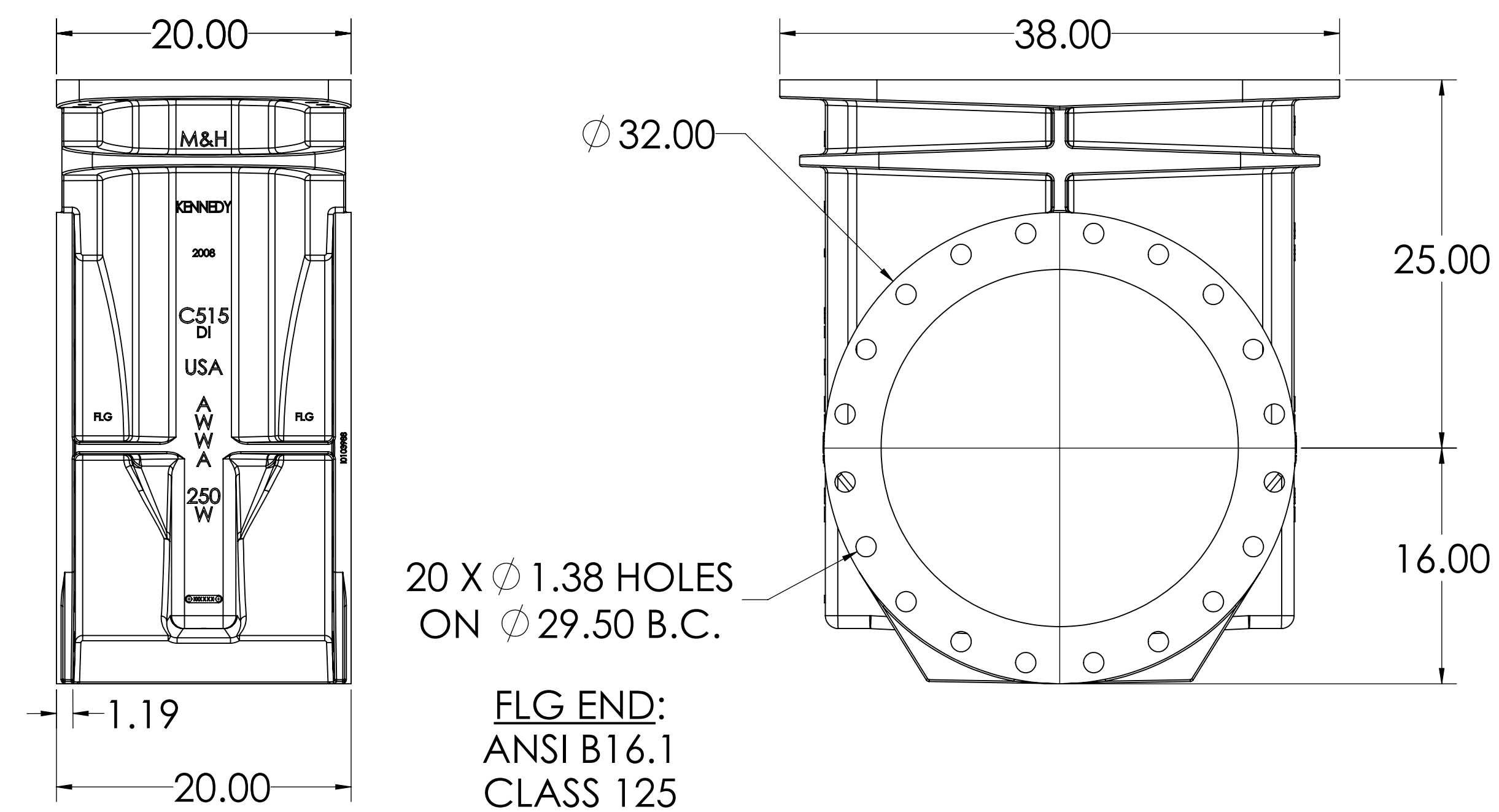
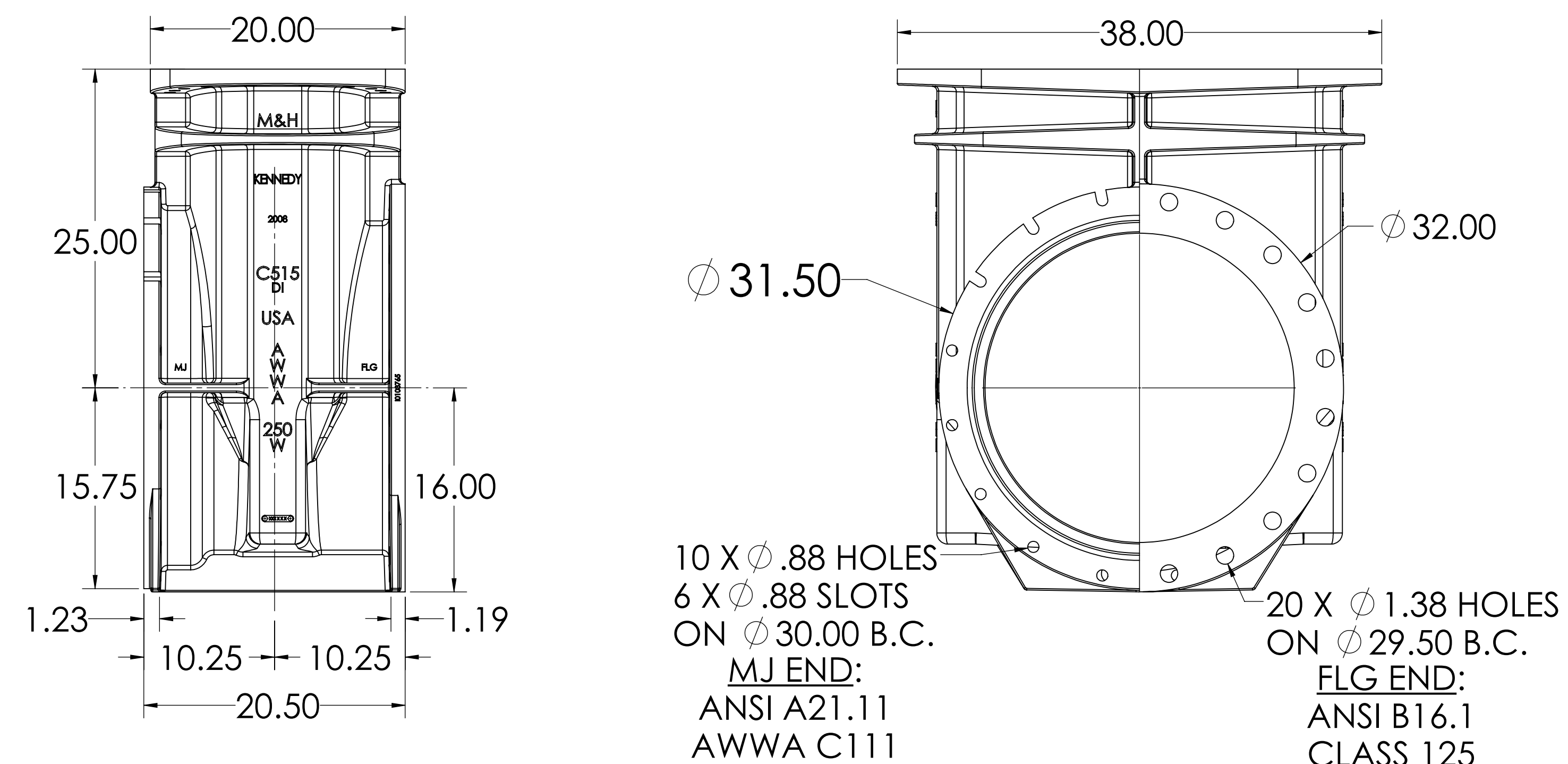


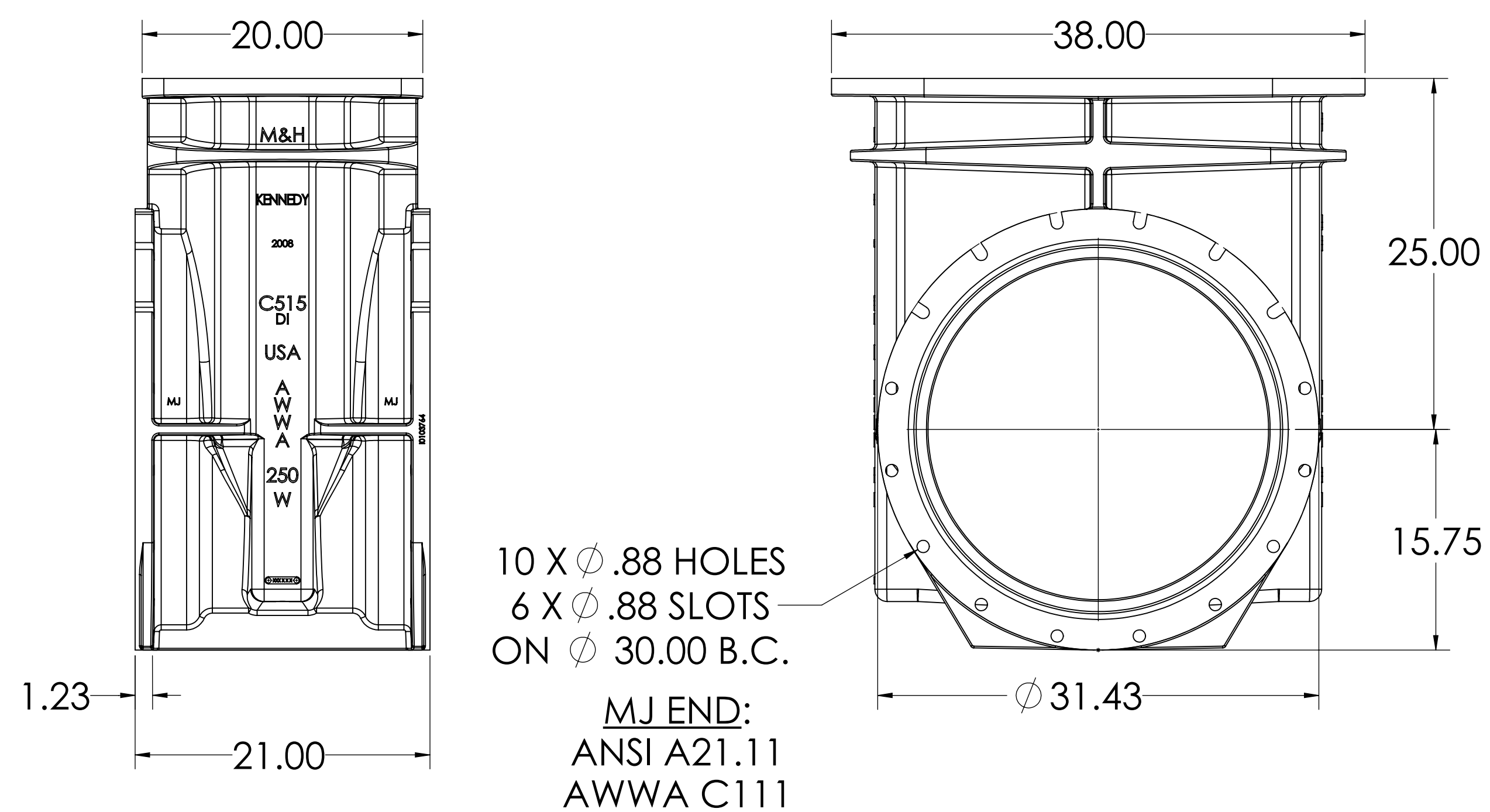
24" C515 FLG X FLG



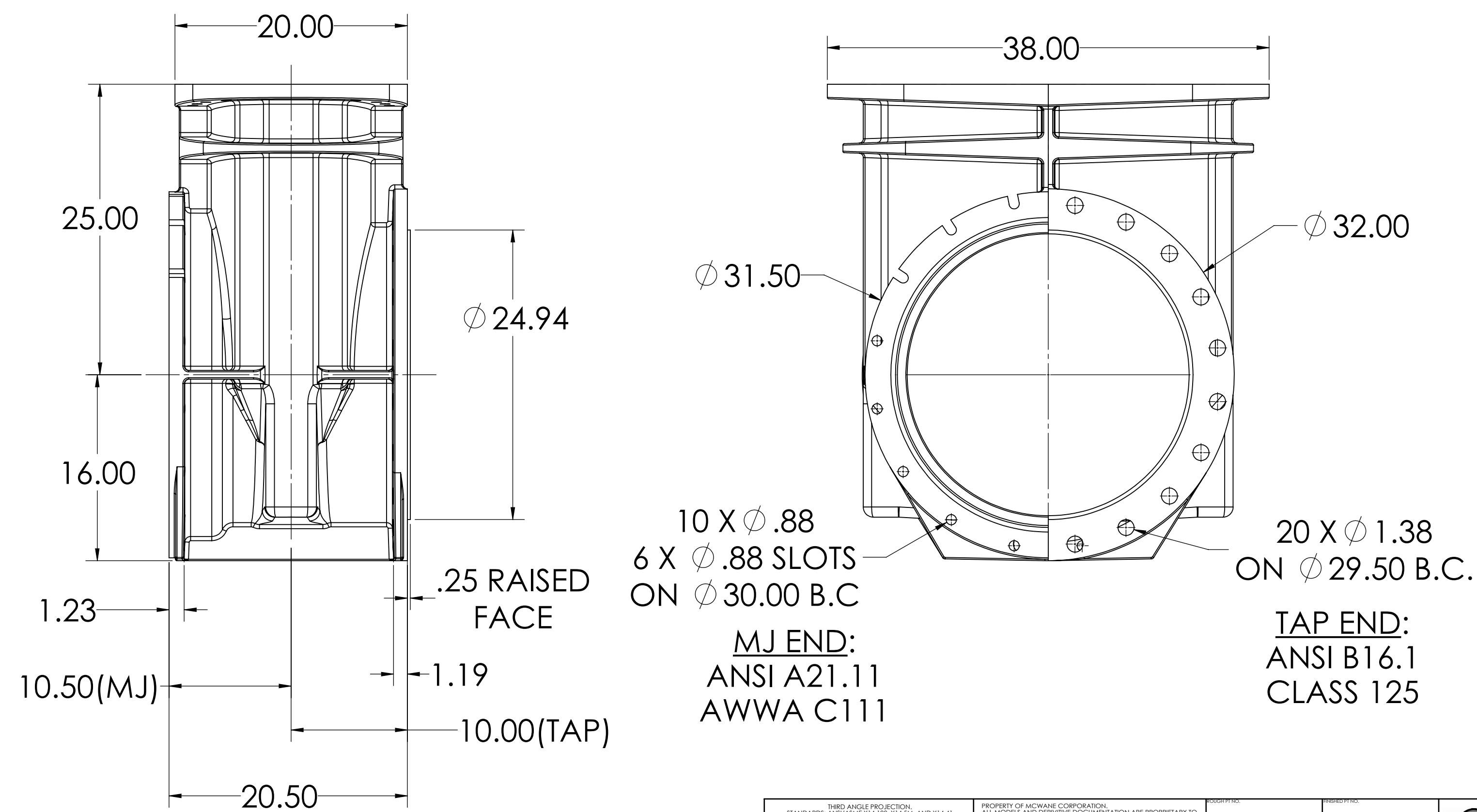
24" C515 MJ X FLG



24" C515 MJ X MJ

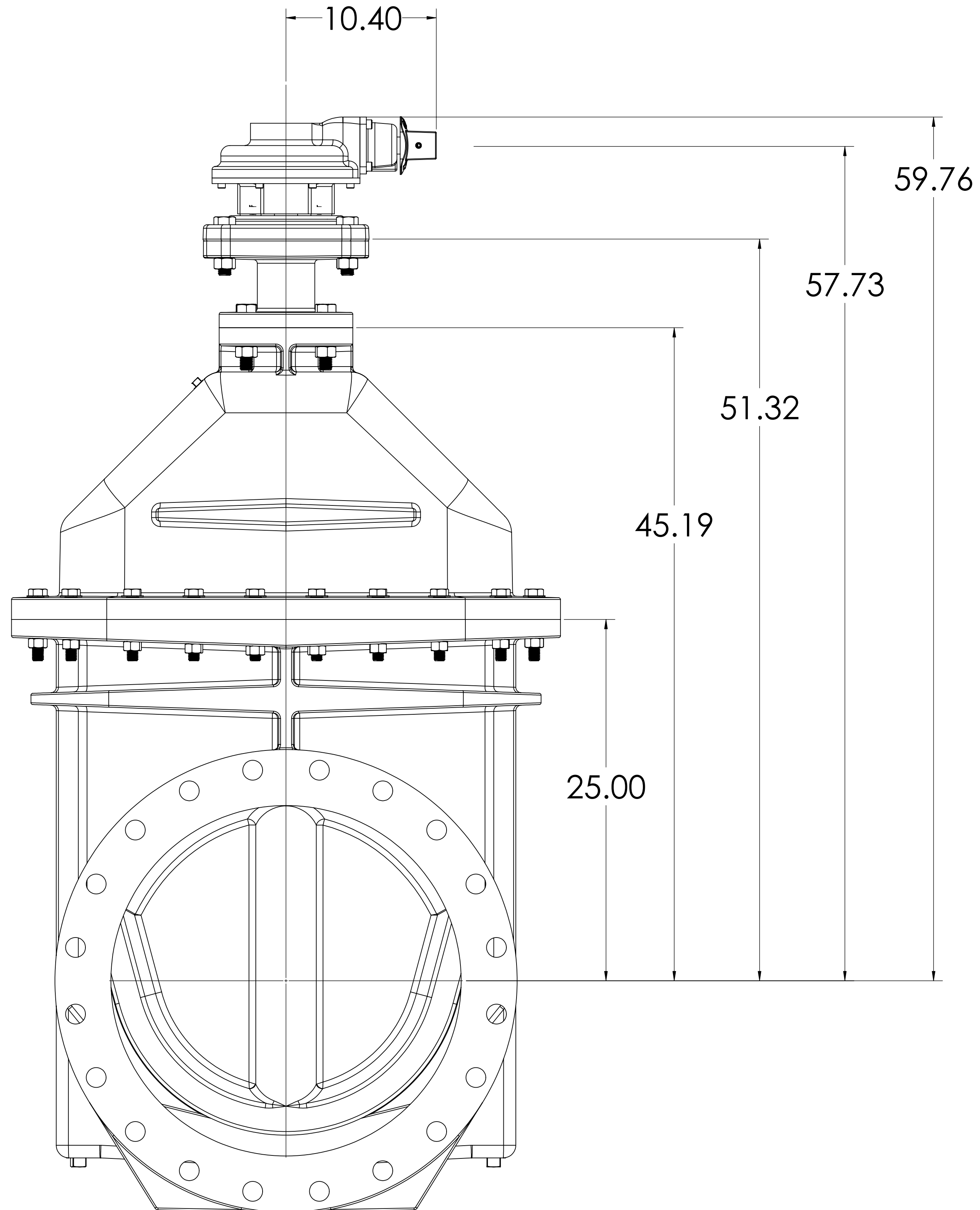


24" C515 MJ X TAP

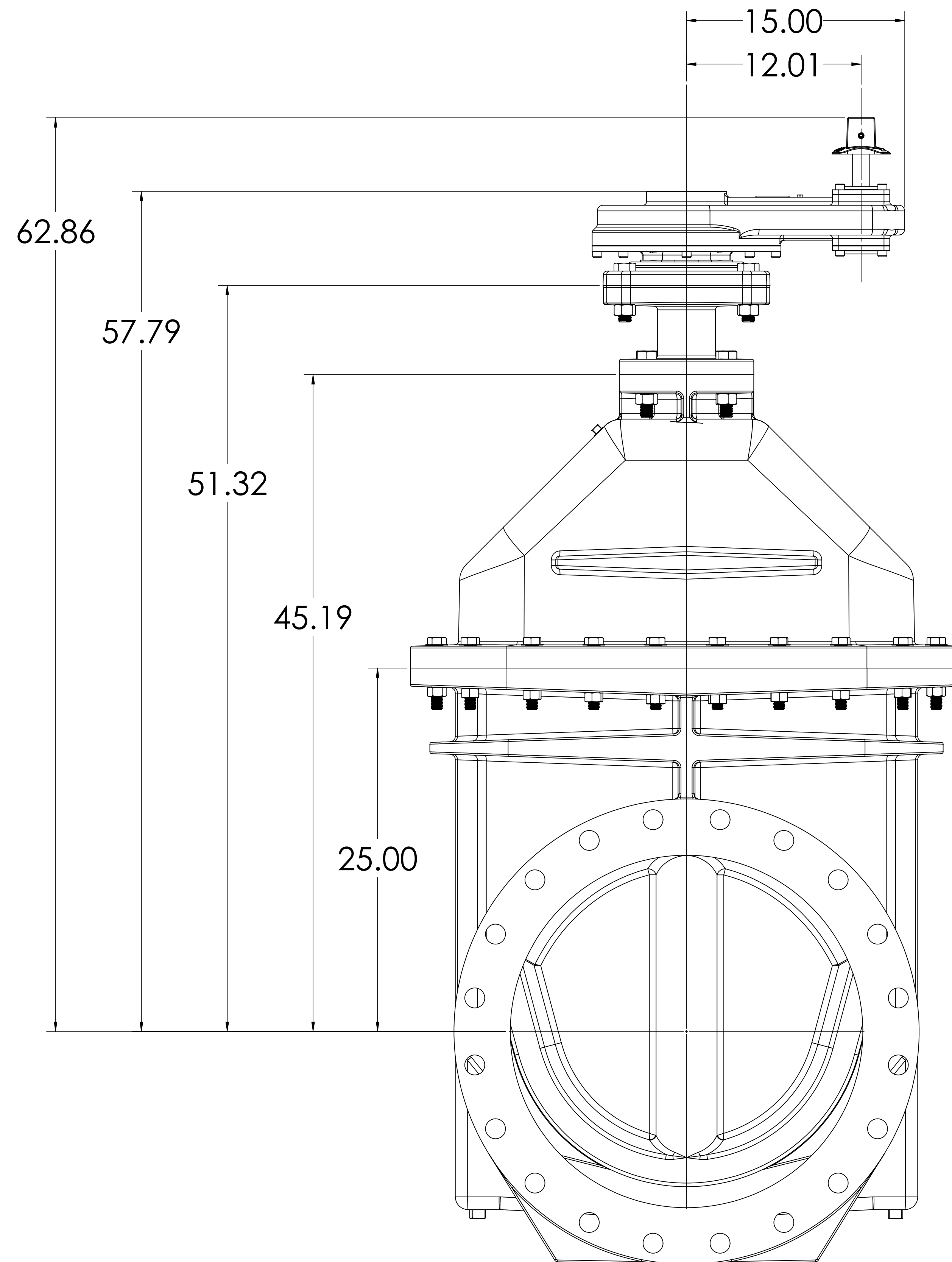


| | | | | | |
|---|---------|--|---------|---|--|
| STANDARDS: ANSI/AWWA C111, C115, C118, C124, AND C124.1. TOLERANCES: AS FOLLOWS UNLESS OTHERWISE SPECIFIED. | | PROPERTY OF MCWANE CORPORATION. ALL RIGHTS RESERVED. THIS DRAWING AND ITS CONTENTS ARE PROPRIETARY TO MCWANE CORPORATION AND ITS SUBSIDIARIES. DISTRIBUTION IS RESTRICTED TO THE COMPANY'S EXCLUSIVE USE UNLESS OTHERWISE ARRANGED. ALL RIGHTS RESERVED. | | DATE: A-05/14/21 | |
| CASTING TOLERANCES: | | MATCHED DIMENSIONS: | | MATERIAL: | |
| 0.4": | ± 1/32" | DECIMALS: | ± 0.005 | ESTIMATED WEIGHT: LBS. | |
| 0.8": | ± 3/64" | FRACTIONS: | ± 1/64" | DESCRIPTION: 24" C515 NRS GEARED RESILIENT WEDGE GATE VALVE | |
| 1.2": | ± 1/16" | ANGLE: | ± 1° | SHEET OF 1 | |
| 1.6": | ± 3/32" | SURFACE FINISH: | 125 μm | SHEET SIZE D | |
| 1.8": | ± 1/8" | RADIUS: | ± 1/8" | DRAWN BY: DWI | |
| MIN RADIUS: | 1/8" | DATE DRAWN: 09/08/20 | | CHECKED BY: | |
| MIN DRIFT: | 2" | SCALE: 1:8 | | APPROVED BY: Solidworks 2018 SP2 | |

BEVEL GEAR WITH OP NUT

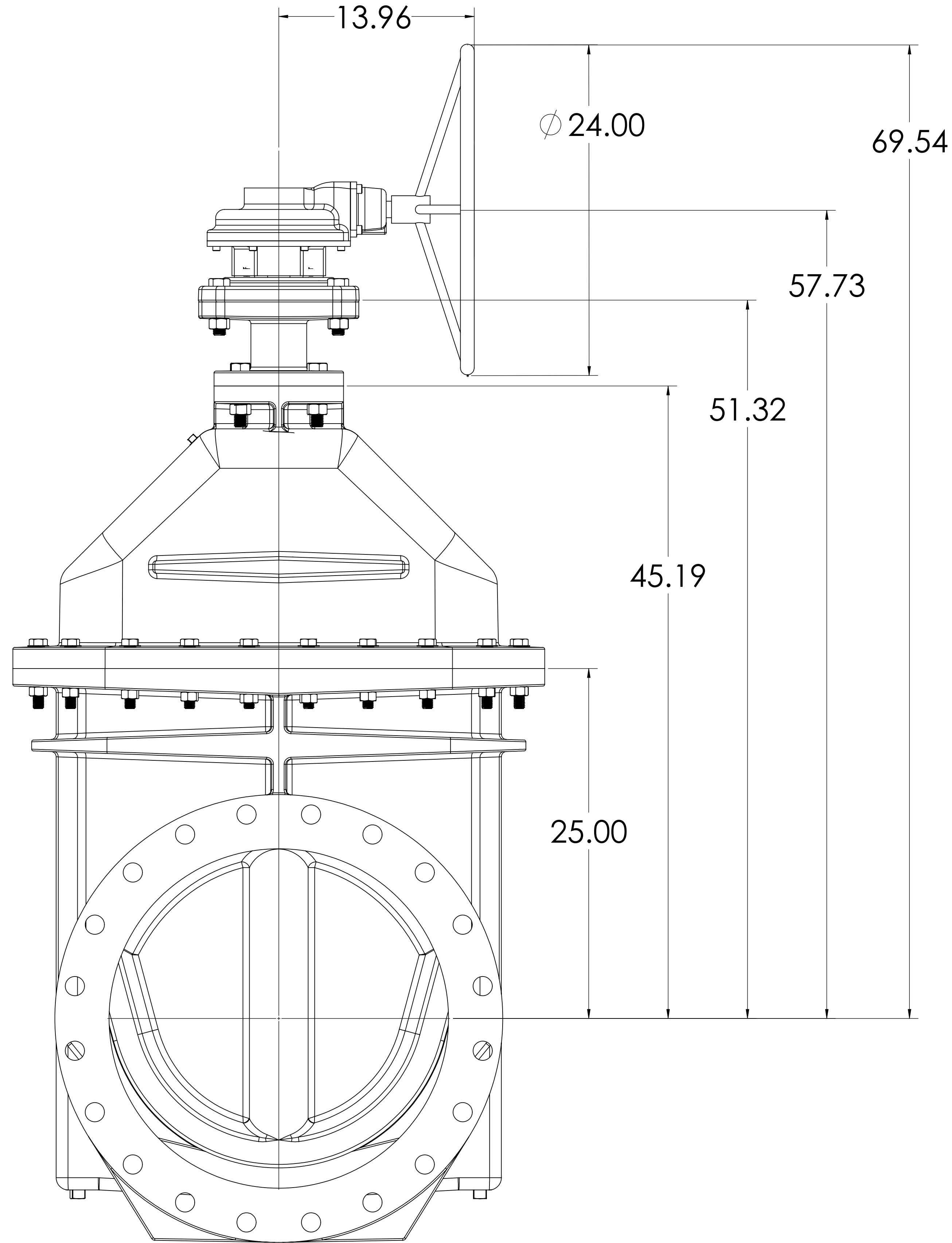


SPUR GEAR WITH OP NUT

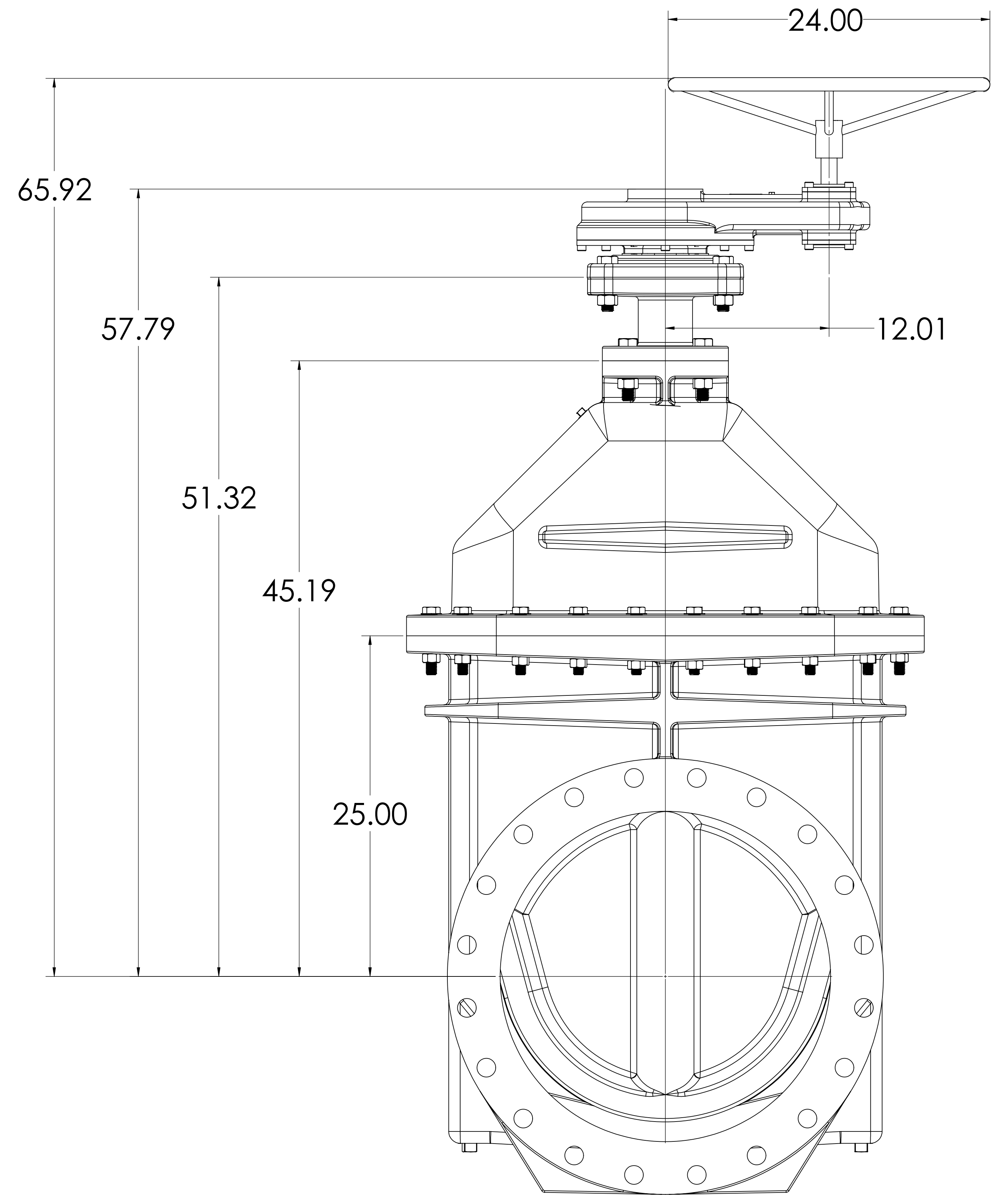


| | | | | |
|--|-------------------------|--|---|------------------|
| STANDARDS AND DIMENSIONS (SEE 11.4.1, 11.4.2, AND 11.4.4) TOLERANCES AS FOLLOWS UNLESS OTHERWISE SPECIFIED. | | PROPERTY OF MCWANE CORPORATION. ALL RIGHTS AND RESERVE. THIS INFORMATION IS PROPRIETARY TO MCWANE CORPORATION AND IS UNCLASSIFIED. IT IS TO BE KEPT CONFIDENTIAL AND NOT TO BE DISCLOSED OR OTHERWISE ARRANGED. ALL RIGHTS RESERVED. | | DATE: A-05/14/21 |
| CASTING TOLERANCES: | MACHINED DIMENSIONS: | MATERIAL: | DESCRIPTION: 24" CS15 NRS GEARED RESILIENT WEDGE GATE VALVE | |
| 6-8": ± 0.005 | DECIMALS: ± 0.005 | ESTIMATED WEIGHT: LBS. | SHEET NO. 2 | |
| 8-12": ± 0.004 | FRACTIONS: ± 0.004 | DATE DRAWN: 09/08/20 | SHEET OF 7 | |
| 12-18": ± 0.003 | ANGLE: ± 1° | CHECKED: | D | |
| 18-UP": ± 0.002 | SURFACE FINISH: 125 μin | DATE: | | |
| MIN RADIUS: 1/8" | RADIUS: 1/8" | SCALE: 1:5 | Solidworks 2018 SP2 | |
| MIN DRAWT: 2" | | | | |

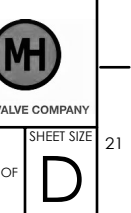
BEVEL GEAR WITH HANDWHEEL



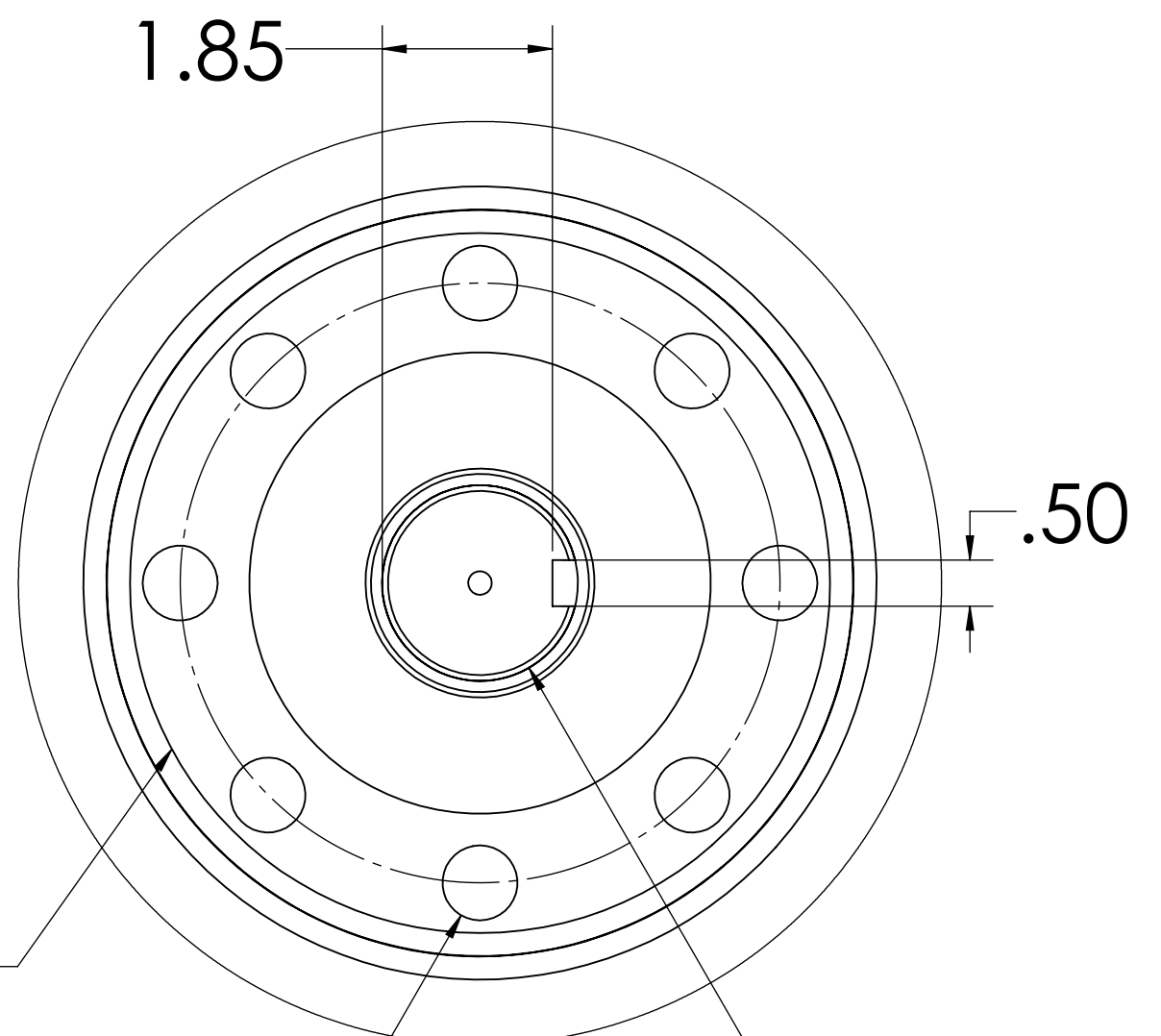
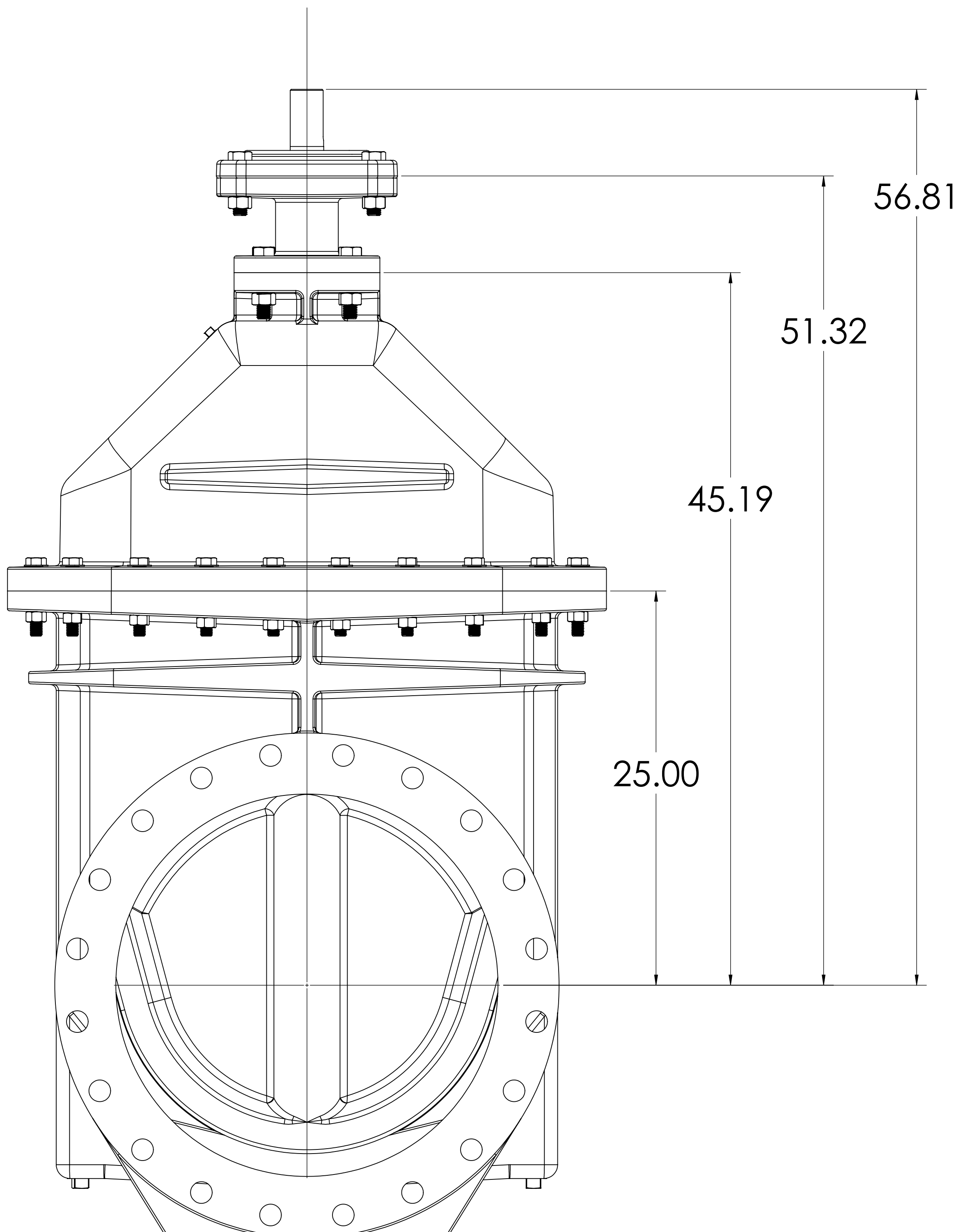
SPUR GEAR WITH HANDWHEEL



| | | | | |
|--|--|---|---|----------------------------|
| THIRD ANGLE PROJECTION. STANDARDS: ANSI/ASME Y14.1, Y14.1M, AND Y14.41. TOLERANCES: AS FOLLOWS UNLESS OTHERWISE SPECIFIED. | | PROPERTY OF MCWANE CORPORATION. ALL DIMENSIONS AND IDENTIFICATION ARE PROPRIETARY TO MCWANE CORPORATION AND ITS SUBSIDIARIES. REPRODUCTION OF THIS DRAWING WITHOUT THE WRITTEN PERMISSION OF MCWANE CORPORATION IS STRICTLY PROHIBITED. OTHERWISE ARRANGED: ALL RIGHTS RESERVED. | | DATE: A-05/14/21 |
| CASTING TOLERANCES: 0-4": ± 0.005 4-8": ± 0.004 8-12": ± 0.003 12-18": ± 0.002 18-UP": ± 0.001 MIN RADIUS: 1/8" MIN DRAFT: 2° | MACHINED DIMENSIONS: DECIMALS: ± 0.005 FRACTIONS: ± 1/100 ANGLE: ± 1° SURFACE FINISH: 125 μin RAD: 1/8" | MATERIAL: ESTIMATED WEIGHT: | DESCRIPTION: 24" CS15 NRS GEARED RESILIENT WEDGE GATE VALVE | SHEET NO: 3 SHEET OF: 7 |
| DWI | DATE DRAWN: 09/08/20 | CHK BY: | SCALE: 1:5 | Solidworks 2018 SP2 |



BARE STEM

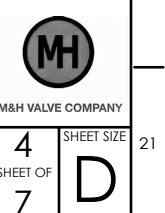


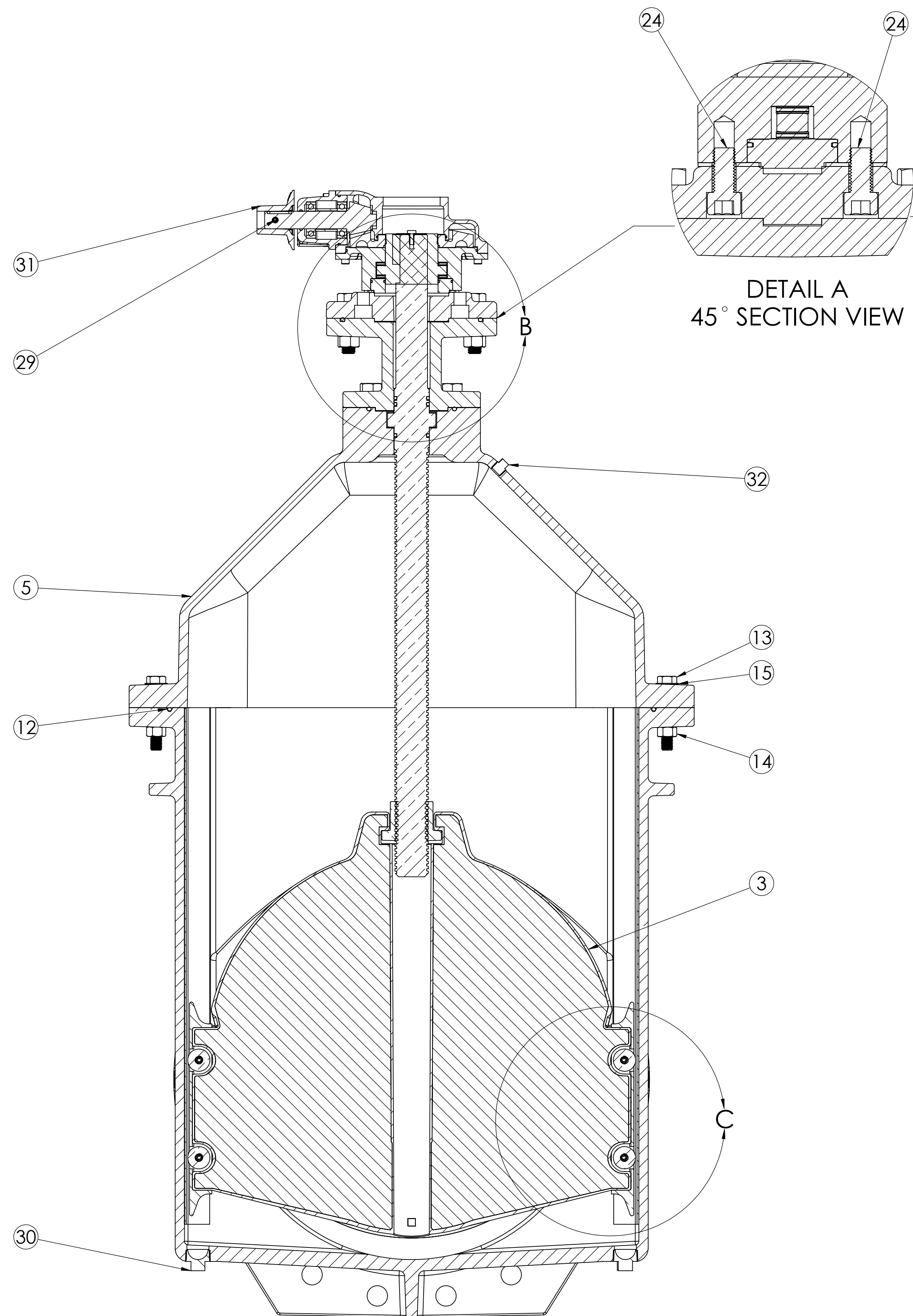
STANDARD FA16 MOUNTING

8 X Ø .81 HOLES ON Ø 6.50 B.C.

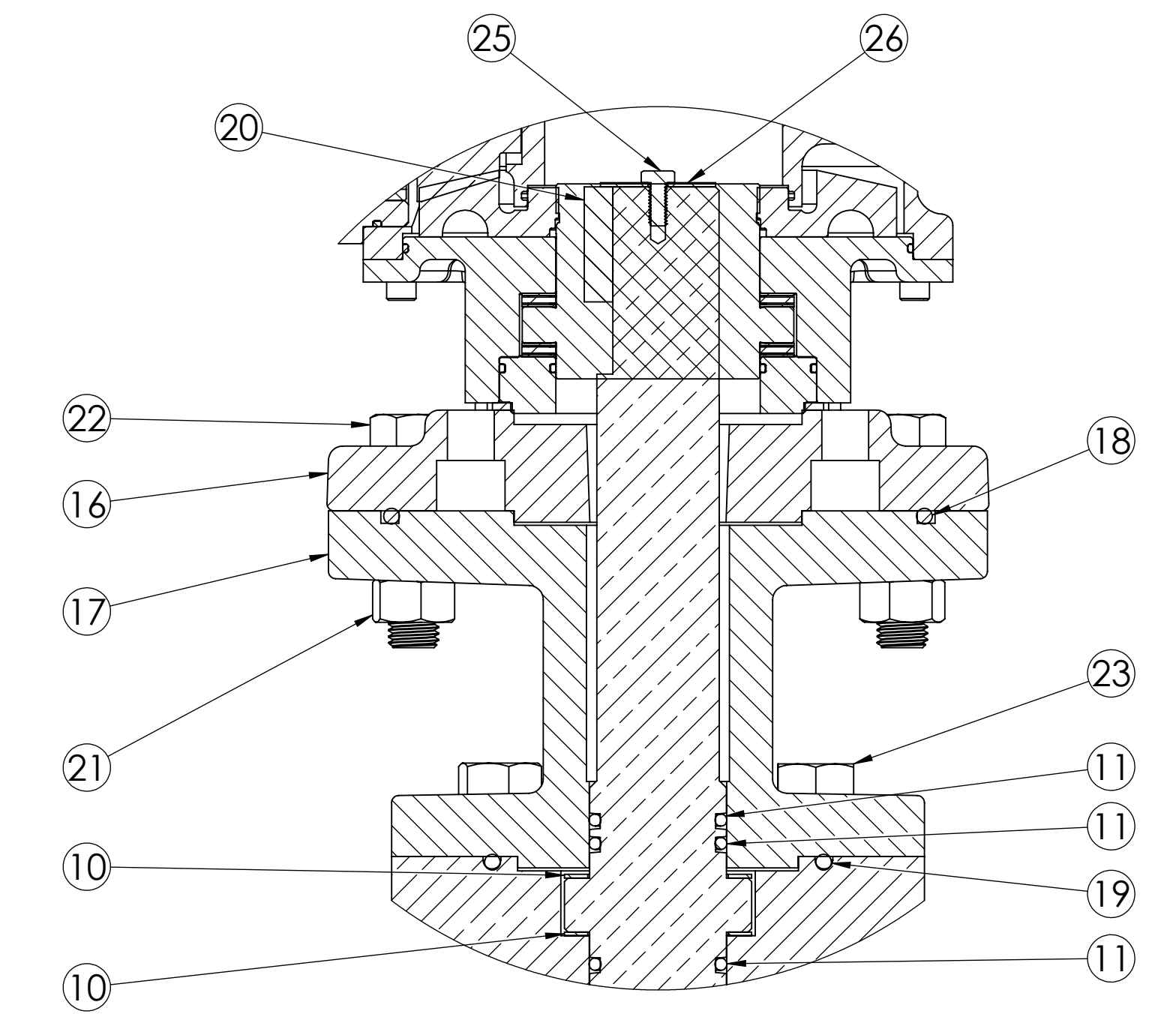
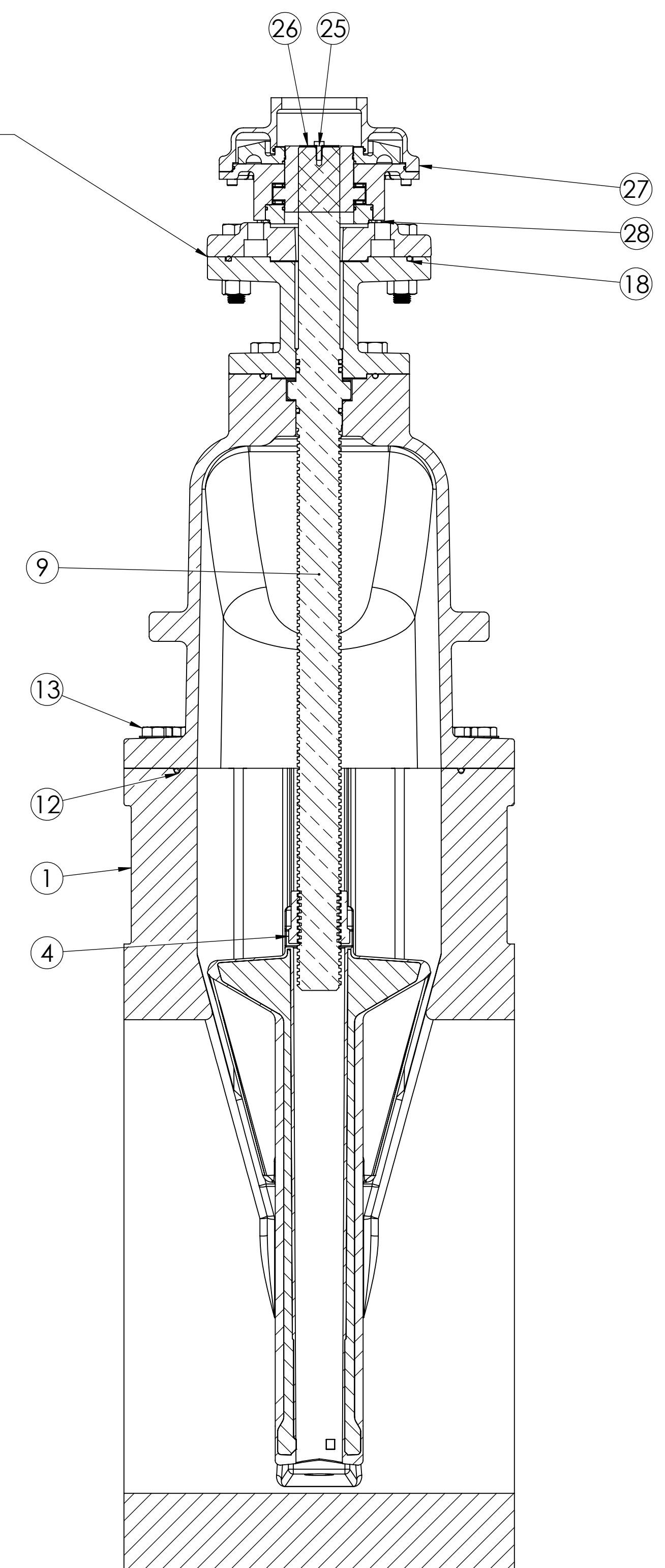
BARE STEM MOUNTING FLG

| | | | | |
|---|-------------------|--|-------------------|---|
| STANDARDS: ANSI/ASME B16.10, B16.41 AND B16.44 TOLERANCES AS FOLLOWS UNLESS OTHERWISE SPECIFIED. | | PROPERTY OF MCWANE CORPORATION. ALL DIMENSIONS AND IDENTIFICATION ARE PROPRIETARY TO MCWANE CORPORATION AND ITS SUBSIDIARIES. REPRODUCTION OR USE WITHOUT PERMISSION OF MCWANE CORPORATION IS PROHIBITED. ALL RIGHTS RESERVED. | | DATE: A-05/14/21 |
| CASTING TOLERANCES: | | MACHINED DIMENSIONS: | | DESCRIPTION: 24" CS15 NRS GEARED RESILIENT WEDGE GATE VALVE |
| 0.4": ± 0.005 | 0.4": ± 0.005 | 0.4": ± 0.005 | 0.4": ± 0.005 | |
| 0.8": ± 0.005 | 0.8": ± 0.005 | 0.8": ± 0.005 | 0.8": ± 0.005 | ESTIMATED WEIGHT: LBS. |
| 1.0": ± 0.005 | 1.0": ± 0.005 | 1.0": ± 0.005 | 1.0": ± 0.005 | |
| 1.5": ± 0.005 | 1.5": ± 0.005 | 1.5": ± 0.005 | 1.5": ± 0.005 | MATERIAL: CS15 NRS |
| 2.0": ± 0.005 | 2.0": ± 0.005 | 2.0": ± 0.005 | 2.0": ± 0.005 | |
| MIN. RADIUS: 1/8" | MIN. RADIUS: 1/8" | MIN. RADIUS: 1/8" | MIN. RADIUS: 1/8" | BY: DWI DATE DRAWN: 09/08/20 |
| MIN. DRIFT: 2" | MIN. DRIFT: 2" | MIN. DRIFT: 2" | MIN. DRIFT: 2" | CHEK BY: DATE CHECKED: 09/08/20 |
| SHEET NO. 4 | | | | SCALE: 1:5 |
| SHEET OF 7 | | | | SOFTWARE: Solidworks 2018 SP2 |

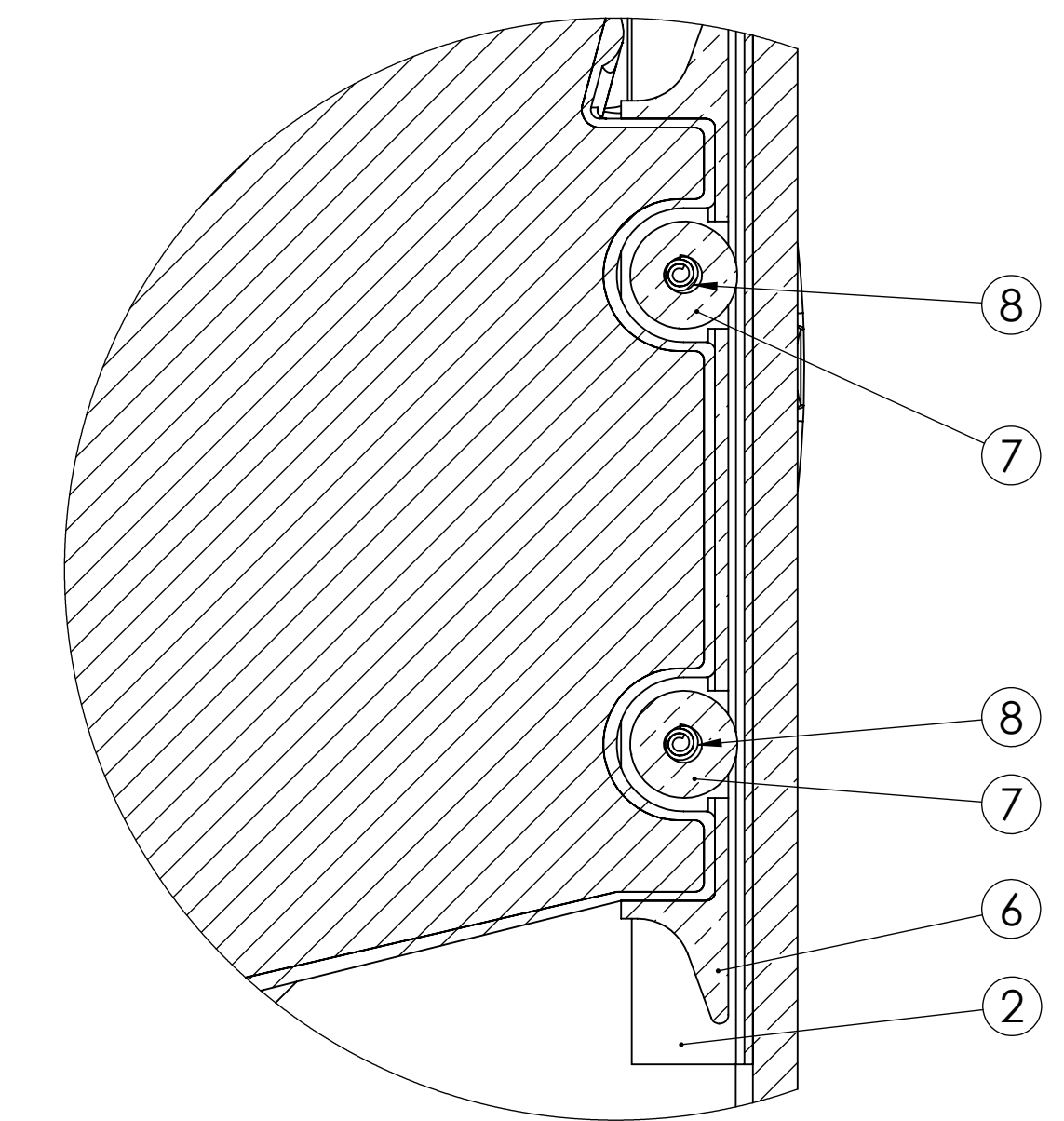




DETAIL A
45° SECTION VIEW

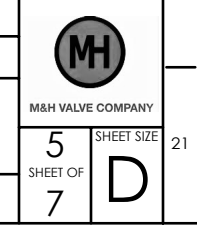


DETAIL B



DETAIL C

| | | | | |
|--|-------------------------|---|---|------------------|
| THIRD ANGLE PROJECTION. STANDARDS: ANSI/MANITEX 114.1 (11.4MM AND 11.441). TOLERANCES AS FOLLOWS UNLESS OTHERWISE SPECIFIED. | | PROPERTY OF MCWANE CORPORATION. ALL DIMENSIONS AND IDENTIFIER DESIGNATIONS ARE PROPRIETARY TO MCWANE CORPORATION AND ITS SUBSIDIARIES. TOLERANCES REQUIRED FOR PRODUCTION OF DIRECTED USE UNLESS OTHERWISE ARRANGED. ALL RIGHTS RESERVED. | | DATE: A-05/14/21 |
| CASTING TOLERANCES: | MACHINED DIMENSIONS: | MATERIAL: | DESCRIPTION: 24" CS15 NRS GEARED RESILIENT WEDGE GATE VALVE | |
| 0.4": ± 0.005 | DECIMALS: ± 0.005 | ESTIMATED WEIGHT: | LBS. | |
| 0.8": ± 0.004 | FRACTIONS: ± 0.004 | DATE DRAWN: 09/08/20 | DRAWN BY: DWI | CHECKED BY: [] |
| 1.2": ± 0.003 | ANGLES: ± 0.003 | SCALE: 1:5 | SHEET OF 7 | |
| 1.6": ± 0.002 | SURFACE FINISH: 125 μin | SOLIDWORKS: Solidworks 2018 SP2 | | 5 |
| MIN RADII: 1/8" | RADS: 1/8" | | | D |
| MIN DRILLS: 7" | | | | |



| ITEM NO. | COMPONENT | QTY. | SIZE | STANDARD MATERIAL | MATERIAL OPTIONS |
|----------|-------------------|------|-----------------------------|-------------------|---|
| 1 | BODY | 1 | - | DUCTILE IRON | - |
| 2 | TRACK | 2 | - | 316 SS | - |
| 3 | WEDGE | 1 | - | DUCTILE IRON/EPDM | - |
| 4 | STEM NUT | 1 | - | C87850 | C87610 |
| 5 | COVER | 1 | - | DUCTILE IRON | - |
| 6 | SCRAPER | 2 | - | C95500 | - |
| 7 | ROLLER | 4 | - | C95400 | - |
| 8 | COILED SPRING PIN | 4 | - | 18-8 SS | - |
| 9 | STEM | 1 | - | C86200 | C99500, 304 SS, 316 SS |
| 10 | THRUST WASHER | 2 | - | DELFIN | - |
| 11 | O-RING | 3 | #329 | EPDM | BUNA-N |
| 12 | O-RING | 1 | #474 | EPDM | BUNA-N |
| 13 | CAPSCREW | 20 | 3/4"-10 X 1 1/2" | 18-8 SS | 316 SS |
| 14 | HEX NUT | 20 | 3/4"-10 | 18-8 SS | 316 SS |
| 15 | FLAT WASHER | 20 | 3/4" | 18-8 SS | 316 SS |
| 16 | ADAPTER PLATE | 1 | - | DUCTILE IRON | - |
| 17 | GEAR EXTENSION | 1 | - | DUCTILE IRON | - |
| 18 | O-RING | 1 | #447 | EPDM | BUNA-N |
| 19 | O-RING | 1 | #433 | EPDM | BUNA-N |
| 20 | KEY | 1 | 1/2" X 1/2" X 2" | STEEL | - |
| 21 | HEX NUT | 8 | 7/8"-9 | 18-8 SS | 316 SS |
| 22 | CAPSCREW | 4 | 7/8"-9 X 3 1/2" | 18-8 SS | 316 SS |
| 23 | CAPSCREW | 4 | 7/8"-9 X 4" | 18-8 SS | 316 SS |
| 24 | CAPSCREW | 4 | ALLEN HEAD 3/4"-10 X 1 1/2" | 18-8 SS | 316 SS |
| 25 | CAPSCREW | 1 | 5/16"-18 X 3/4" | 18-8 SS | 316 SS |
| 26 | FENDER WASHER | 1 | 5/16" FENDER | 316 SS | - |
| 27 | BEVEL GEAR | 1 | - | - | SPUR GEAR |
| 28 | GASKET | 1 | - | EPDM | - |
| 29 | COILED SPRING PIN | 1 | 10MM X 45MM | 302 SS | 304 SS |
| 30 | PLUG | 2 | 1 1/4" - NPT | 304 SS | 316 SS |
| 31 | OPERATING NUT | 1 | - | CAST IRON | DUCTILE IRON, C86700, *24" HANDWHEEL OPTION* |
| 32 | PLUG | 1 | 1/2" - NPT | 304 SS | 316 SS |

- VALVES CONFORM WITH FOLLOWING STANDARDS
 - AWWA C515
 - NSF 61
- LOW ZINC BRASS STEM AND STEM NUT AVAILABLE
- 100% DOMESTIC FASTENER AND O-RING OPTIONS AVAILABLE
- OPEN LEFT (COUNTERCLOCKWISE) AND OPEN RIGHT (CLOCKWISE) OPTIONS AVAILABLE
- TURNS TO OPEN FROM FULLY CLOSED: 228
 - +/- 5% WITH STANDARD 3:1 BEVEL OR SPUR GEAR
- AWWA MAXIMUM ALLOWABLE CLOSING TORQUE 250 FT-LBS WITH STANDARD GEARING
- OPTIONAL HANDWHEEL CAN BE SUBSTITUTED FOR STANDARD 2" SQUARE OP NUTS
 - **NOTE: STANDARD HANDWHEEL SIZE CALLED OUT IN PARTS LIST**