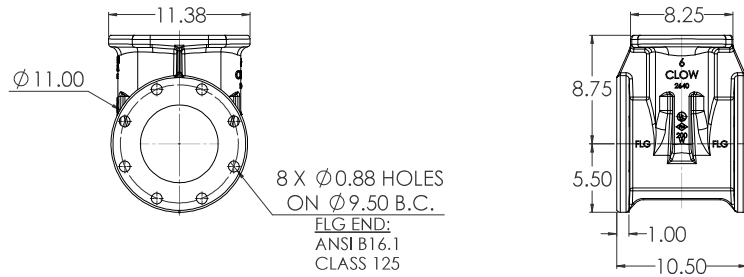
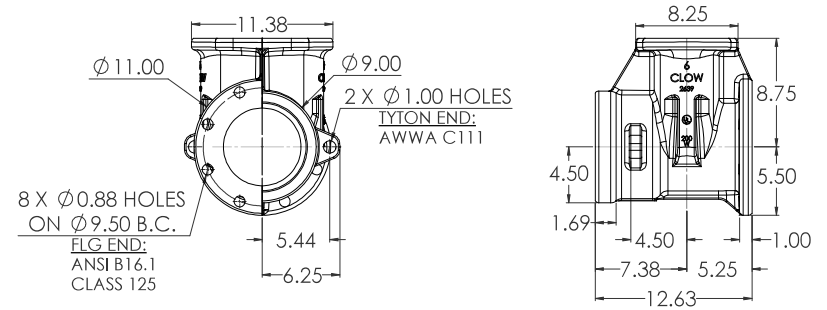


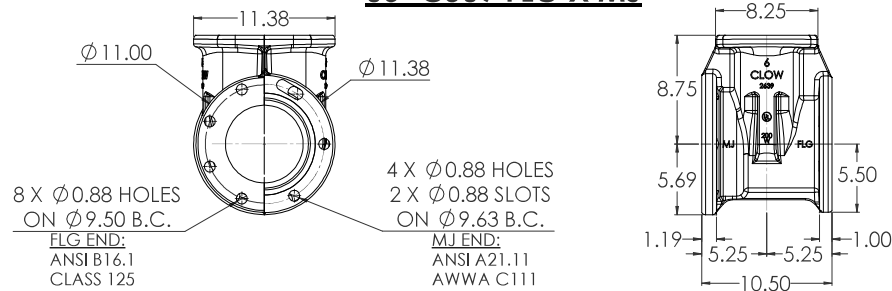
06" C509 FLG X FLG



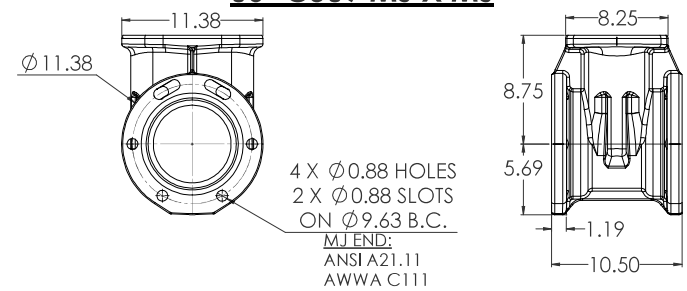
06" C509 FLG X TYTON



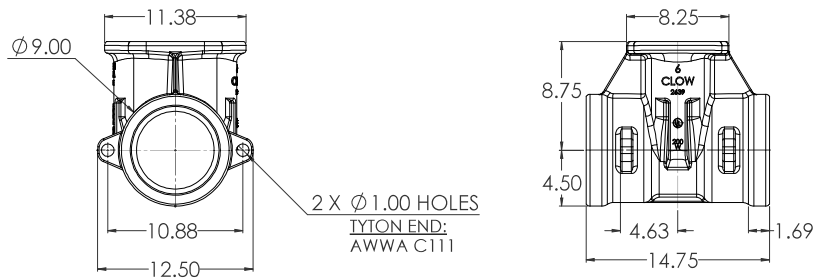
06" C509 FLG X MJ



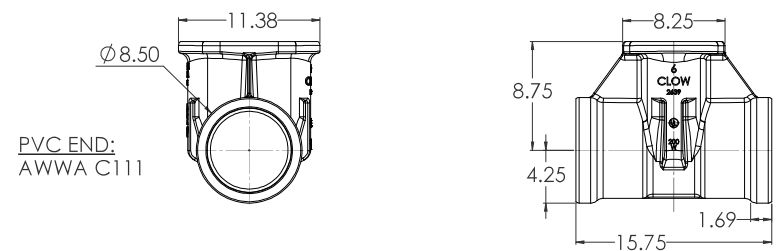
06" C509 MJ X MJ



06" C509 TYTON X TYTON

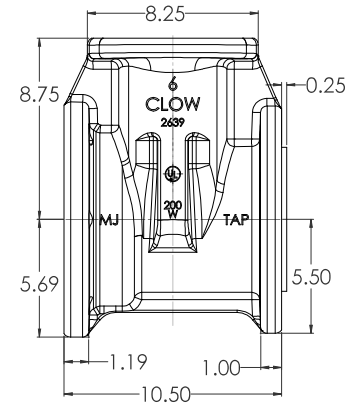
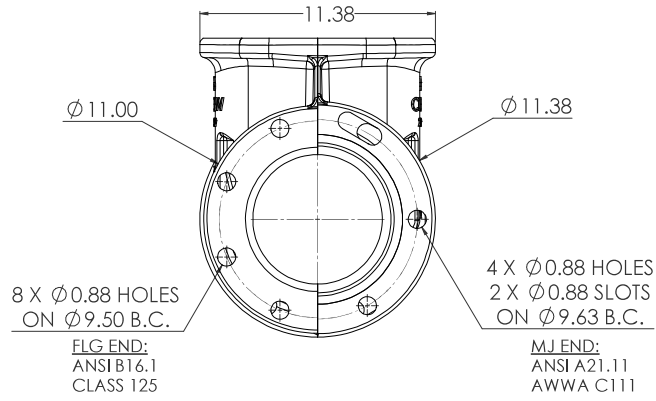


06" C509 PVC X PVC



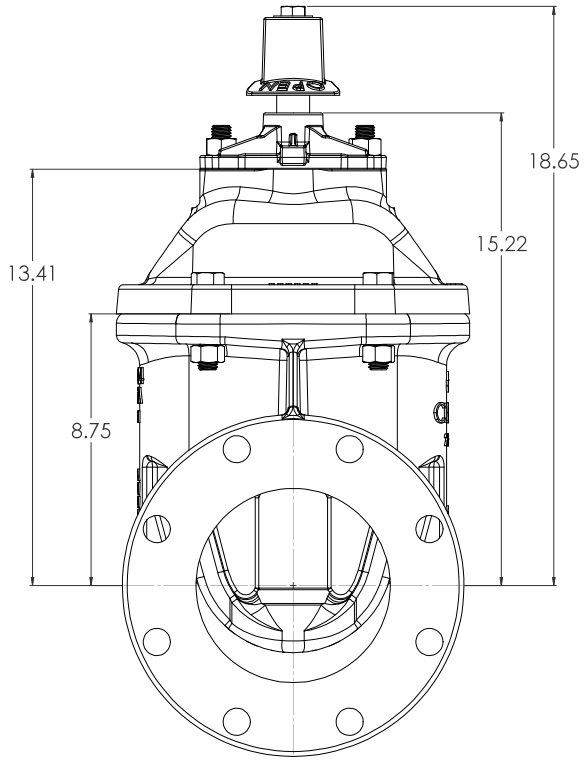
CLW CLW Valve Co. 10000 Valley Road Dallas, TX 75243 (972) 242-1000 www.clwvalve.com		06" C509 NRS RESILIENT WEDGE LBS. GATE VALVE T:5 06/01/2020 SolisWorks 2016 SP2		CLW VALVE CO. ID: 06" C509 NRS RESILIENT WEDGE LBS. GATE VALVE T:5 06/01/2020 SolisWorks 2016 SP2
--	--	---	--	---

06" C509 MJ X TAP

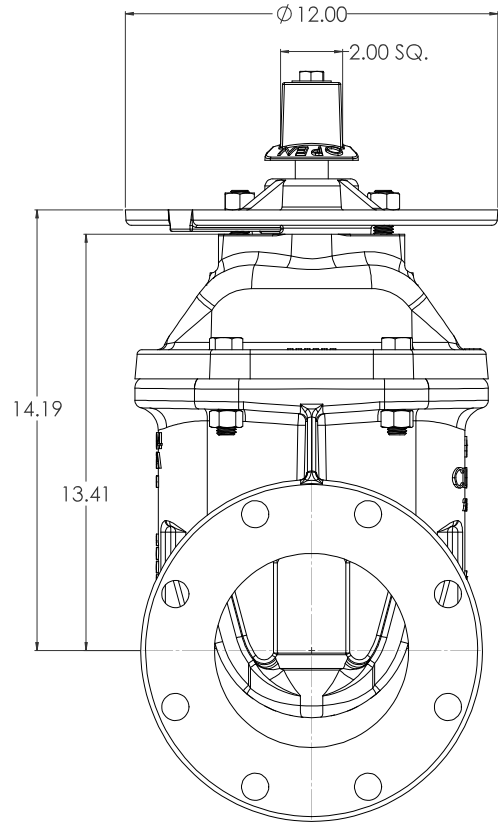


CLW WATERWORKS 10000 W. 10th Ave., Suite 100 Denver, CO 80231 (303) 751-1000 www.clw.com		06" C509 NRS RESILIENT WEDGE GATE VALVE LBS.		2 6 D
DATE: 01/01/2020 TIME: 10:00 AM USER: CW	PROJECT: 06" C509 NRS RESILIENT WEDGE GATE VALVE LBS.	SCALE: 1:5	SHEET: 2 TOTAL: 6	DRAWN BY: CW CHECKED BY: [blank] APPROVED BY: [blank]

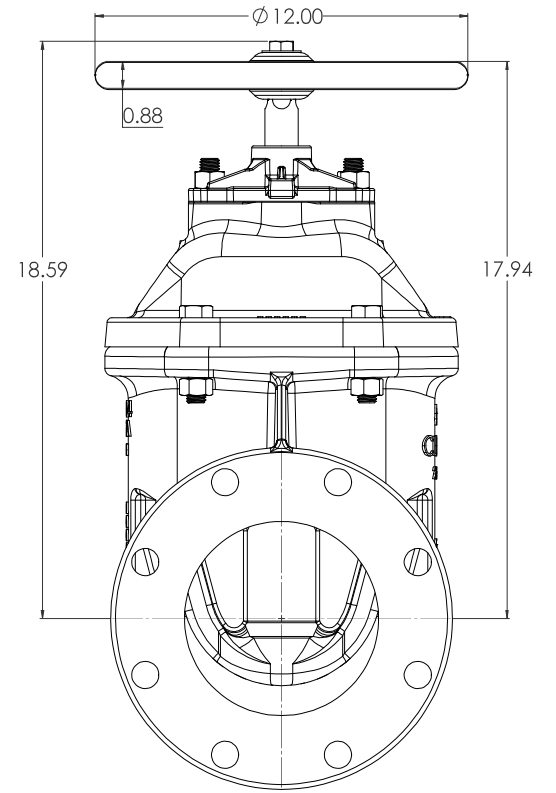
OPERATING NUT WITH O-RING PLATE



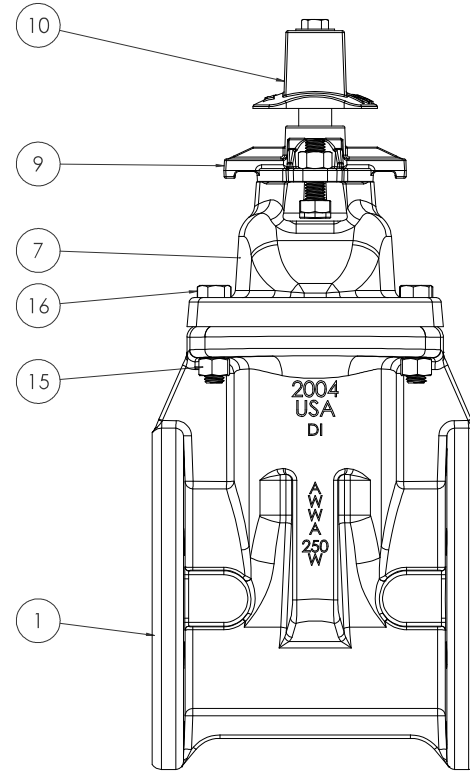
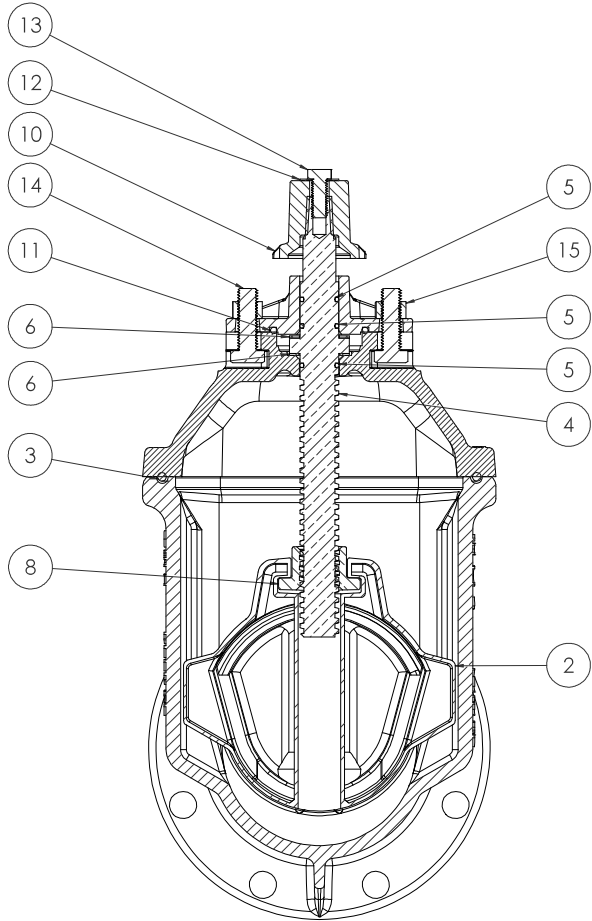
**OPERATING NUT WITH INDICATOR
POST PLATE**



HANDWHEEL WITH O-RING PLATE



COMPANY: CLW ADDRESS: 10000 W. 10th Ave., Suite 100 Denver, CO 80201 PHONE: (303) 751-1000 FAX: (303) 751-1001 WWW: www.clw.com		PROJECT: 06" C50P NRS RESILIENT WEDGE GATE VALVE LBS. 1:5 DATE: 10/01/2008 DRAWN BY: CW		SHEET: 3 TOTAL SHEETS: 6 SCALE: 1:5 DATE: 10/01/2008		CLW 10000 W. 10th Ave., Suite 100 Denver, CO 80201 (303) 751-1000 www.clw.com
--	--	--	--	---	--	---



COMPANY: CLW VALVE CO. ADDRESS: 10000 W. 10th Ave., Suite 100, Denver, CO 80202 PHONE: (303) 751-1100 FAX: (303) 751-1101 WWW: www.clwvalve.com		DRAWING NO.: 10000 W. 10th Ave., Suite 100, Denver, CO 80202 REV: 10000 W. 10th Ave., Suite 100, Denver, CO 80202 DATE: 10/01/2000		TITLE: 04" C50P NRS RESILIENT WEDGE GATE VALVE SCALE: 1:10 DRAWN BY: SJK CHECKED BY: SJK DATE: 10/01/2000		PROJECT: 10000 W. 10th Ave., Suite 100, Denver, CO 80202 SHEET NO.: 4 OF 6 TOTAL SHEETS: 6	DWG NO.: 10000 W. 10th Ave., Suite 100, Denver, CO 80202 REV: 10000 W. 10th Ave., Suite 100, Denver, CO 80202 DATE: 10/01/2000
---	--	--	--	---	--	--	--

