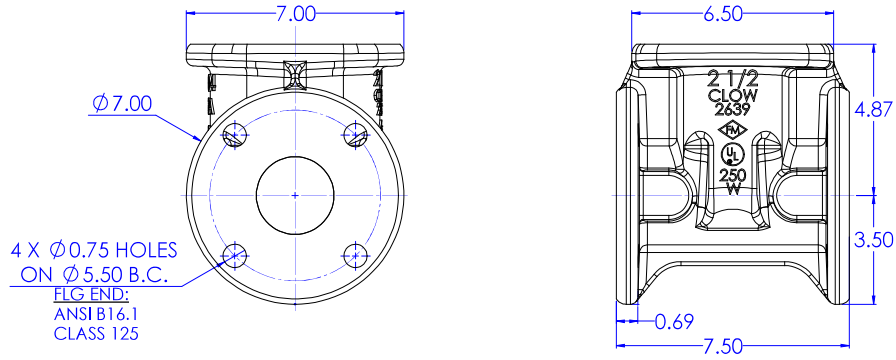
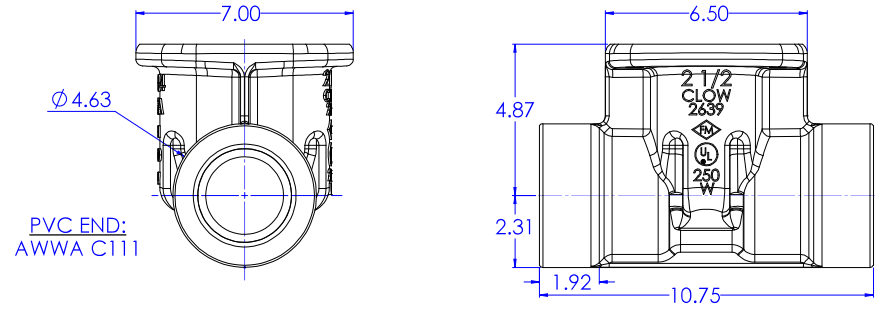


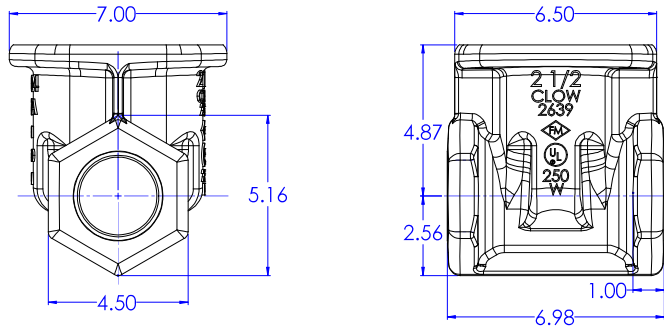
02 1/2" C509 FLG X FLG



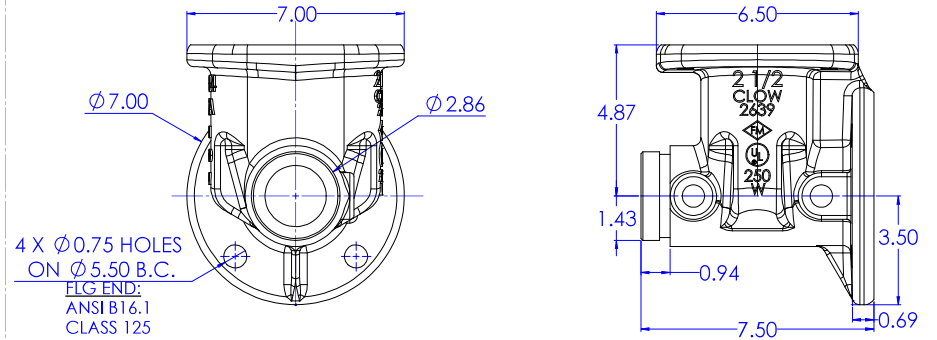
02 1/2" C509 PVC X PVC



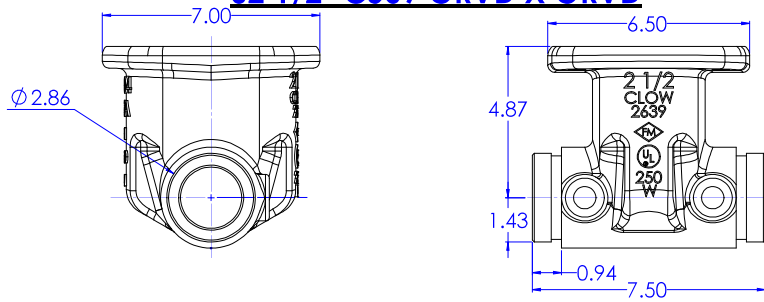
02 1/2" C509 THRD X THRD



02 1/2" C509 FLG X GRVD

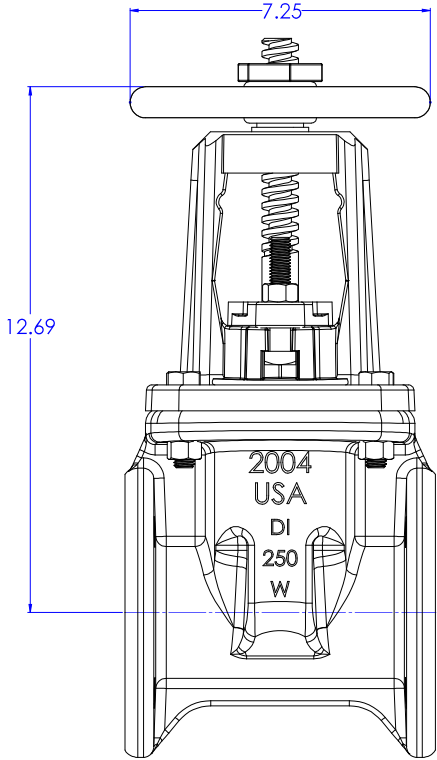
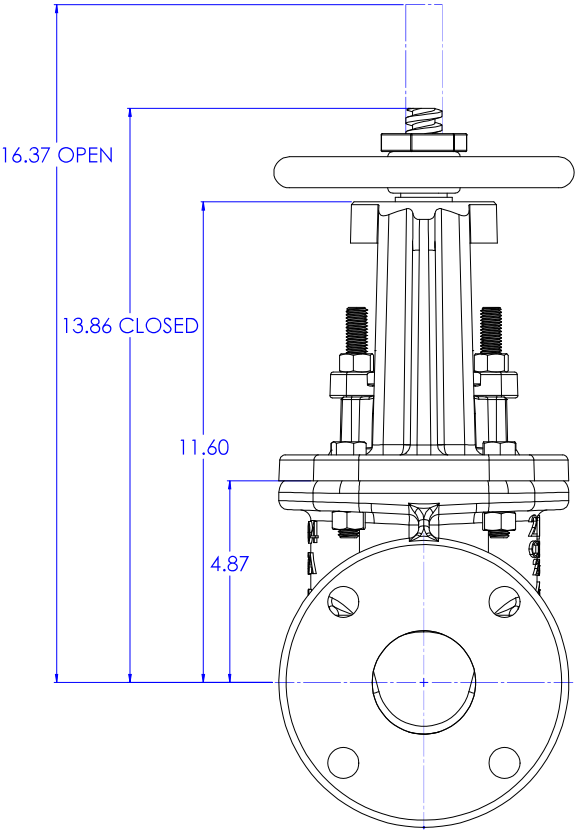


02 1/2" C509 GRVD X GRVD

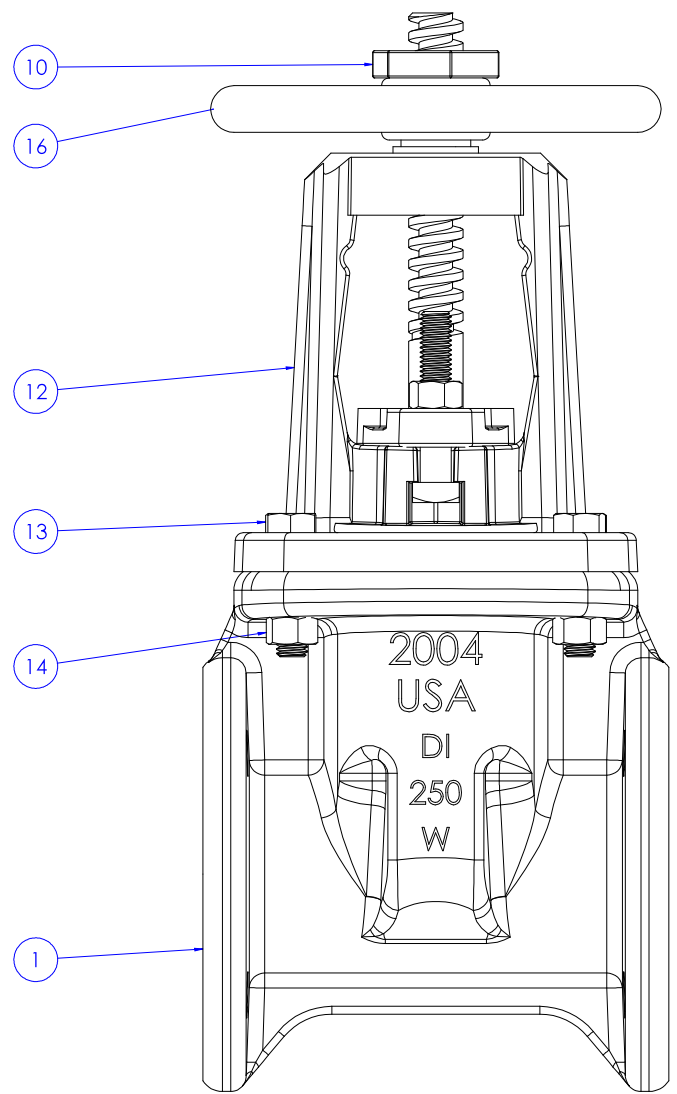
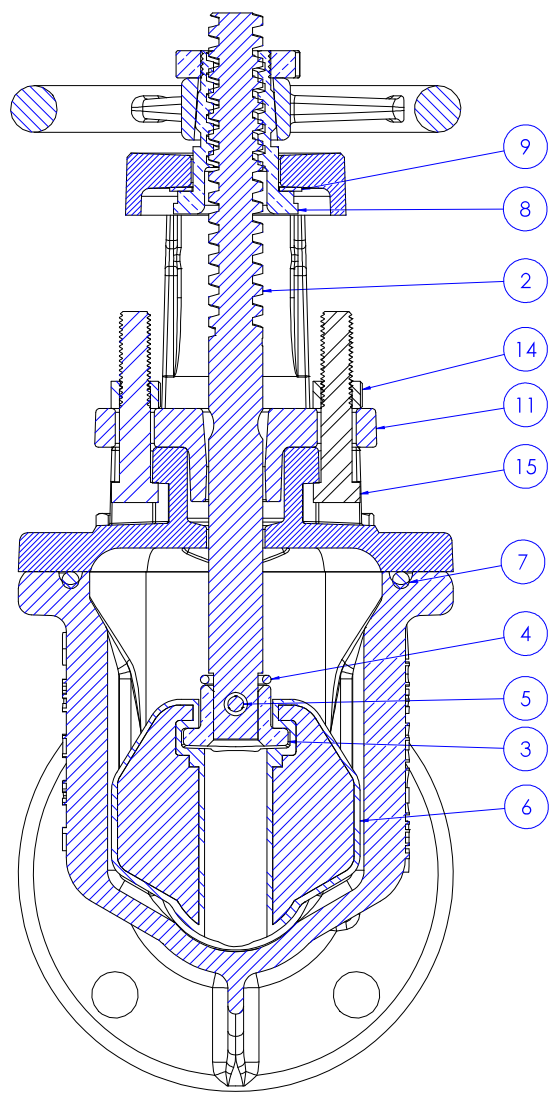


CLOW VALVE CO. 15015 W. 15th Street, Omaha, NE 68130 (402) 426-1000 www.clowvalve.com		02 1/2" C509 OS&Y RESILIENT LBS. WEDGE GATE VALVE T:2		CLW 021316-00
DATE: 12/1/2009 DWG NO: 12112009 REV: 0 DESIGNED BY: JRM CHECKED BY: JRM	DATE: 12/1/2009 DWG NO: 12112009 REV: 0 DESIGNED BY: JRM CHECKED BY: JRM	DATE: 12/1/2009 DWG NO: 12112009 REV: 0 DESIGNED BY: JRM CHECKED BY: JRM	DATE: 12/1/2009 DWG NO: 12112009 REV: 0 DESIGNED BY: JRM CHECKED BY: JRM	DATE: 12/1/2009 DWG NO: 12112009 REV: 0 DESIGNED BY: JRM CHECKED BY: JRM

OS&Y WITH HANDWHEEL



CLW CONSTRUCTION LOGIC WORKS		02 1/2" OS&Y RESILIENT WEDGE GATE VALVE		2 OF 5
DATE: 12/1/2009 DRAWN BY: CW CHECKED BY:	PROJECT: 15712009 SHEET: 1:5 SCALE:	WEIGHT: LBS. MATERIAL:	MANUFACTURER:	DRAWING NO.:



CLW CLW Valve Co.		02 1/2" CS&Y RESILIENT LBS. WEDGE GATE VALVE		3 5	D
DATE: 12/1/2020 DWG NO: 1271/2020	REV: 1 DATE: 12/1/2020	DRAWN BY: [Name] CHECKED BY: [Name]	SCALE: 1:5 MATERIAL: [Material]	WEIGHT: [Weight] DIMENSIONS: [Dimensions]	PROJECT: [Project]

<u>ITEM NO.</u>	<u>COMPONENT</u>	<u>QTY.</u>	<u>SIZE</u>	<u>STANDARD MATERIAL</u>	<u>MATERIAL OPTIONS</u>
1	BODY	1	-	CAST IRON	-
2	STEM	1	-	C65500 (LOW ZINC)	304 SS, 316 SS
3	STEM NUT	1	-	C87850	C87610 (LOW ZINC)
4	O-RING	1	#212	EPDM	BUNA-N
5	DRIVLOK PIN	1	1/4" X 1 1/4"	303 SS	-
6	WEDGE	1	-	EPDM/DUCTILE IRON	-
7	O-RING	1	#425	EPDM	BUNA-N
8	TOP STEM NUT	1	-	C86700	-
9	THRUST WASHER	1	-	ACETAL	C26000
10	HANDWHEEL NUT	1	-	C87850	C87610
11	GLAND	1	-	CAST IRON	-
12	COVER	1	-	CAST IRON	-
13	HEX HEAD CAP SCREW	4	1/2"-13 X 2"	18-8 SS	316 SS
14	HEX NUT	6	1/2"-13	18-8 SS	316 SS
15	SQUARE HEAD CAP SCREW	2	1/2"-13 X 2 3/4"	18-8 SS	316 SS
16	HANDWHEEL	1	7 1/4" DIA.	DUCTILE IRON	-

- VALVES CONFORM WITH THE FOLLOWING STANDARDS
 - NSF 61
- LOW ZINC BRASS STEM AVAILABLE
- 100% DOMESTIC FASTENERS AND ORINGS OPTIONS AVAILABLE
- *OPEN LEFT* (COUNTERCLOCKWISE) AND *OPEN RIGHT* (CLOCKWISE) OPTIONS AVAILABLE
- TURNS TO OPEN FROM FULLY CLOSED: 8
- AWWA MAXIMUM ALLOWABLE CLOSING TORQUE 28 FT-LB

<small>CLW VALVE CO. 12210000</small> <small>12210000</small>		<small>12210000</small>		<small>12210000</small>	
<small>DATE:</small> 12/1/2020 <small>TIME:</small> 10:00 AM <small>BY:</small> J. B. BROWN <small>APPROVED:</small> J. B. BROWN	<small>DATE:</small> 12/1/2020 <small>TIME:</small> 10:00 AM <small>BY:</small> J. B. BROWN <small>APPROVED:</small> J. B. BROWN	<small>DATE:</small> 12/1/2020 <small>TIME:</small> 10:00 AM <small>BY:</small> J. B. BROWN <small>APPROVED:</small> J. B. BROWN	<small>DATE:</small> 12/1/2020 <small>TIME:</small> 10:00 AM <small>BY:</small> J. B. BROWN <small>APPROVED:</small> J. B. BROWN	<small>DATE:</small> 12/1/2020 <small>TIME:</small> 10:00 AM <small>BY:</small> J. B. BROWN <small>APPROVED:</small> J. B. BROWN	<small>DATE:</small> 12/1/2020 <small>TIME:</small> 10:00 AM <small>BY:</small> J. B. BROWN <small>APPROVED:</small> J. B. BROWN
<small>02 1/2" CS09 OS&Y RESILIENT</small> <small>LBS. WEDGE GATE VALVE</small>			<small>1:5</small>		
<small>12/1/2020</small>			<small>5</small>		

CLW
VALVE CO.