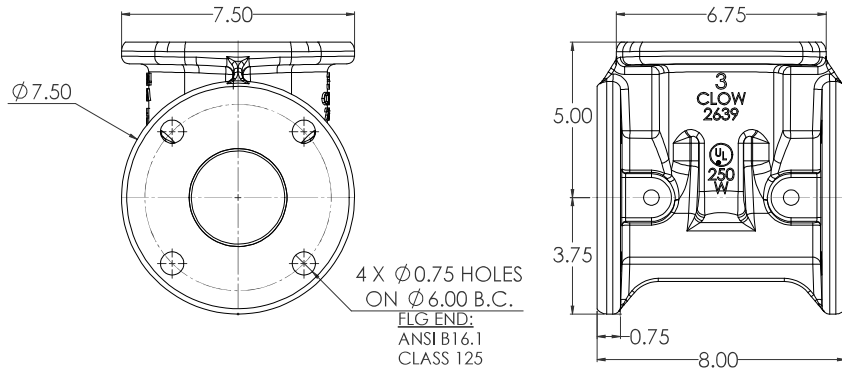
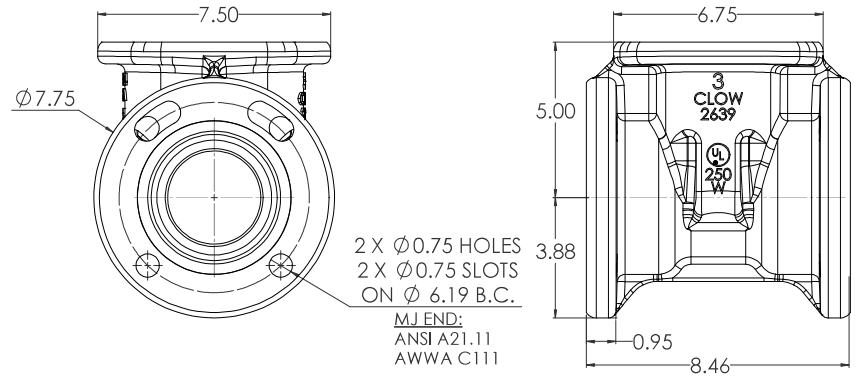


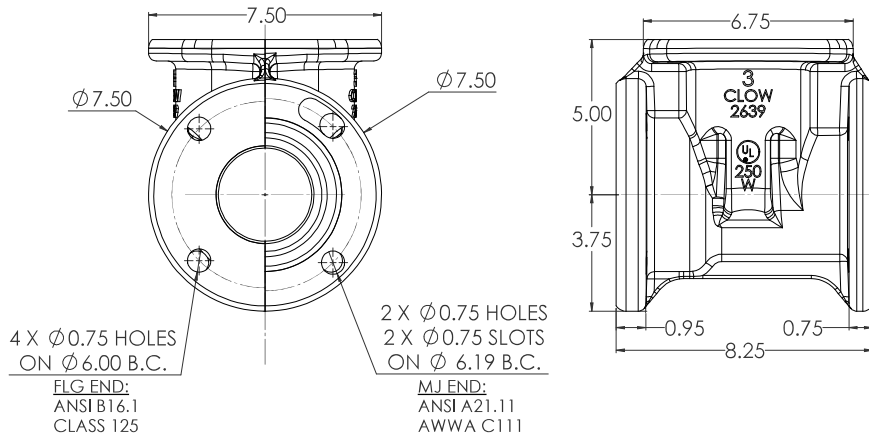
**03" C509 FLG X FLG**



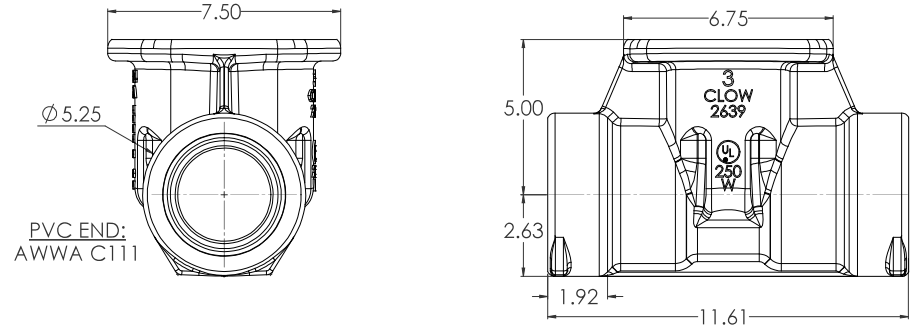
**03" C509 MJ X MJ**



**03" C509 FLG X MJ**

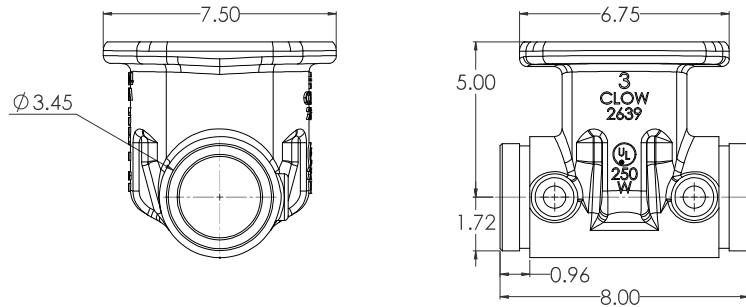


**03" C509 PVC X PVC**

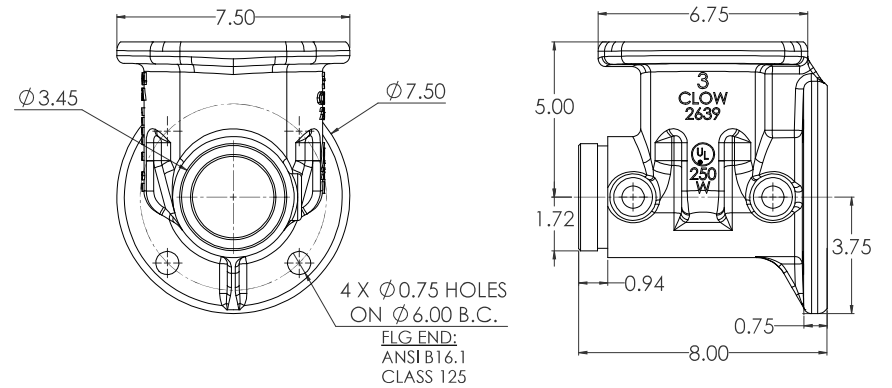


<b>REVISIONS</b> NO. DATE BY DESCRIPTION 1 12/1/2020 CW 12/1/2020		03" C509 NRS RESILIENT LBS. WEDGE GATE VALVE T:2	<b>CLW</b> 12/1/2020 6
---	--	--	------------------------------

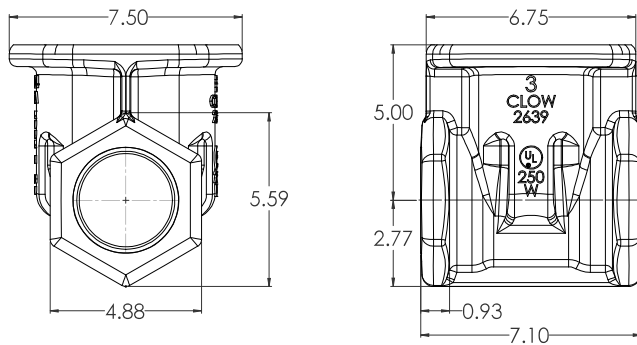
**03" C509 GRVD X GRVD**



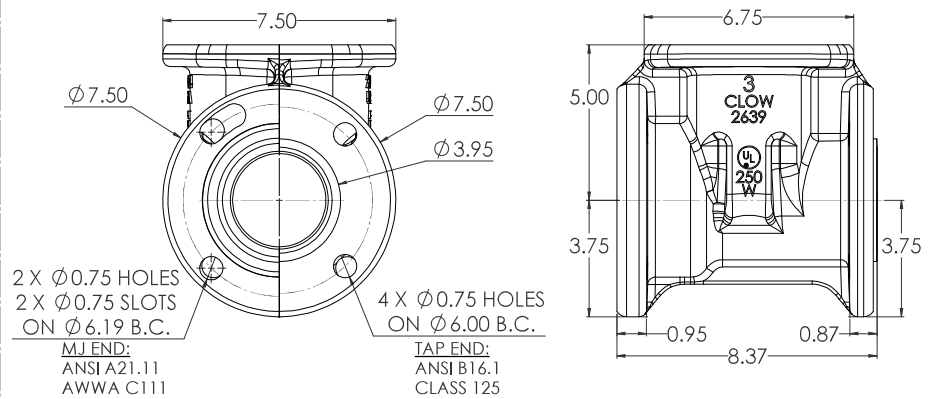
**03" C509 FLG X GRVD**



**03" C509 THRD X THRD**

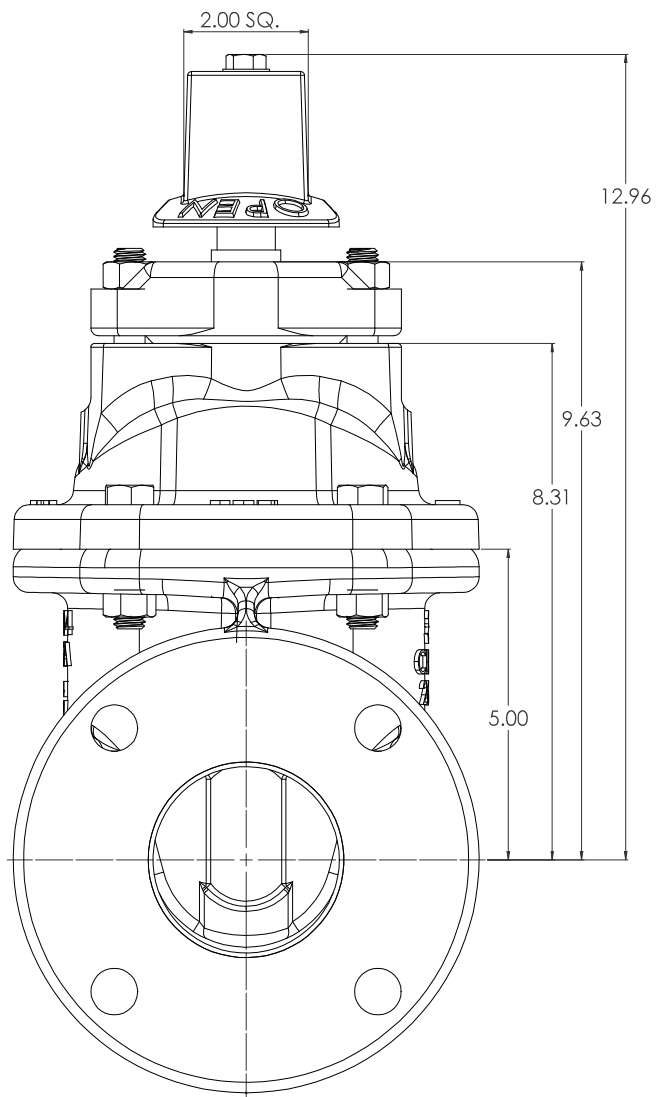


**03" C509 MJ X TAP**

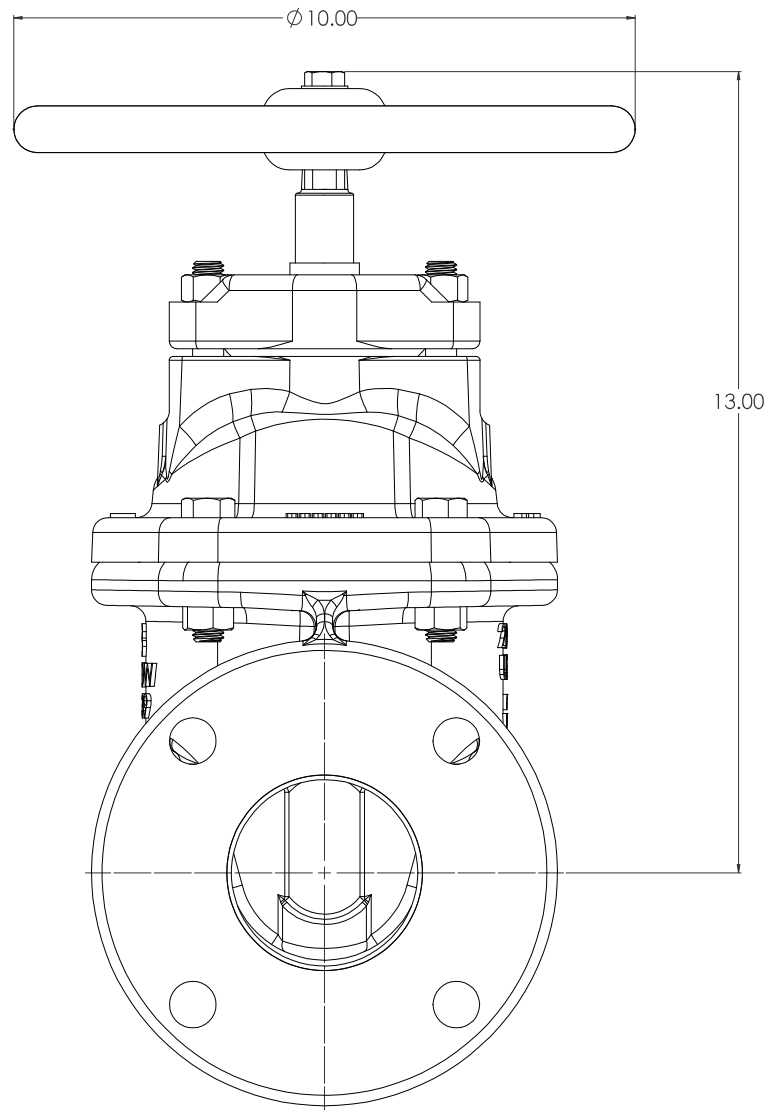


COMPANY: CLOW VALVE CO. ADDRESS: 1221 W. 12TH ST., CHICAGO, ILL. 60607 PHONE: (773) 399-2000 FAX: (773) 399-2001 E-MAIL: SALES@CLOWVALVE.COM WEBSITE: WWW.CLOWVALVE.COM		DRAWING NO.: 1221/2020 DATE: 12/1/2020 SCALE: 1:2 SHEET NO.: 2 OF 6		PROJECT NO.: PROJECT NAME: PROJECT LOCATION: PROJECT DESCRIPTION: PROJECT STATUS:	DRAWN BY: CHECKED BY: APPROVED BY: DATE:	TITLE: 03" C509 NRS RESILIENT LBS. WEDGE GATE VALVE SCALE: 1:2 SHEET NO.: 2 OF 6	CLOW VALVE CO. 2 D
--	--	--	--	---	---	--	--------------------------

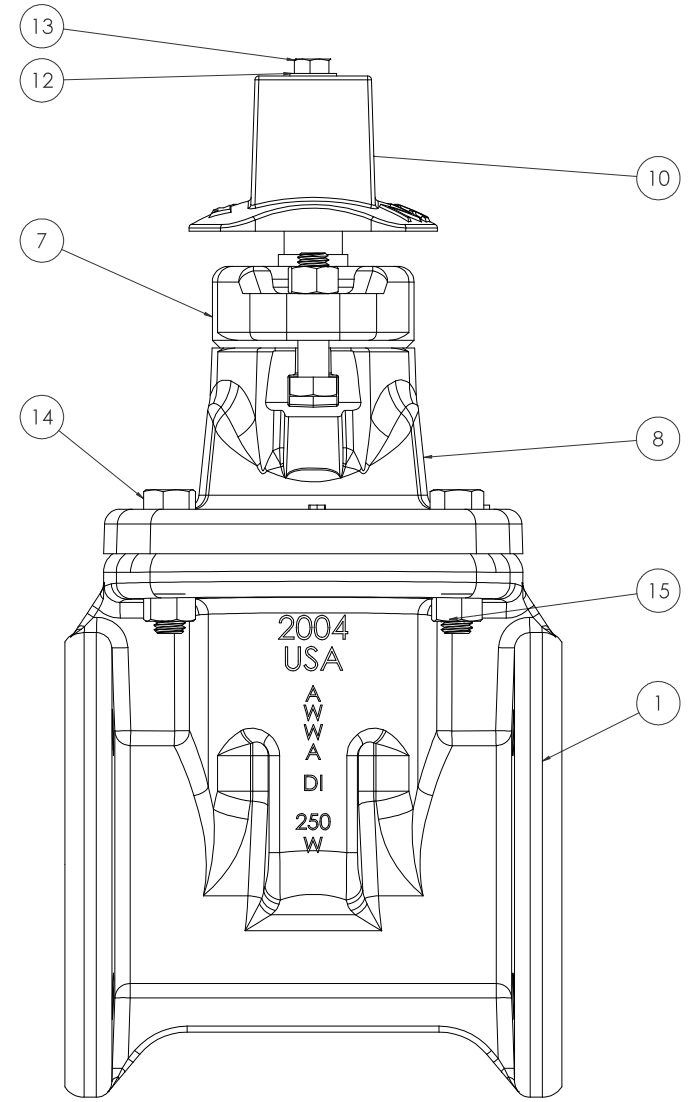
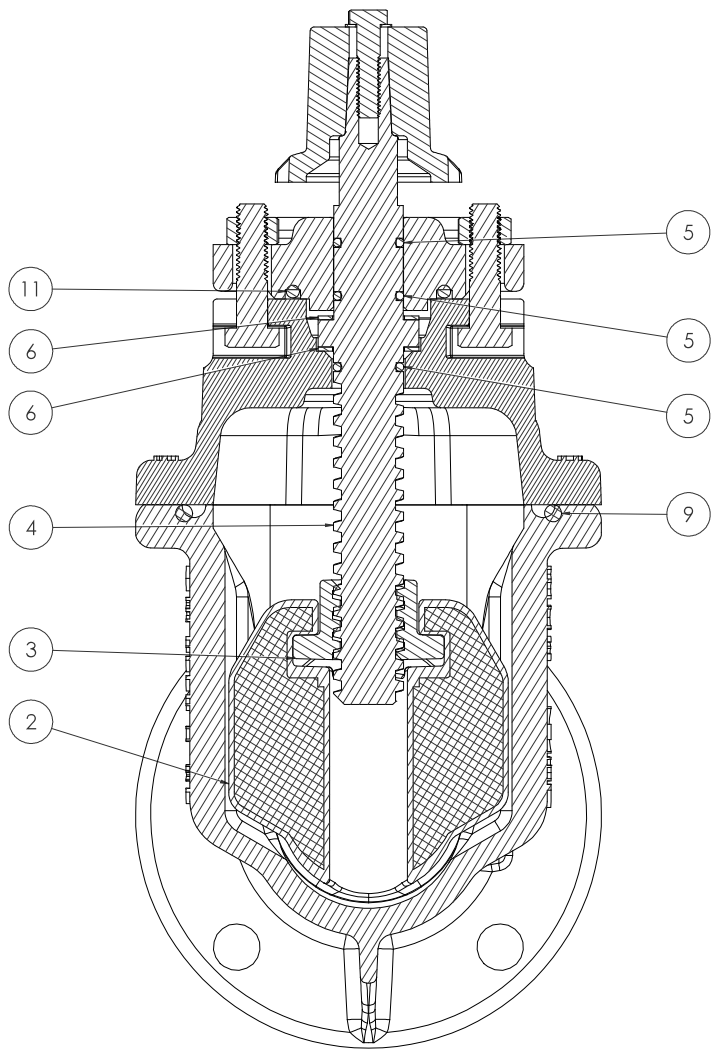
**NRS WITH OPERATING NUT**



**NRS WITH HANDWHEEL**



COMPANY: CLW ADDRESS: 1221 W. 12th St., Suite 100 Tulsa, Oklahoma 74103 PHONE: (918) 438-1234 FAX: (918) 438-1235 WWW: www.clw.com		PROJECT: 03" C509 NRS RESILIENT LBS. WEDGE GATE VALVE T:5 12/1/2020		SHEET: 3 TOTAL: 6 DRAWN: D	
DATE: 12/1/2020 DRAWN: CW CHECKED: [blank] APPROVED: [blank]	PART: 03" C509 NRS RESILIENT LBS. WEDGE GATE VALVE T:5 12/1/2020	WEIGHT: 100 VOLUME: 100 MATERIAL: 100 FINISH: 100	QUANTITY: 100 UNIT: 100 PRICE: 100 TOTAL: 100	SCALE: 1:5 SHEET: 3 TOTAL: 6	DRAWN: D CHECKED: [blank] APPROVED: [blank]



<b>CLW</b> CONSTRUCTION LUBRICATING WORKS 1271/2020		03" C509 NRS RESILIENT WEDGE GATE VALVE		4 6	<b>CLW</b> CONSTRUCTION LUBRICATING WORKS
DATE: 11/20/20 DWG NO: 1271/2020 REV: 0 SCALE: 1:5 SHEET NO: 1 OF 1	PROJECT NO: 1271/2020 PROJECT NAME: 03" C509 NRS RESILIENT WEDGE GATE VALVE CLIENT: SOLIDWORKS 2016 SP2	DRAWN BY: [Name] CHECKED BY: [Name] APPROVED BY: [Name]	MATERIAL: A WEIGHT: 4 PART NO: 6	1:5	1271/2020

<u>ITEM NO.</u>	<u>COMPONENT</u>	<u>QTY.</u>	<u>SIZE</u>	<u>STANDARD MATERIAL</u>	<u>MATERIAL OPTIONS</u>
1	BODY	1	-	CAST IRON	DUCTILE IRON
2	WEDGE	1	-	EPDM/DUCTILE IRON	-
3	STEM NUT	1		C87850	C87610 (LOW ZINC)
4	STEM	1	-	C86700	C86200, C99500 (LOW ZINC), 304 SS, 316 SS
5	O-RING	3	#212	EPDM	BUNA-N
6	THRUST WASHER	2	-	ACETAL	C26000
7	O-RING PLATE	1	-	DUCTILE IRON	-
8	COVER	1	-	CAST IRON	DUCTILE IRON
9	O-RING	1	#427	EPDM	BUNA-N
10	OPERATING NUT	1	-	CAST IRON	DUCTILE IRON, C86700, **10" DIA. HANDWHEEL**
11	O-RING	1	#331	EPDM	BUNA-N
12	WASHER	1	3/8"	18-8 SS	316 SS
13	HEX HEAD CAP SCREW	1	3/8"-16 X 1 1/2"	18-8 SS	316 SS
14	HEX HEAD CAP SCREW	6	1/2"-13 X 2"	18-8 SS	316 SS
15	HEX NUT	6	1/2"-13	18-8 SS	316 SS

- VALVES CONFORM WITH THE FOLLOWING STANDARDS
  - AWWA C509
  - NSF 61
- LOW ZINC BRASS STEM AND STEM NUT AVAILABLE
- 100% DOMESTIC FASTENERS AND ORINGS OPTIONS AVAILABLE
- *OPEN LEFT* (COUNTERCLOCKWISE) AND *OPEN RIGHT* (CLOCKWISE) OPTIONS AVAILABLE
- TURNS TO OPEN FROM FULLY CLOSED: 9
- AWWA MAXIMUM ALLOWABLE TORQUE TO CLOSE 52 FT-LB
- OPTIONAL HANDWHEEL CAN BE SUBSTITUTED FOR STANDARD 2" SQUARE OP NUTS.
  - **\*\*NOTE: STANDARD HANDWHEELS SIZE CALLED OUT IN PARTS LIST.\*\***

<small>CLW</small> <small>CLW</small>		<small>03' C509 NRS RESILIENT WEDGE GATE VALVE</small>		<small>5</small>	<small>6</small>
<small>DATE</small> <small>REV</small> <small>APP</small> <small>CHK</small> <small>BY</small>	<small>DATE</small> <small>REV</small> <small>APP</small> <small>CHK</small> <small>BY</small>	<small>DATE</small> <small>REV</small> <small>APP</small> <small>CHK</small> <small>BY</small>	<small>DATE</small> <small>REV</small> <small>APP</small> <small>CHK</small> <small>BY</small>	<small>DATE</small> <small>REV</small> <small>APP</small> <small>CHK</small> <small>BY</small>	<small>DATE</small> <small>REV</small> <small>APP</small> <small>CHK</small> <small>BY</small>
<small>12/1/2020</small>			<small>1:5</small>	<small>5</small>	