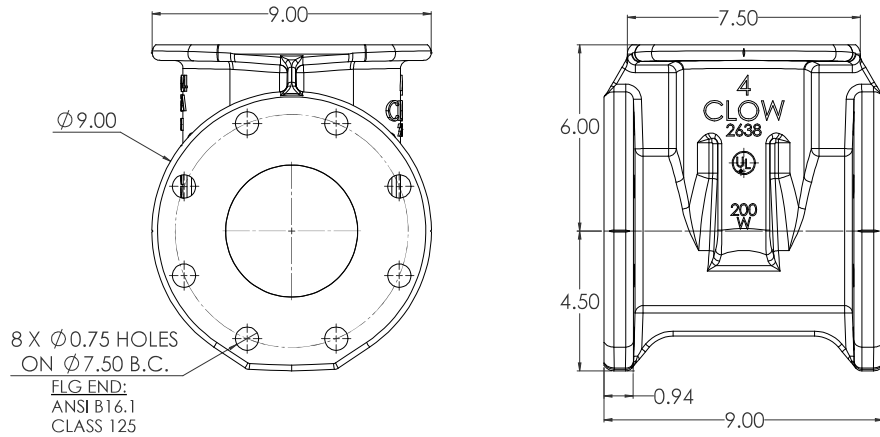
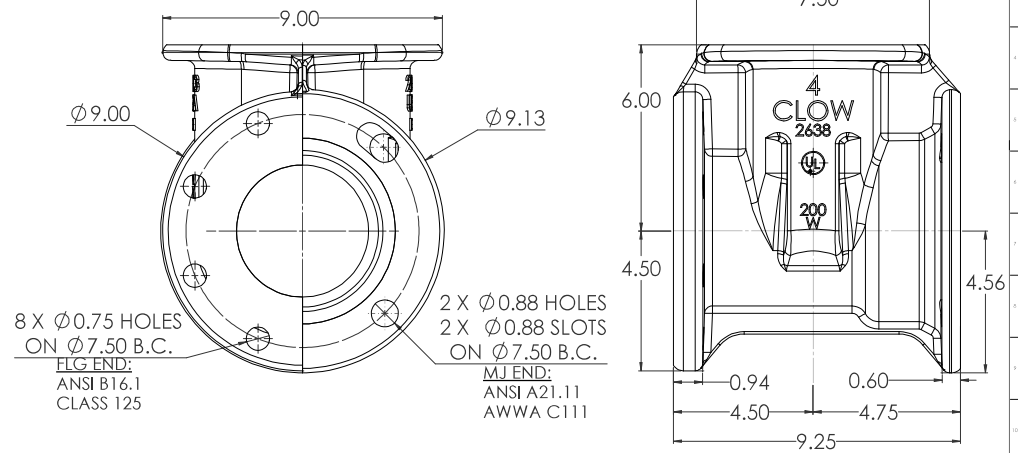


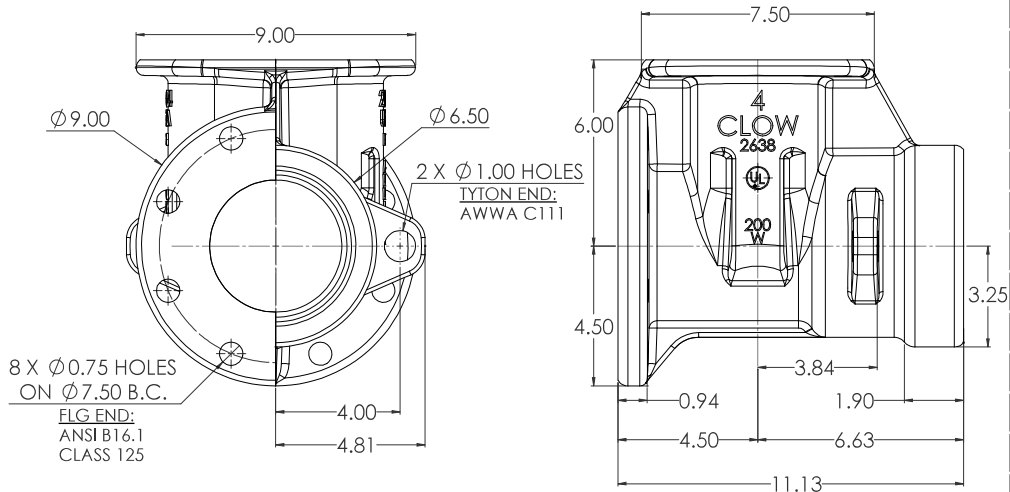
**04" C515 FLG X FLG**



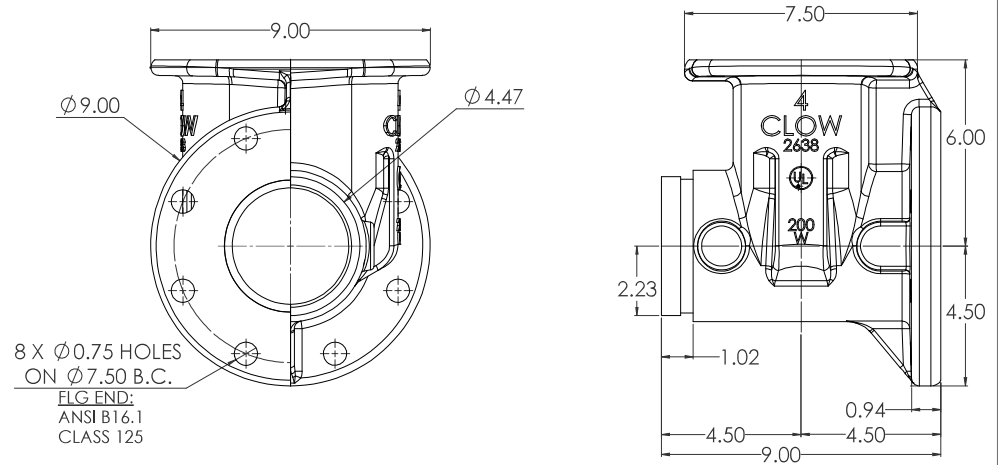
**04" C515 FLG X MJ**



**04" C515 FLG X TYTON**

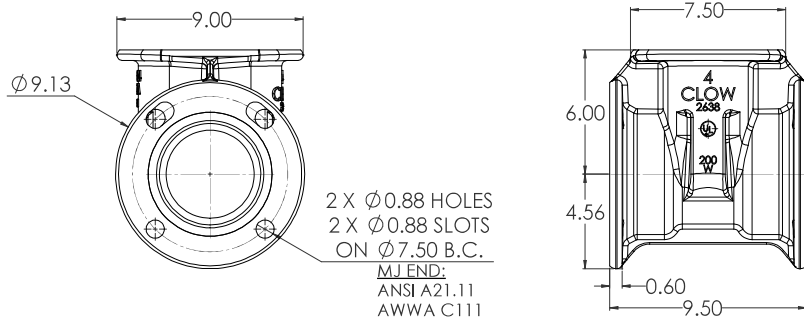


**04" C515 FLG X GRVD**

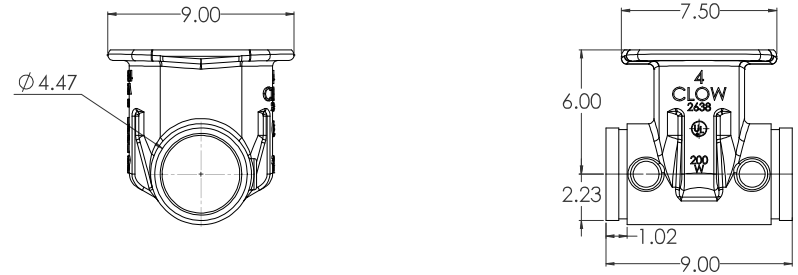


COMPANY: CLOW VALVE CO. ADDRESS: 1000 W. 10TH ST., ST. LOUIS, MO. 63102 PHONE: (314) 431-1000 FAX: (314) 431-1001 E-MAIL: SALES@CLOWVALVE.COM WEBSITE: WWW.CLOWVALVE.COM	DRAWING NO.: 04" C515 FLG X FLG REV: 1 DATE: 10/01/2020 DWG NO.: 04" C515 FLG X FLG REV: 1 DATE: 10/01/2020	PROJECT NO.: PROJECT NAME: DRAWING TITLE: SCALE: 1:2 SHEET NO.: 6 TOTAL SHEETS: 6	CLOW VALVE CO. 04" C515 NRS RESILIENT WEDGE GATE VALVE LBS.
---	--	--	---

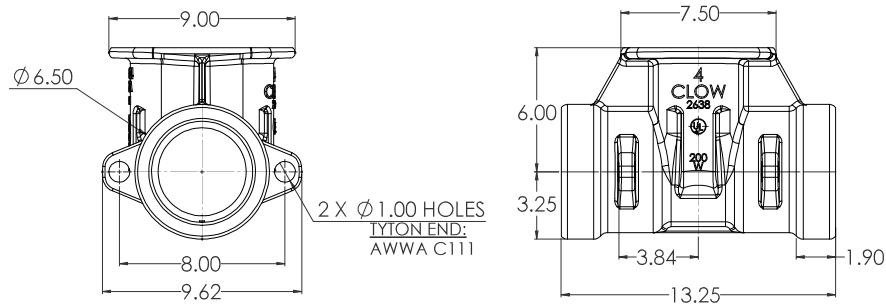
**04" C515 MJ X MJ**



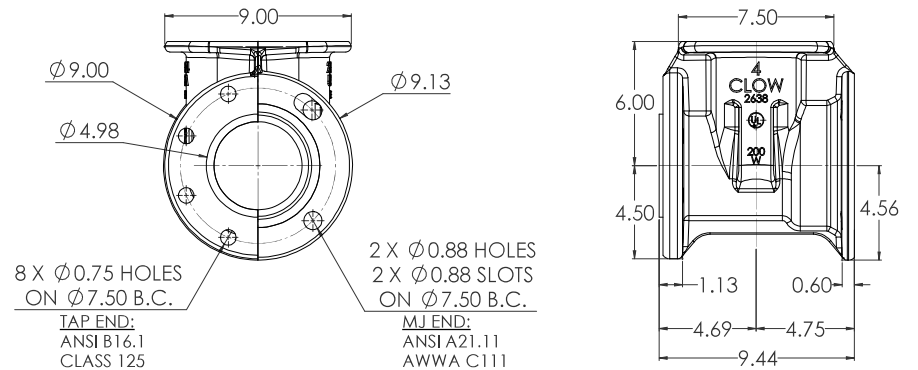
**04" C515 GRVD X GRVD**



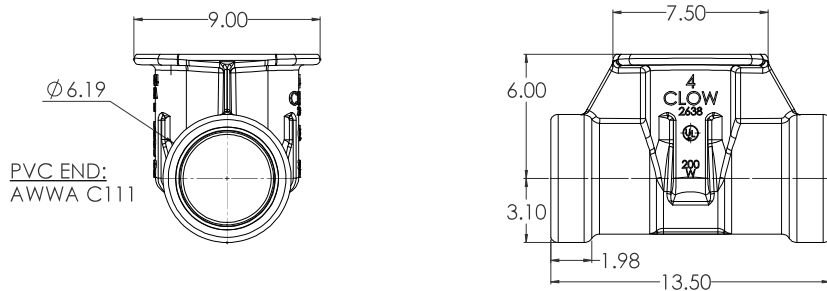
**04" C515 TYTON X TYTON**



**04" C515 MJ X TAP**

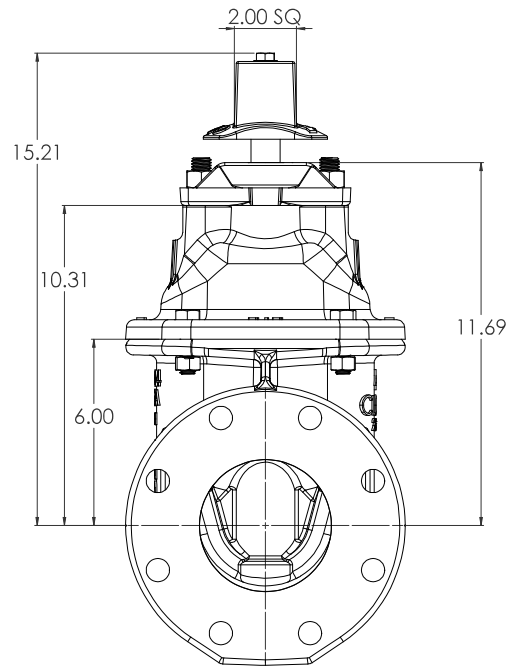


**04" C515 PVC X PVC**

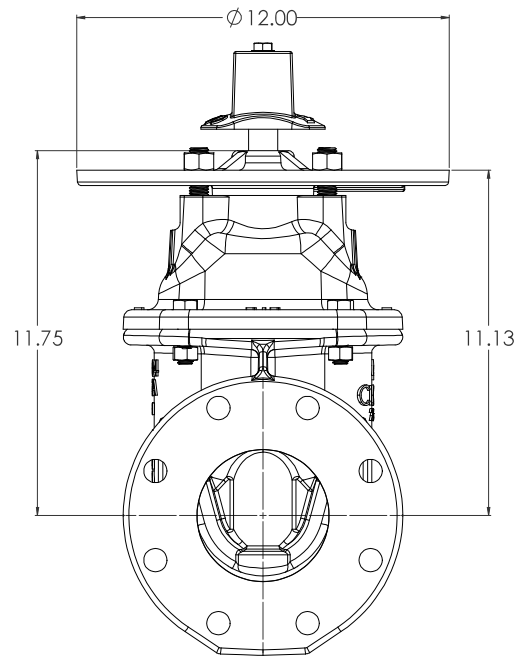


CLOW VALVE CO. 10000 W. 100th St., Minneapolis, MN 55426 612-835-2200 FAX: 612-835-2201 WWW.CLOWVALVE.COM		PROJECT: 04" C515 NRS RESILIENT LBS. WEDGE GATE VALVE DRAWING NO: 10001203X DATE: 10/01/2020		SCALE: 1:3 SHEET NO: 6 TOTAL SHEETS: 6	CLOW VALVE CO. 2 D
---	--	--	--	--	--------------------------

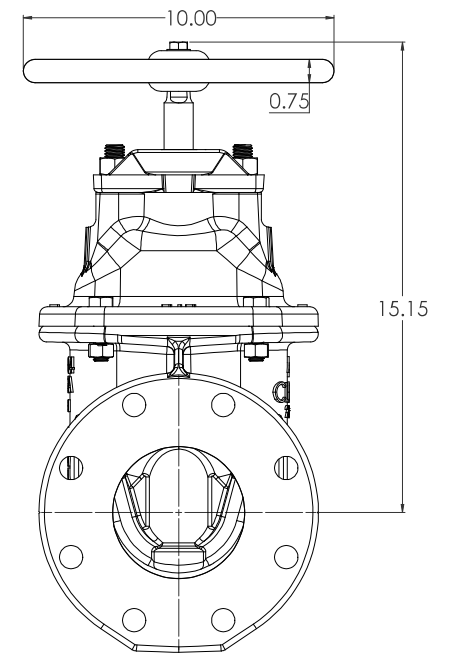
**OPERATING NUT WITH  
O-RING PLATE**



**OPERATING NUT WITH  
INDICATOR POST PLATE**



**HANDWHEEL WITH  
O-RING PLATE**



<b>CLW</b> CLW Valve Co.		04" C515 NRS RESILIENT LBS. WEDGE GATE VALVE		3 6	D
DATE: 11/01/2020 BY: J. W. [unreadable] CHECKED: [unreadable] APPROVED: [unreadable]	PROJECT: [unreadable]	SCALE: 1:5	SHEET: 6	TOTAL SHEETS: 6	DRAWN BY: [unreadable]



<u>ITEM NO.</u>	<u>COMPONENT</u>	<u>QTY.</u>	<u>SIZE</u>	<u>STANDARD MATERIAL</u>	<u>MATERIAL OPTIONS</u>
1	BODY	1	-	DUCTILE IRON	-
2	COVER	1	-	DUCTILE IRON	-
3	STEM	1	-	C86200	C99500 (LOW ZINC), 304 SS, 316 SS
4	THRUST WASHER	2	-	ACETAL	C26000
5	O-RING	3	#212	EPDM	BUNA-N
6	WEDGE	1	-	EPDM/DUCTILE IRON	-
7	D-21527	1			
8	O-RING	1	#437	EPDM	BUNA-N
9	O-RING	1	#331	EPDM	BUNA-N
10	O-RING PLATE	1	-	DUCTILE IRON	-
11	STEM NUT	1	-	C87850	C87610 (LOW ZINC)
12	OPERATING NUT	1	-	CAST IRON	DUCTILE IRON, C86700, **10" DIA. HANDWHEEL**
13	HEX HEAD CAP SCREW	4	5/8"-11 X 1 3/4"	18-8 SS	316 SS
14	HEX NUT	4	1/2"-13	18-8 SS	316 SS
15	HEX HEAD CAP SCREW	2	5/8"-11 X 2"	18-8 SS	316 SS
16	HEX NUT	2	5/8"-11	18-8 SS	316 SS
17	HEX HEAD CAP SCREW	1	3/8"-16 X 1 1/2"	18-8 SS	316 SS
18	WASHER	1	3/8"	18-8 SS	316 SS

- VALVES CONFORM WITH THE FOLLOWING STANDARDS
  - AWWA C515
  - NSF 61
- LOW ZINC BRASS STEM AND STEM NUT AVAILABLE
- 100% DOMESTIC FASTENERS AND ORINGS OPTIONS AVAILABLE
- *OPEN LEFT* (COUNTERCLOCKWISE) AND *OPEN RIGHT* (CLOCKWISE) OPTIONS AVAILABLE
- TURNS TO OPEN FROM FULLY CLOSED: 12
- AWWA MAXIMUM ALLOWABLE CLOSING TORQUE 75 FT-LBS
- OPTIONAL HANDWHEEL CAN BE SUBSTITUTED FOR STANDARD 2" SQUARE OP. NUTS.
  - \*\*NOTE: STANDARD HANDWHEEL SIZE LISTED OUT IN PARTS LIST.\*\*

<small>           COMPANY: CLW            ADDRESS: 10000 W. 10TH AVE., SUITE 100            DENVER, CO 80231            PHONE: 303.440.1000            FAX: 303.440.1001            WWW: WWW.CLW.COM         </small>		<small>           PROJECT: 04" C515 NRS RESILIENT LBS. WEDGE GATE VALVE            DATE: 10/01/2020            DRAWN BY: T10            CHECKED BY: S         </small>		<small>           SHEET NO. 5            TOTAL SHEETS 6         </small>
<small>           PROJECT: 04" C515 NRS RESILIENT LBS. WEDGE GATE VALVE            DATE: 10/01/2020            DRAWN BY: T10            CHECKED BY: S         </small>			<small>           SHEET NO. 5            TOTAL SHEETS 6         </small>	