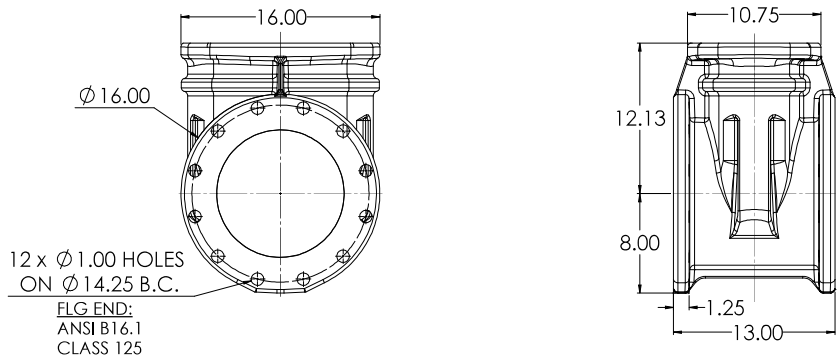
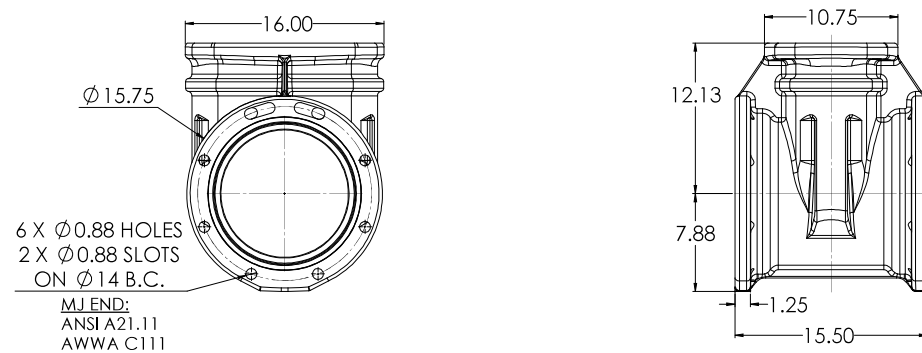


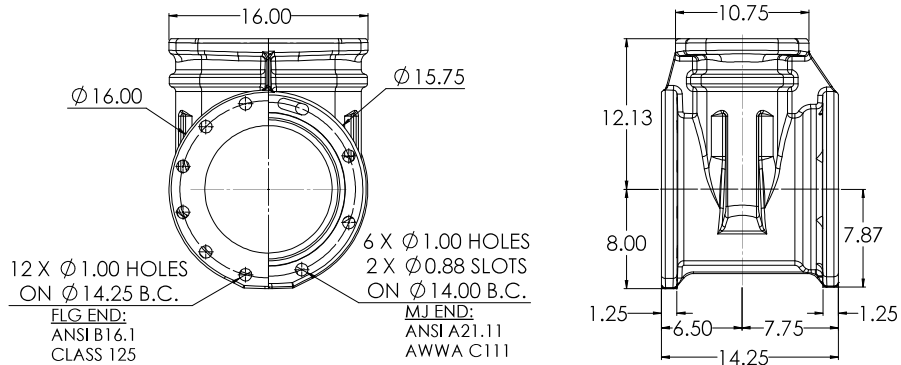
**10" C509 FLG X FLG**



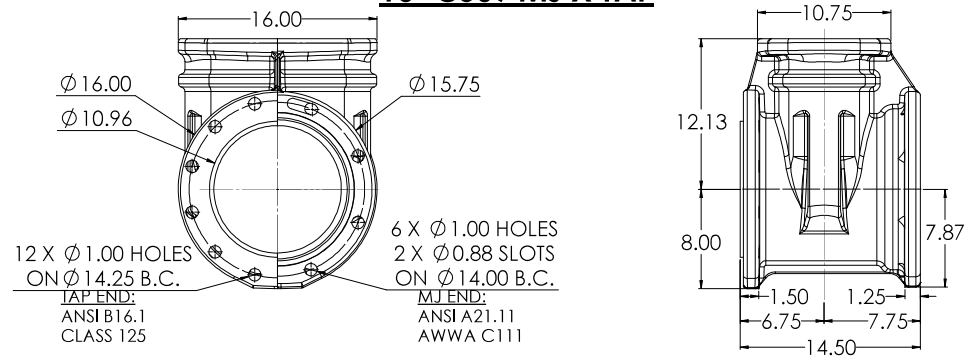
**10" C509 MJ X MJ**



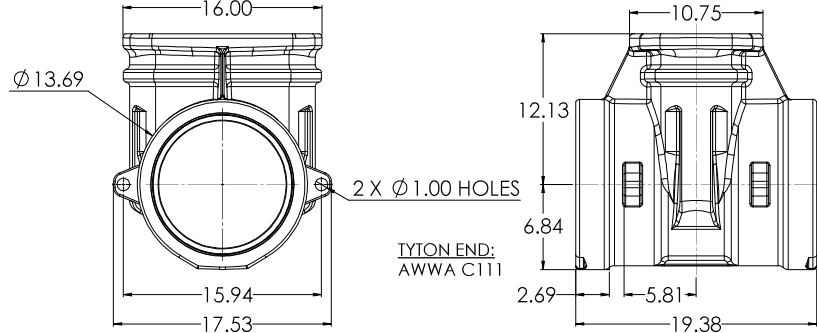
**10" C509 FLG X MJ**



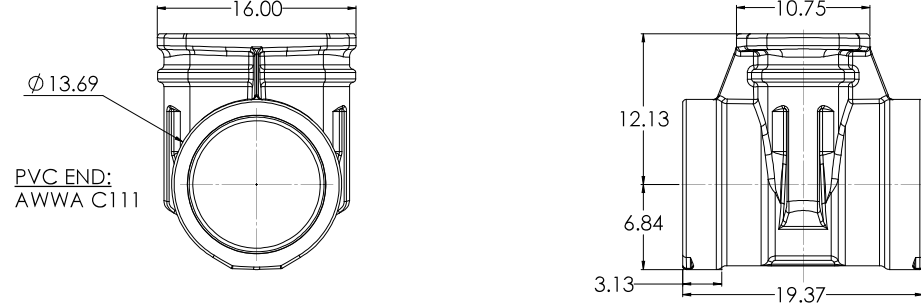
**10" C509 MJ X TAP**



**10" C509 TYTON X TYTON**

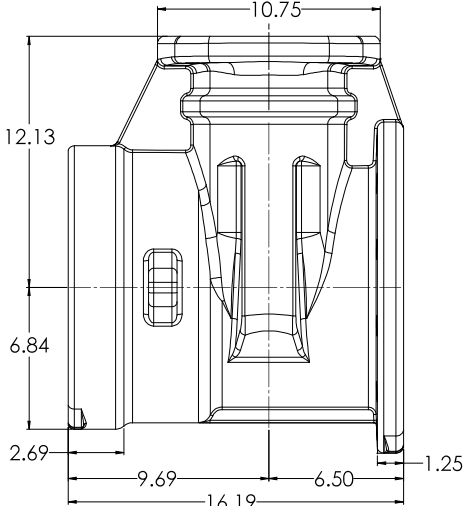
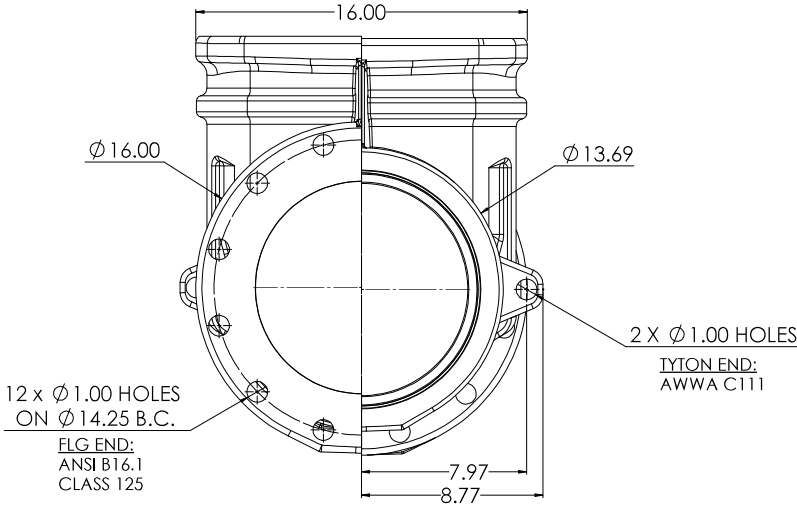


**10" C509 PVC X PVC**



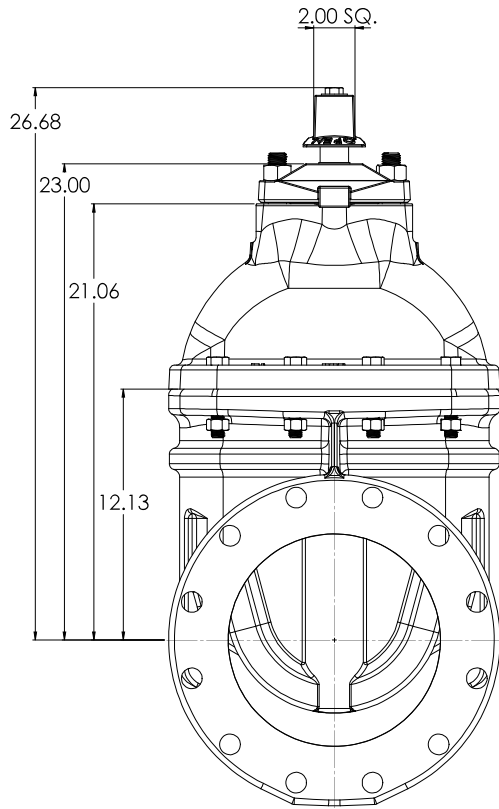
COMPANY: CLW ADDRESS: 11111 CITY: 11111 STATE: 11111 COUNTRY: 11111	PROJECT: 10" C509 NRS RESILIENT WEDGE GATE VALVE LBS: 11111 T: 11111	DATE: 12/20/2020 DRAWN BY: 11111 CHECKED BY: 11111 APPROVED BY: 11111	SHEET NO: 6 TOTAL SHEETS: 6 PROJECT NO: 11111
---	--	--	---

### 10" C509 FLG X TYTON

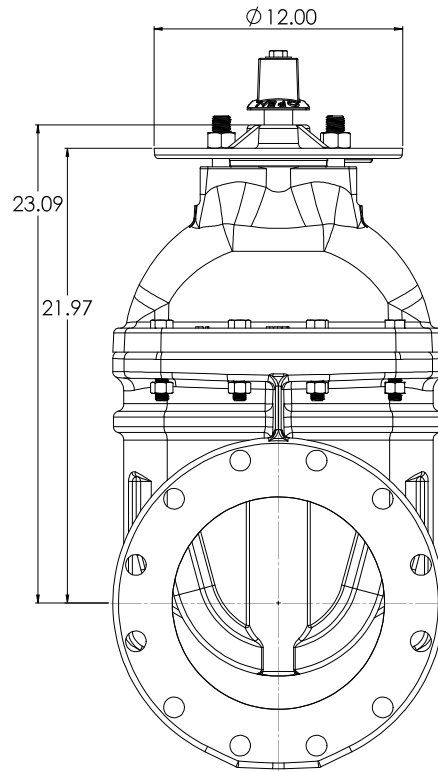


<b>CLW</b> <small>CONSTRUCTION LOGIC WORKS</small>		<small>DESIGNED BY: J. J. JONES</small> <small>DRAWN BY: J. J. JONES</small> <small>CHECKED BY: J. J. JONES</small> <small>DATE: 12/22/2020</small>		<small>PROJECT NO:</small> <small>SCALE:</small>		<small>DATE:</small>		<small>REV:</small>		<small>APPR:</small>	
<small>DESCRIPTION:</small> 10" C509 NRS RESILIENT WEDGE GATE VALVE		<small>QUANTITY:</small> 1		<small>UNIT:</small> LBS		<small>SCALE:</small> 1:5		<small>DATE:</small> 12/22/2020		<small>REV:</small> 2	
<small>PROJECT:</small> GATE VALVE		<small>SCALE:</small> 1:5		<small>DATE:</small> 12/22/2020		<small>REV:</small> 2		<small>APPR:</small> J. J. JONES		<small>DATE:</small> 12/22/2020	

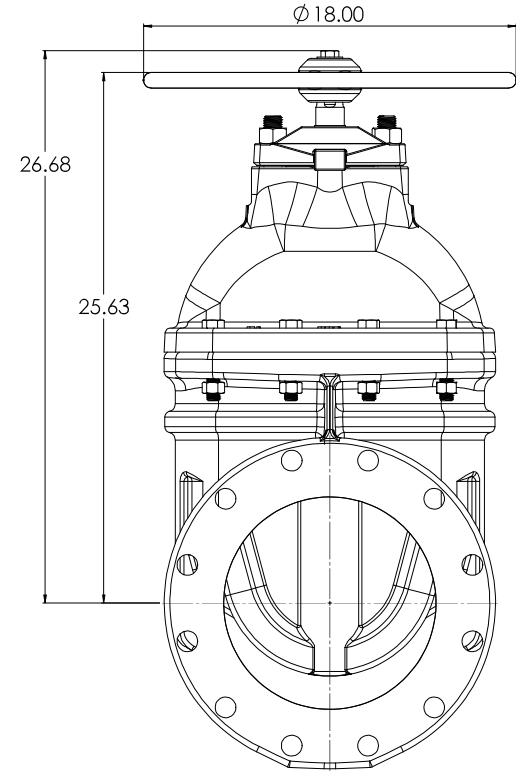
**OPERATING NUT WITH  
O-RING PLATE**



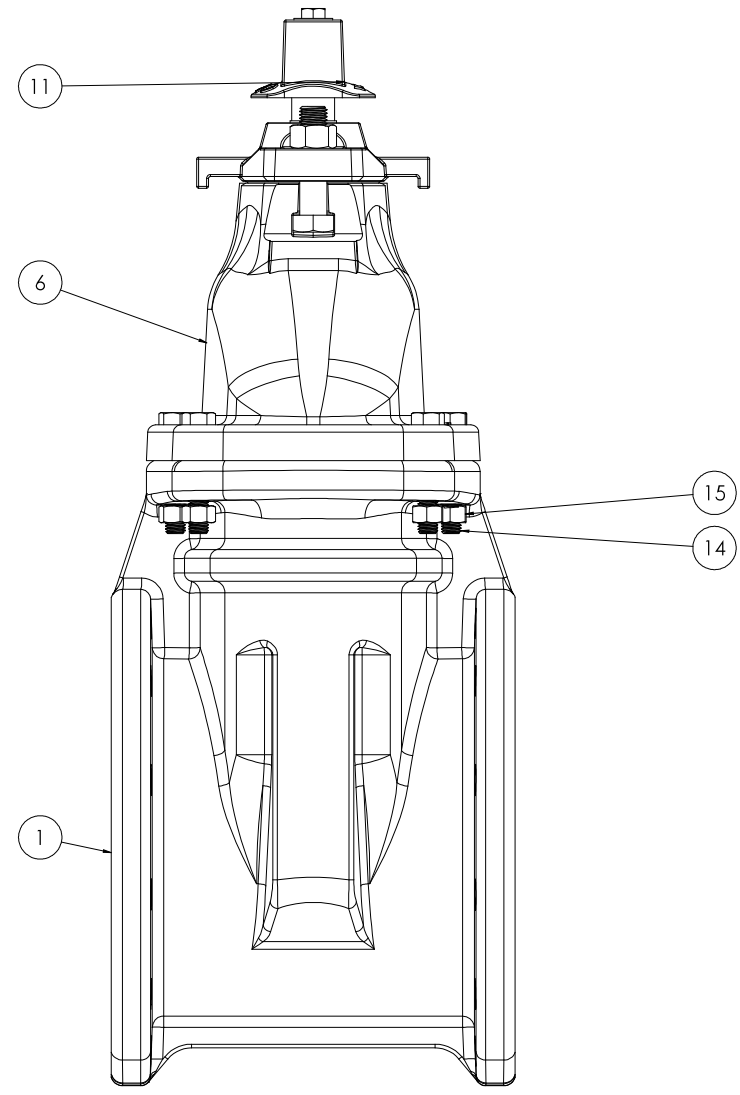
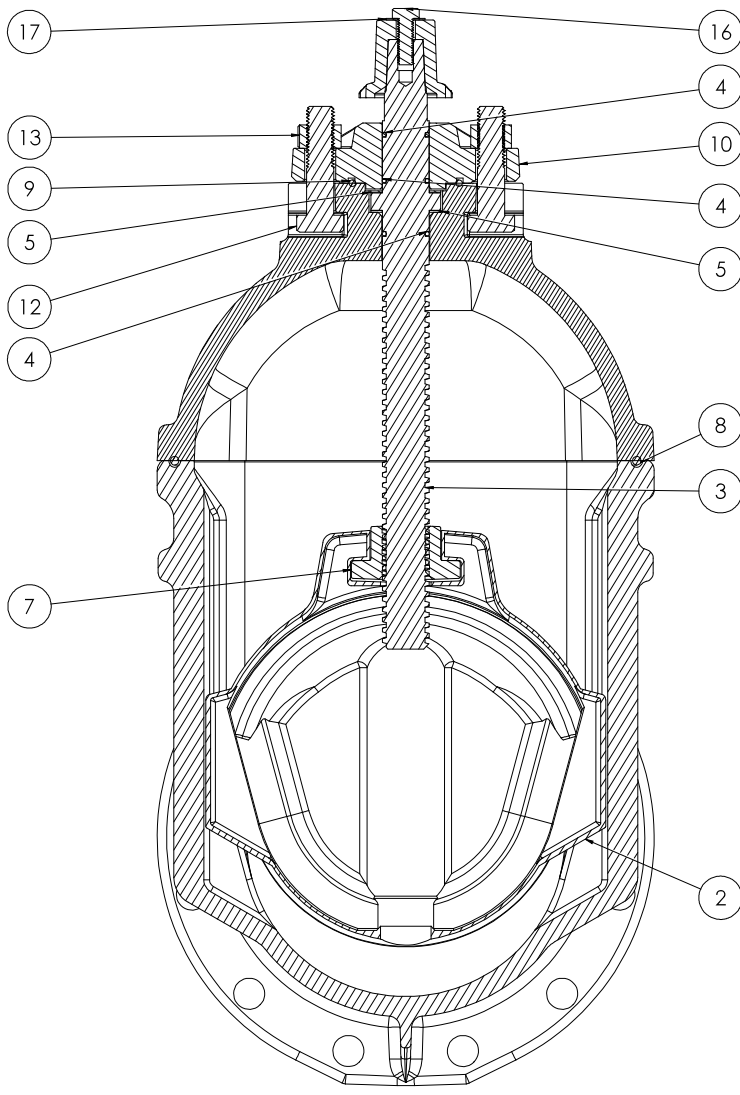
**OPERATING NUT WITH  
INDICATOR POST PLATE**



**HANDWHEEL WITH  
O-RING PLATE**



<b>CLW</b> CLW Valve Co.		10' C509 NRS RESILIENT WEDGE GATE VALVE		3 6	D
DATE: 12/22/2020 DWG NO: 21007 REV: 1 DESIGNED BY: JG CHECKED BY: JG	PROJECT NO: 152/2020 SCALE: 1:5 SHEET NO: 3 TOTAL SHEETS: 6	DRAWN BY: JG DATE: 12/22/2020	PROJECT: 10' C509 NRS RESILIENT WEDGE GATE VALVE LBS.	3 6	D



<b>CLW</b> CONSTRUCTION LUBRICANTS WORKS 10000 W. 10th St., Suite 100 Omaha, NE 68144 (402) 426-1100 www.clw.com		10' C509 NRS RESILIENT WEDGE GATE VALVE		4 6	<b>CLW</b> CONSTRUCTION LUBRICANTS WORKS
DATE: 12/29/2020 DWG NO: 10000-001-001-001 REV: 1 SCALE: 1:5 DRAWN BY: CW	APPROVED BY: [Signature] DATE: 12/29/2020 SCALE: 1:5 CHECKED BY: [Signature]	MATERIAL: C509 NRS WEIGHT: 100 LBS DIMENSIONS: 10" x 10" x 10"	PART NO: 10000-001-001-001 QTY: 1 UNIT: LBS	SHEET NO: 4 TOTAL SHEETS: 6	PROJECT NO: 12/29/2020 DRAWING NO: 10000-001-001-001 SCALE: 1:5 DATE: 12/29/2020

