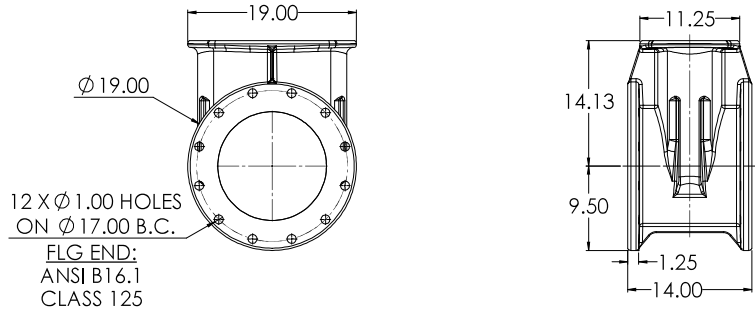
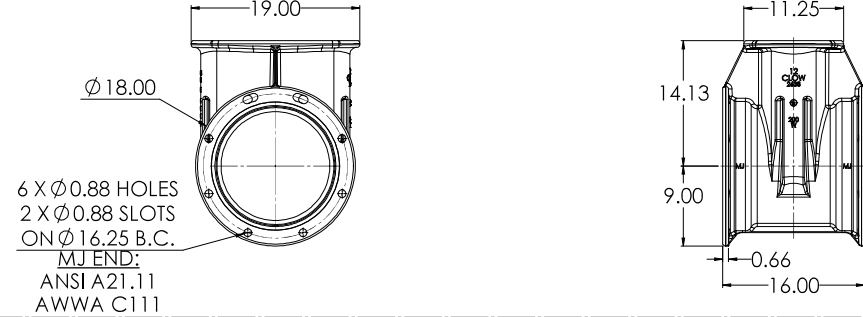


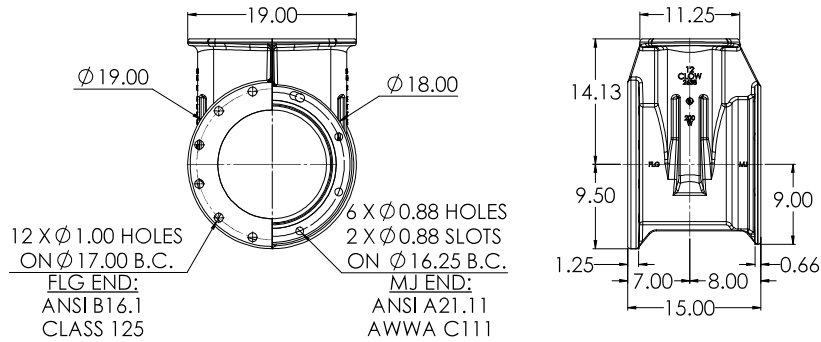
12" C515 FLG X FLG



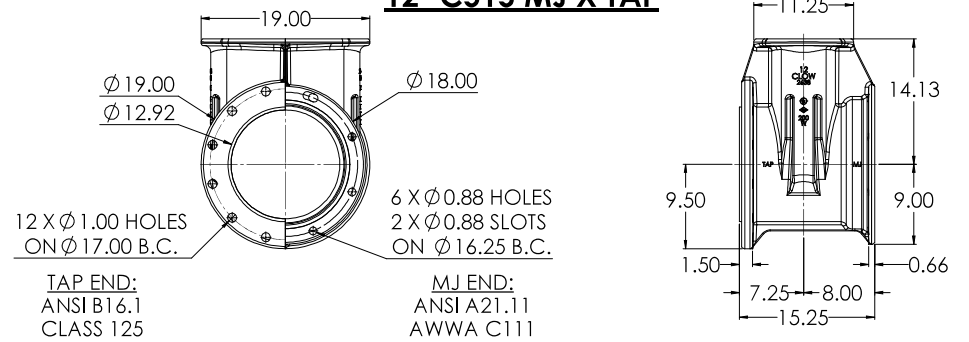
12" C515 MJ X MJ



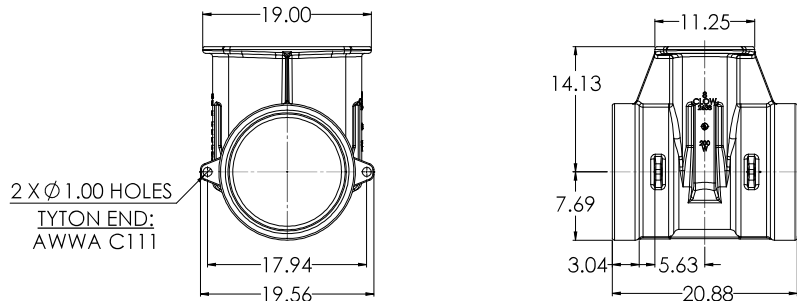
12" C515 FLG X MJ



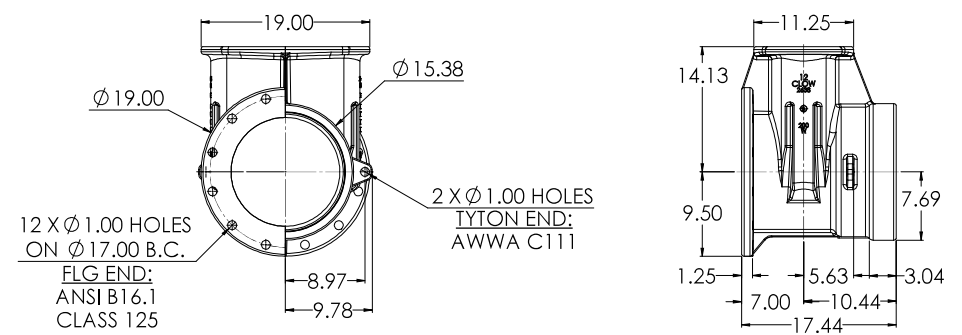
12" C515 MJ X TAP



12" C515 TYTON X TYTON

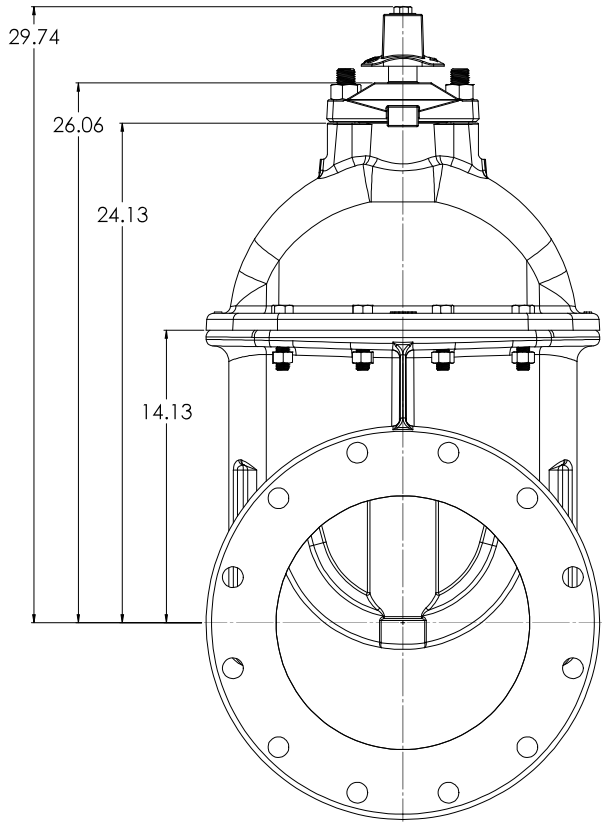


12" C515 FLG X TYTON

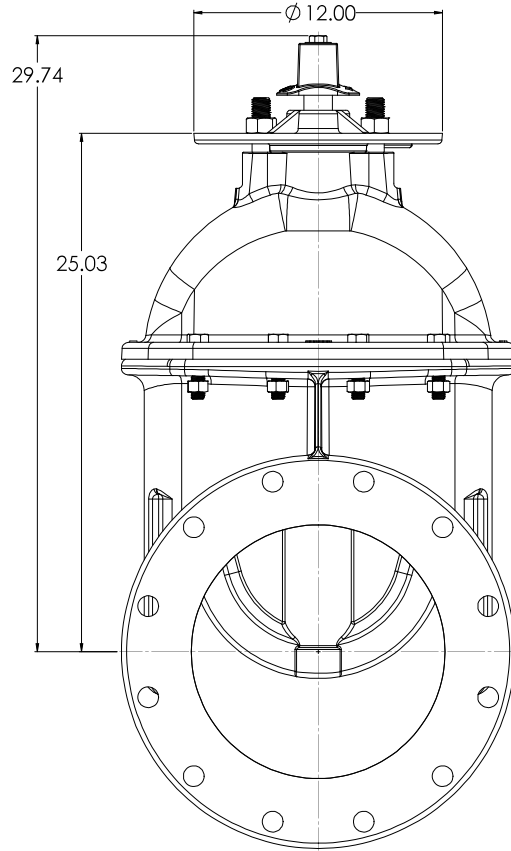


COMPANY: CLW ADDRESS: 12345 INDUSTRIAL BLVD CITY: COLUMBUS, OH 43260 PHONE: 614-297-1234 FAX: 614-297-5678 WWW: WWW.CLW.COM	PROJECT: 12" C515 NRS RESILIENT WEDGE GATE VALVE DRAWING NO: 125/2020 DATE: 12/3/2020 SCALE: 1:5 SHEET NO: 5	REVISIONS: NO. DATE BY DESCRIPTION 1 12/3/2020 JSM INITIAL DESIGN 2 12/15/2020 JSM REVISED DIMENSIONS 3 12/22/2020 JSM REVISED DIMENSIONS	APPROVED: _____ PROJECT ENGINEER _____ DESIGNER	CHECKED: _____ PROJECT MANAGER _____ PROJECT MANAGER	DRAWN: _____ PROJECT MANAGER _____ PROJECT MANAGER	DATE: 12/3/2020 SCALE: 1:5 SHEET NO: 5	PROJECT NO: 125/2020 DRAWING NO: 125/2020 SHEET NO: 5	COMPANY: CLW ADDRESS: 12345 INDUSTRIAL BLVD CITY: COLUMBUS, OH 43260 PHONE: 614-297-1234 FAX: 614-297-5678 WWW: WWW.CLW.COM
--	--	---	---	--	--	--	---	--

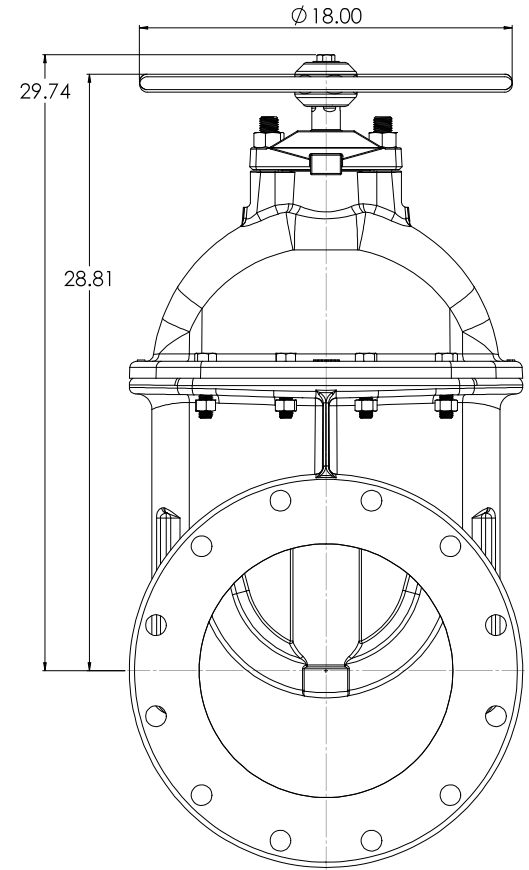
**OPERATING NUT WITH
O-RING PLATE**



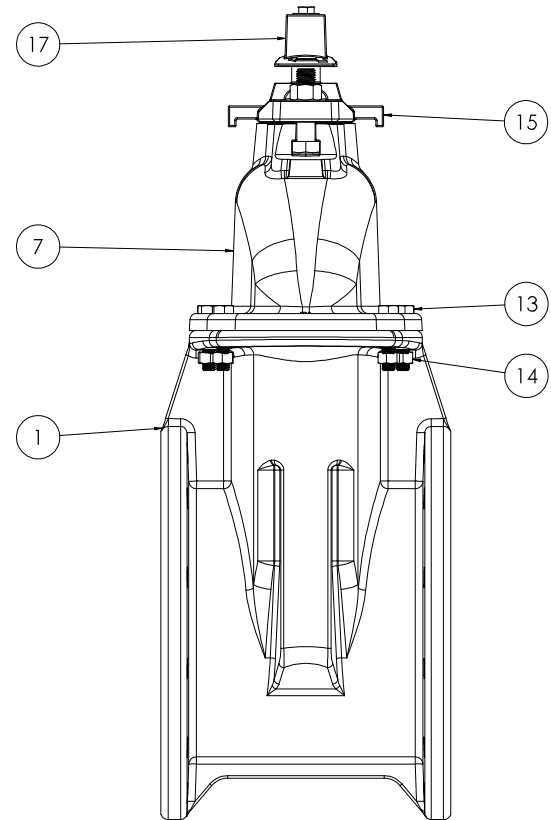
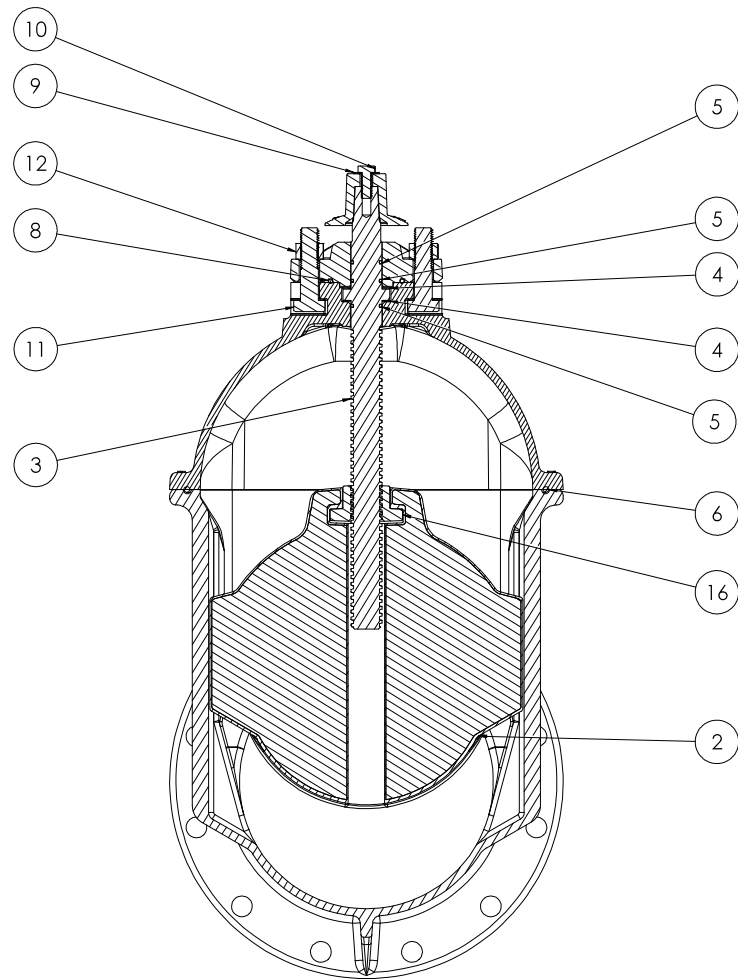
**OPERATING NUT WITH
INDICATOR POST PLATE**



**HANDWHEEL WITH
O-RING PLATE**



CLW <small>CONSTRUCTION LOGIC WORKS</small>		<small>12" CS18 NRS RESILIENT WEDGE GATE VALVE</small>		<small>REVISED</small> A	CLW <small>CONSTRUCTION LOGIC WORKS</small>
<small>DATE</small> <small>BY</small> <small>CHECKED</small> <small>APPROVED</small>	<small>DATE</small> <small>BY</small> <small>CHECKED</small> <small>APPROVED</small>	<small>PROJECT</small> LBS. GATE VALVE	<small>SCALE</small> 1:5	<small>DATE</small> 12/9/2020	<small>REVISED</small> 5



DATE: 12/20/2020	TIME: 10:00 AM	PROJECT: 12" CS18 NRS RESILIENT WEDGE GATE VALVE	SCALE: 1:5	SHEET NO: 3	TOTAL SHEETS: 5
CAD: J. H. HARRIS	DESIGN: J. H. HARRIS	DATE: 12/20/2020	TIME: 10:00 AM	PROJECT: 12" CS18 NRS RESILIENT WEDGE GATE VALVE	SCALE: 1:5
DATE: 12/20/2020	TIME: 10:00 AM	PROJECT: 12" CS18 NRS RESILIENT WEDGE GATE VALVE	SCALE: 1:5	SHEET NO: 3	TOTAL SHEETS: 5
DATE: 12/20/2020	TIME: 10:00 AM	PROJECT: 12" CS18 NRS RESILIENT WEDGE GATE VALVE	SCALE: 1:5	SHEET NO: 3	TOTAL SHEETS: 5

CLW
VALVE CO

<u>ITEM NO.</u>	<u>COMPONENT</u>	<u>QTY.</u>	<u>SIZE</u>	<u>STANDARD MATERIAL</u>	<u>MATERIAL OPTIONS</u>
1	BODY	1	-	DUCTILE IRON	-
2	WEDGE	1	-	EPDM/DUCTILE IRON	-
3	STEM	1	-	C86700	C99500 (LOW ZINC), 304 SS, 316 SS
4	THRUST WASHER	2	-	ACETAL	-
5	O-RING	3	#218	EPDM	BUNA-N
6	O-RING	1	#455	EPDM	BUNA-N
7	COVER	1	-	DUCTILE IRON	-
8	O-RING	1	#339	EPDM	BUNA-N
9	WASHER	1	1/2"	18-8 SS	316 SS
10	HEX HEAD CAPSCREW	1	1/2"-13 X 1 1/4"	18-8 SS	316 SS
11	HEX HEAD CAPSCREW	2	7/8"-9 X 3 1/2"	18-8 SS	316 SS
12	HEX NUT	2	7/8"-9	18-8 SS	316 SS
13	HEX HEAD CAPSCREW	8	5/8"-11 X 2 3/4"	18-8 SS	316 SS
14	HEX NUT	8	5/8"-11	18-8 SS	316 SS
15	O-RING PLATE	1	-	DUCTILE IRON	**INDICATOR POST PLATE**
16	STEM NUT	1	-	C87850	C99500 (LOW ZINC)
17	OPERATING NUT	1	-	CAST IRON	C86700, DUCTILE IRON, **Ø 18" HANDWHEEL

- VALVES CONFORM WITH THE FOLLOWING STANDARDS
 - AWWA C515
 - NSF 61
- LOW ZINC BRASS STEM AND STEM NUT AVAILABLE
- 100% DOMESTIC FASTENERS AND ORINGS OPTIONS AVAILABLE
- *OPEN LEFT (COUNTERCLOCKWISE) AND OPEN RIGHT (CLOCKWISE) OPTIONS AVAILABLE*
- TURNS TO OPEN FROM FULLY CLOSED: 38
- AWWA MAXIMUM ALLOWABLE CLOSING TORQUE 200 FT-LBS
- OPTIONAL HANDWHEEL CAN BE SUBSTITUTED FOR STANDARD 2" SQUARE OP. NUTS.
 - ****NOTE: STANDARD HANDWHEEL SIZE LISTED OUT IN PARTS LIST.****

CLW <small>CLW VALVE CO.</small>		<small>12" CS18 NRS RESILIENT WEDGE GATE VALVE</small>		<small>4</small>	<small>D</small>
<small>DATE:</small> 12/29/2020	<small>TIME:</small> 1:5	<small>SCALE:</small> 1:5	<small>PROJECT:</small>	<small>REV:</small> 5	<small>APP:</small>