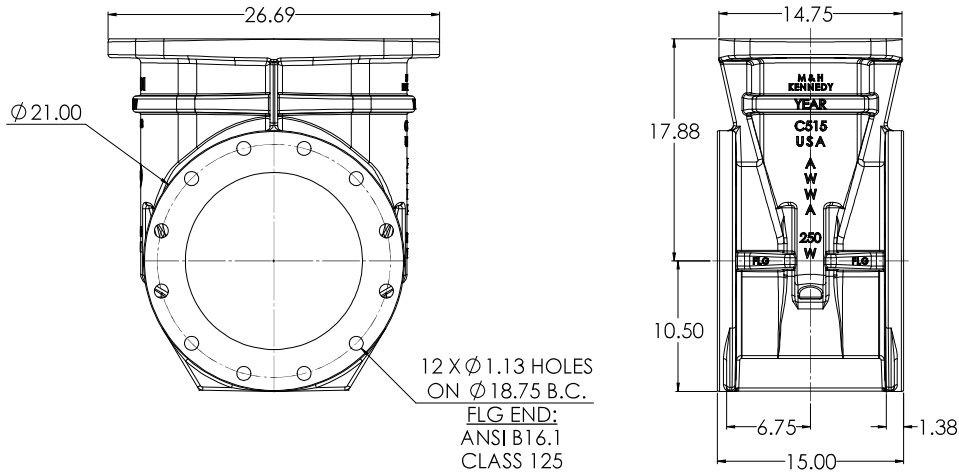
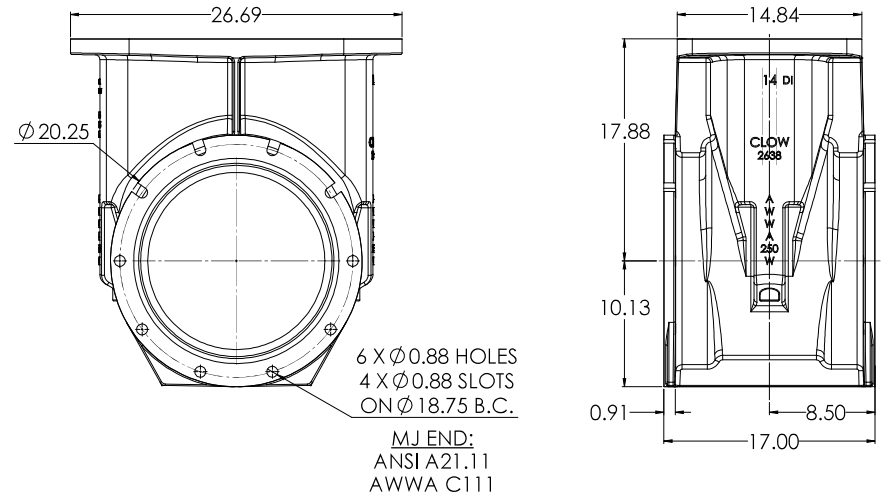


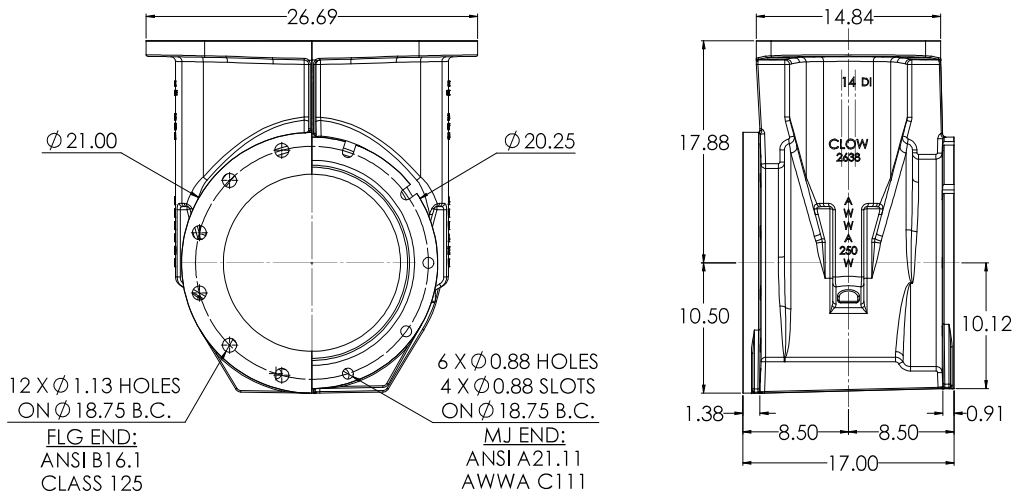
14" C515 FLG X FLG



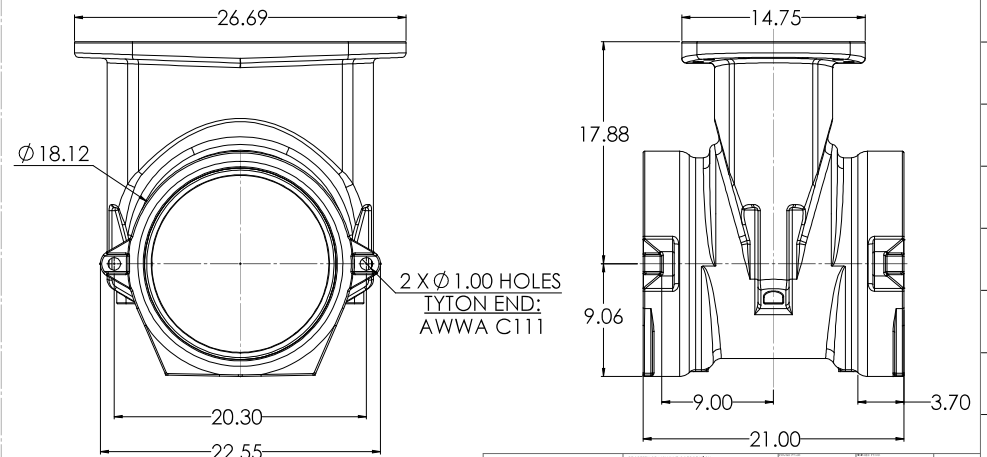
14" C515 MJ X MJ



14" C515 FLG X MJ

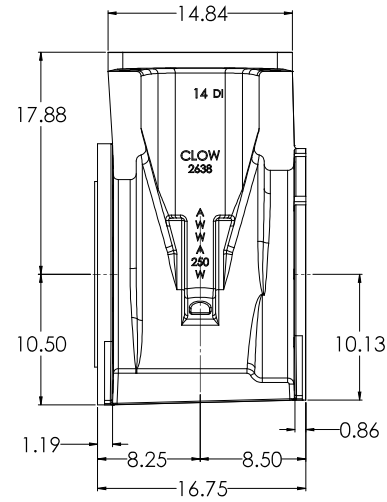
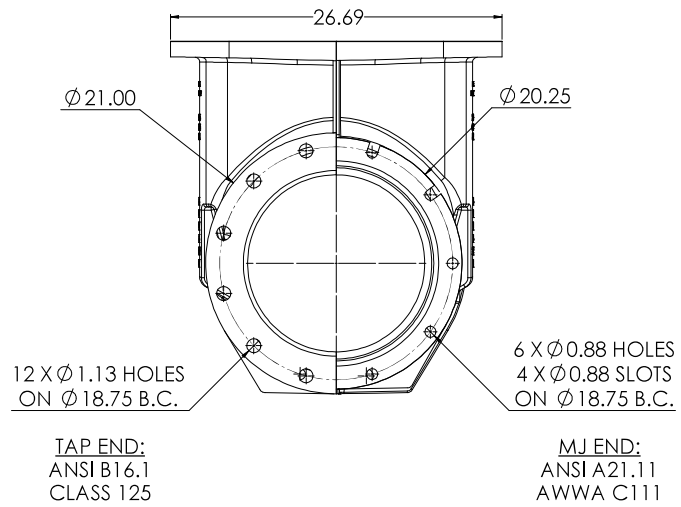


14" C515 TYTON X TYTON



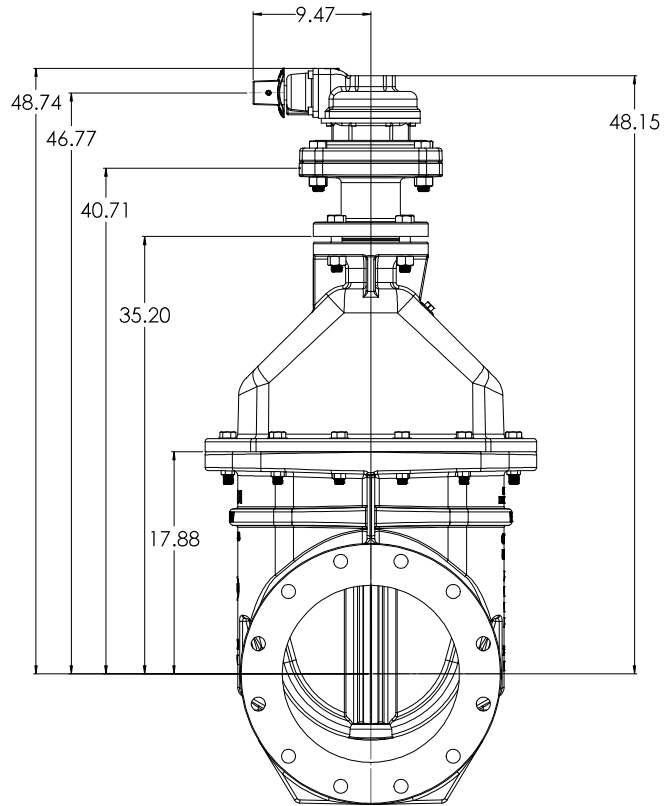
COMPANY: M&R KENNEDY ADDRESS: 1000 W. 10th St., Lincoln, NE 68502 PHONE: (402) 441-1111 FAX: (402) 441-1112 E-MAIL: sales@mrkennedy.com WEBSITE: www.mrkennedy.com		DIVISION: VALVES PRODUCT: 14" C515 NRS GEARED RESILIENT WEDGE GATE VALVE WEIGHT: 1500 LBS PART NO: 14" C515 NRS GEARED RESILIENT WEDGE GATE VALVE DATE: 12/28/2020		PROJECT: 14" C515 NRS GEARED RESILIENT WEDGE GATE VALVE SHEET NO: 8 TOTAL SHEETS: 8
DRAWN BY: CW CHECKED BY: CW DATE: 12/28/2020		SCALE: 1:5 SHEET NO: 8 TOTAL SHEETS: 8		PROJECT: 14" C515 NRS GEARED RESILIENT WEDGE GATE VALVE SHEET NO: 8 TOTAL SHEETS: 8

14" C515 MJ X TAP

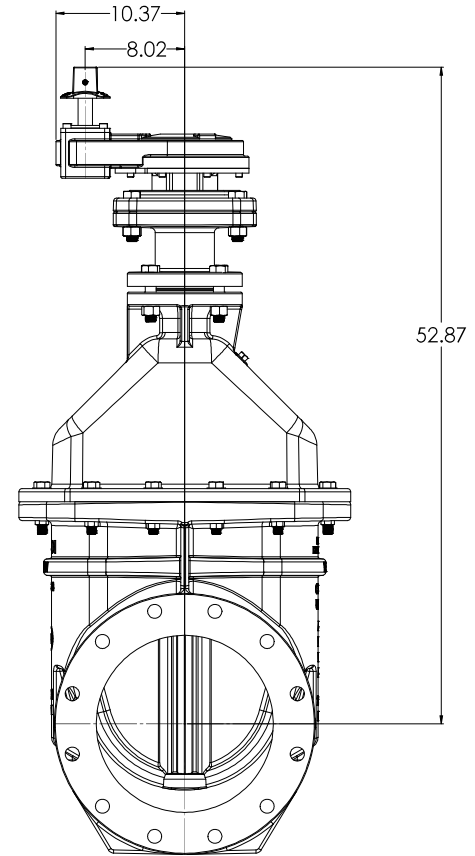


COMPANY: CLW ADDRESS: 12345 INDUSTRIAL BLVD. CLEVELAND, OH 44100		PROJECT: 14" C515 NRS GEARED RESILIENT WEDGE GATE VALVE		CLW 12345
DATE: 12/3/2020	DRAWN BY: CW	CHECKED BY:	SCALE: T:5	
SHEET NO: 2	TOTAL SHEETS: 8	PROJECT NO:	DRAWING NO:	REVISION:

BEVEL GEAR WITH OPERATING NUT

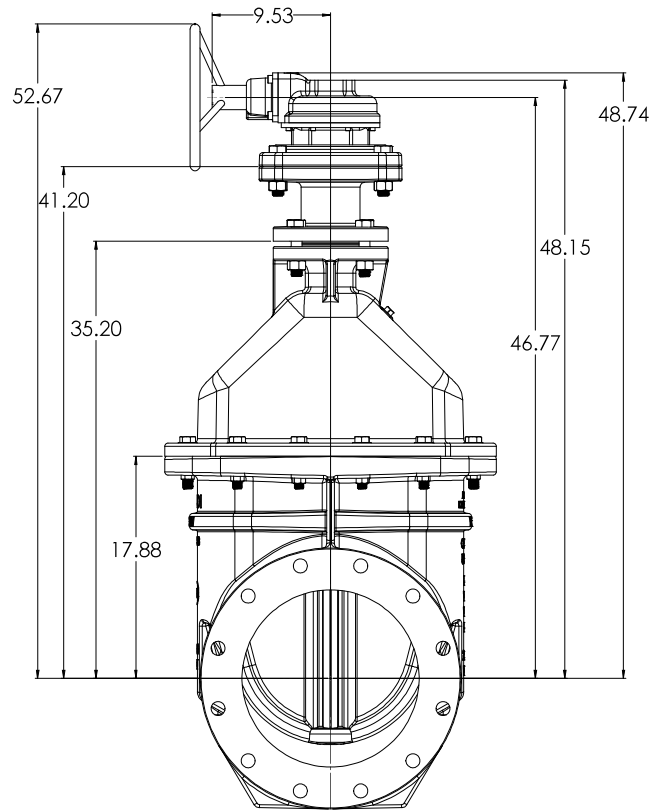


SPUR GEAR WITH OPERATING NUT

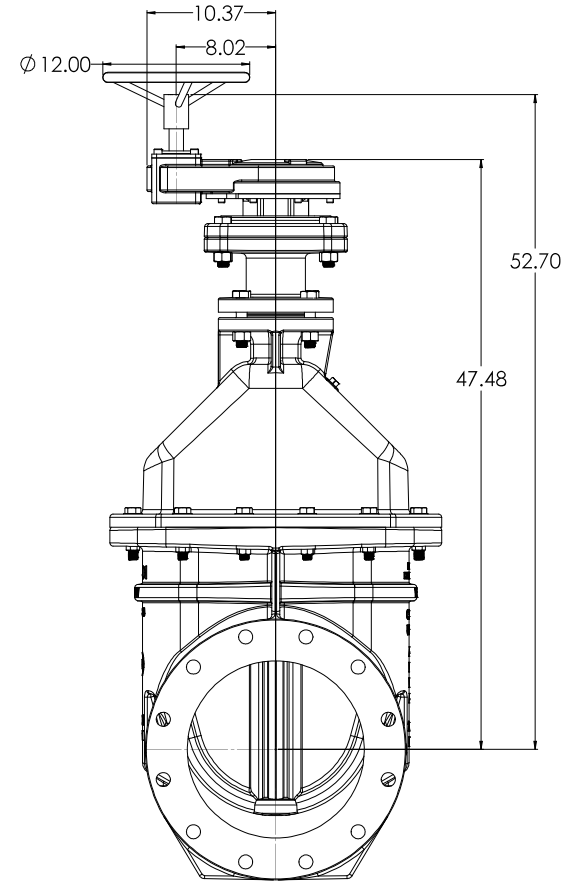


COMPANY: CLW ADDRESS: 12345 Industrial Blvd. CITY: Houston, TX 77001		PROJECT: 14" CS15 NRS GEARED RESILIENT WEDGE GATE VALVE SCALE: LBS		SHEET: 3 TOTAL: 8
DATE: 12/23/2020 DRAWN BY: CW	CHECKED BY: T10 APPROVED BY:	MATERIALS:	MANUFACTURER:	DRAWING NO:

BEVEL GEAR WITH HANDWHEEL

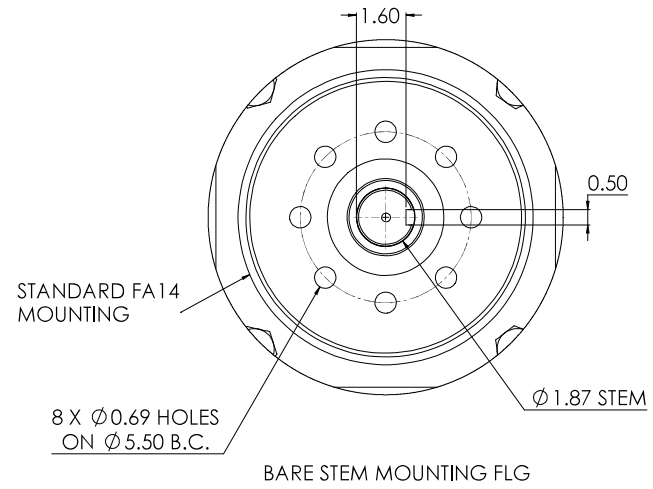
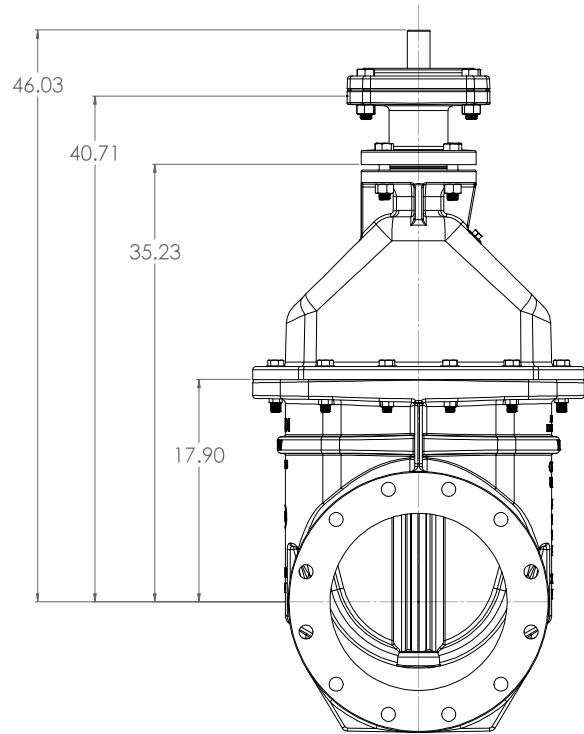


SPUR GEAR WITH HANDWHEEL

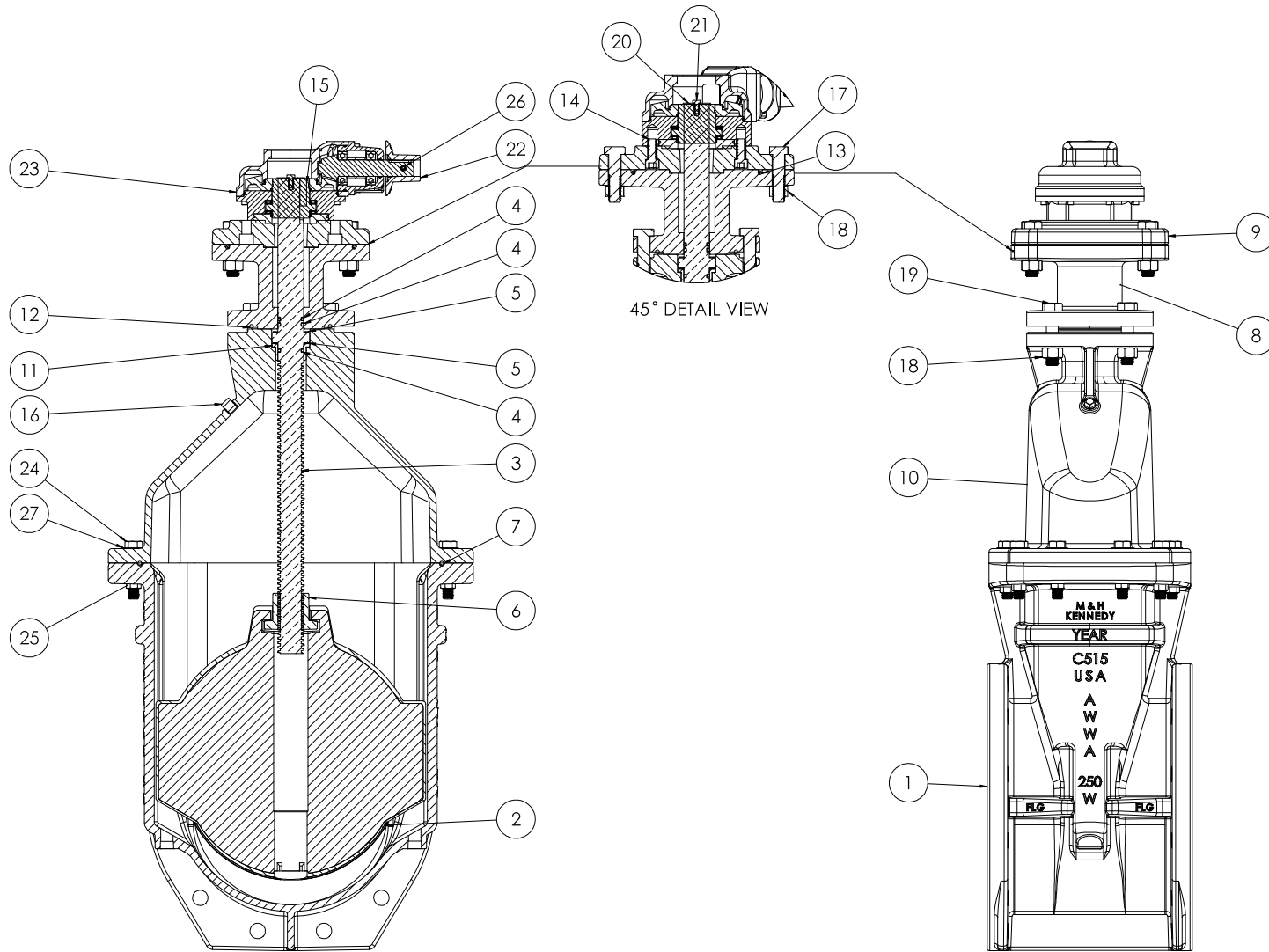


CLW CLW Valve Co.		14" CS15 NRS GEARED RESILIENT WEDGE GATE VALVE		4 8
DATE: 12/23/2020 DWG NO: 1223/2020 REV: 1 DESIGNED BY: CW CHECKED BY:	PROJECT NO: 1223/2020 VALVE SIZE: 14"	WEIGHT: LBS MATERIAL: CS15 NRS GEAR: RESILIENT	SCALE: T:10 DRAWN BY:	SHEET NO: 8 TOTAL SHEETS: 8

BARE STEM



CLW <small>CLW WORKS</small>		<small>14" CS15 NRS GEARED RESILIENT WEDGE GATE VALVE</small>		<small>REVISED</small> C	CLW <small>CLW WORKS</small>
<small>DATE</small> <small>REV</small> <small>BY</small> <small>CHKD</small> <small>APP'D</small>	<small>DATE</small> <small>REV</small> <small>BY</small> <small>CHKD</small> <small>APP'D</small>	<small>DESCRIPTION</small> <small>REV</small>	<small>UNIT</small> LBS	<small>SCALE</small> T:10	<small>DATE</small> 12/3/2020
<small>PROJECT</small> 14" CS15 NRS GEARED RESILIENT WEDGE GATE VALVE		<small>REV</small> 1		<small>DATE</small> 12/3/2020	<small>BY</small> T:10
<small>PROJECT</small> 14" CS15 NRS GEARED RESILIENT WEDGE GATE VALVE		<small>REV</small> 1		<small>DATE</small> 12/3/2020	<small>BY</small> T:10
<small>PROJECT</small> 14" CS15 NRS GEARED RESILIENT WEDGE GATE VALVE		<small>REV</small> 1		<small>DATE</small> 12/3/2020	<small>BY</small> T:10



45° DETAIL VIEW

M & H KENNEDY 14" CS15 NRS GEARED RESILIENT WEDGE GATE VALVE		14" CS15 NRS GEARED RESILIENT WEDGE GATE VALVE LBS.		6 8	
DATE: 12/05/2008 DWG NO: 12/05/2008 REV: 1 DESIGNED BY: [blank] CHECKED BY: [blank]	PROJECT NO: [blank] PROJECT NAME: [blank] CLIENT: [blank]	DRAWN BY: [blank] CHECKED BY: [blank]	SCALE: T:10 SHEET NO: 8	TOTAL SHEETS: 8	PROJECT: [blank]

CLW
 12/05/08

<u>ITEM NO.</u>	<u>COMPONENT</u>	<u>QTY.</u>	<u>SIZE</u>	<u>STANDARD MATERIAL</u>	<u>MATERIAL OPTIONS</u>
1	BODY	1	-	DUCTILE IRON	-
2	WEDGE	1	-	EPDM/DUCTILE IRON	-
3	STEM	1	-	C86700	C86200, C99500 (LOW ZINC), 304 SS, 316 SS
4	O-RING	3	#325	EPDM	BUNA-N
5	THRUST WASHER	2	-	ACETAL	C26000
6	STEM NUT	1	-	C87850	C99500 (LOW ZINC)
7	O-RING	1	#463	EPDM	BUNA-N
8	EXTENSION PLATE	1	-	DUCTILE IRON	-
9	ADAPTER PLATE	1	-	DUCTILE IRON	-
10	COVER	1	-	DUCTILE IRON	-
11	COVER BUSHING	1	-	C87850	-
12	O-RING	1	#433	EPDM	BUNA-N
13	O-RING	1	#447	EPDM	BUNA-N
14	HEX HEAD CAP SCREW	4	5/8"-11 X 1 1/2"	18-8 SS	316 SS
15	KEY	1	1/2" X 2"	18-8 SS	316 SS
16	PIPE PLUG	1	1/2" - NPT	18-8 SS	316 SS
17	HEX HEAD CAP SCREW	4	7/8"-9 X 3 1/2"	18-8 SS	316 SS
18	HEX NUT	8	7/8"-9	18-8 SS	316 SS
19	HEX HEAD CAP SCREW	4	7/8"-9 X 4"	18-8 SS	316 SS
20	WASHER	1	5/16" X 2"	18-8 SS	316 SS
21	HEX HEAD CAP SCREW	1	5/16"-18 X 3/4"	18-8 SS	316 SS
22	OPERATING NUT	1	-	DUCTILE IRON	C86700, **Ø 12" HANDWHEEL**
23	BEVEL GEAR	1	-	-	SPUR GEAR
24	HEX HEAD CAP SCREW	12	3/4"-10 X 3 3/4"	18-8 SS	316 SS
25	HEX NUT	12	5/8"-11	18-8 SS	316 SS
26	COILED SPRING PIN	1	10mm X 45mm	302/304 SS	-
27	WASHER	12	3/4"	18-8 SS	316 SS

- VALVES CONFORM WITH THE FOLLOWING STANDARDS
 - AWWA C515
 - NSF 61
- LOW ZINC BRASS STEM AND STEM NUT AVAILABLE
- 100% DOMESTIC FASTENERS AND ORINGS OPTIONS AVAILABLE
- *OPEN LEFT* (COUNTERCLOCKWISE) AND *OPEN RIGHT* (CLOCKWISE) OPTIONS AVAILABLE
- TURNS TO OPEN FROM FULLY CLOSED: 104
- AWWA MAXIMUM ALLOWABLE CLOSING TORQUE 250 FT-LBS
- OPTIONAL HANDWHEEL CAN BE SUBSTITUTED FOR STANDARD 2" SQUARE OP. NUTS.
 - ****NOTE: STANDARD HANDWHEEL SIZE LISTED OUT IN PARTS LIST.****
- MAXIMUM PRESSURE RATING 250 PSI

14" CS15 NRS GEARED RESILIENT WEDGE GATE VALVE LBS.		12/05/2020 CW	T:10 8	7 D
--	--	------------------	-----------	--------