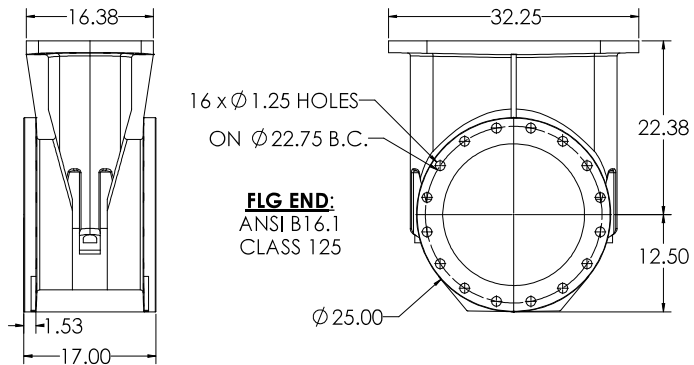
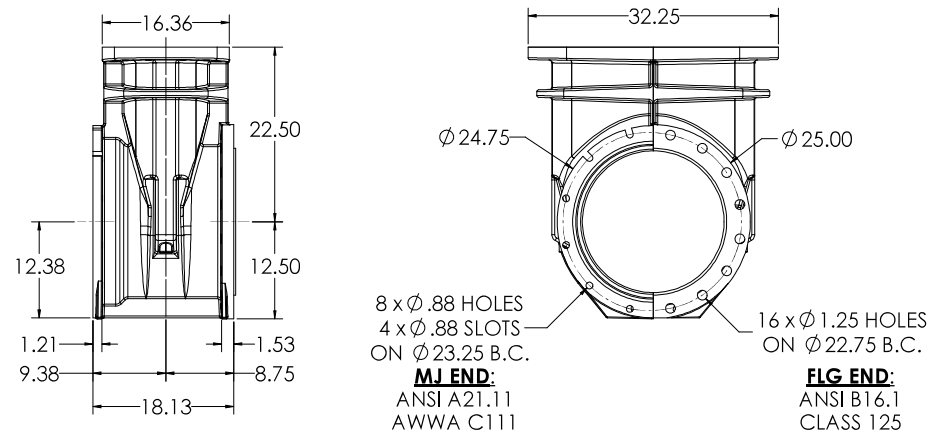


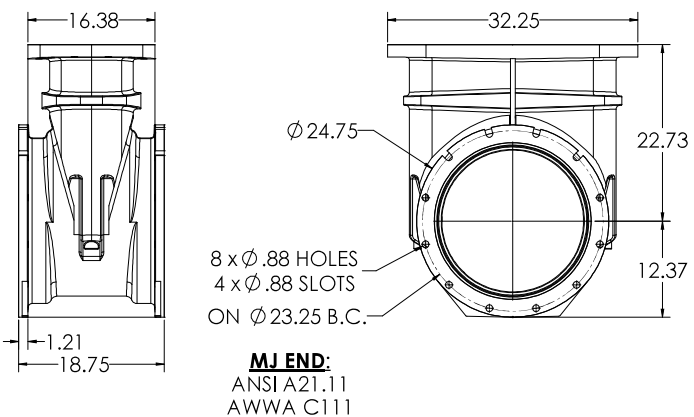
**18" C515 FLG X FLG**



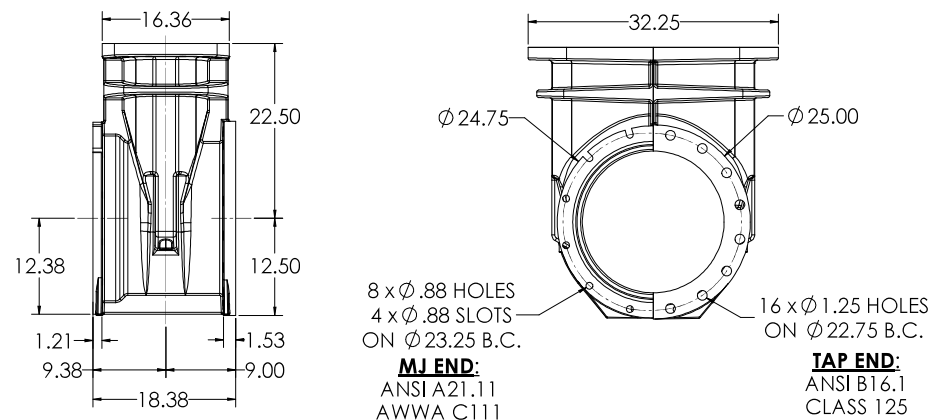
**18" C515 MJ X TAP**



**18" C515 MJ X MJ**

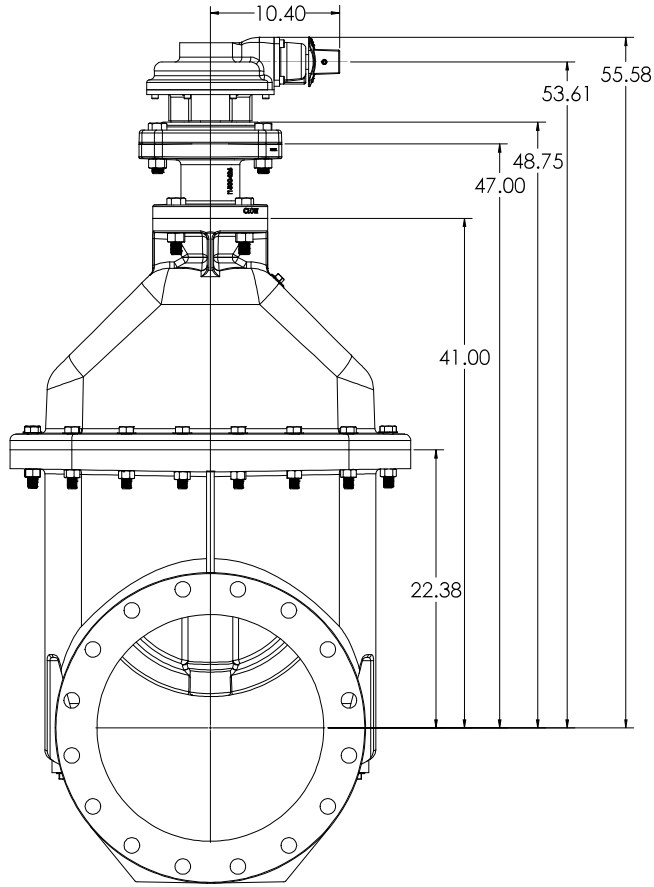


**18" C515 FLG X MJ**

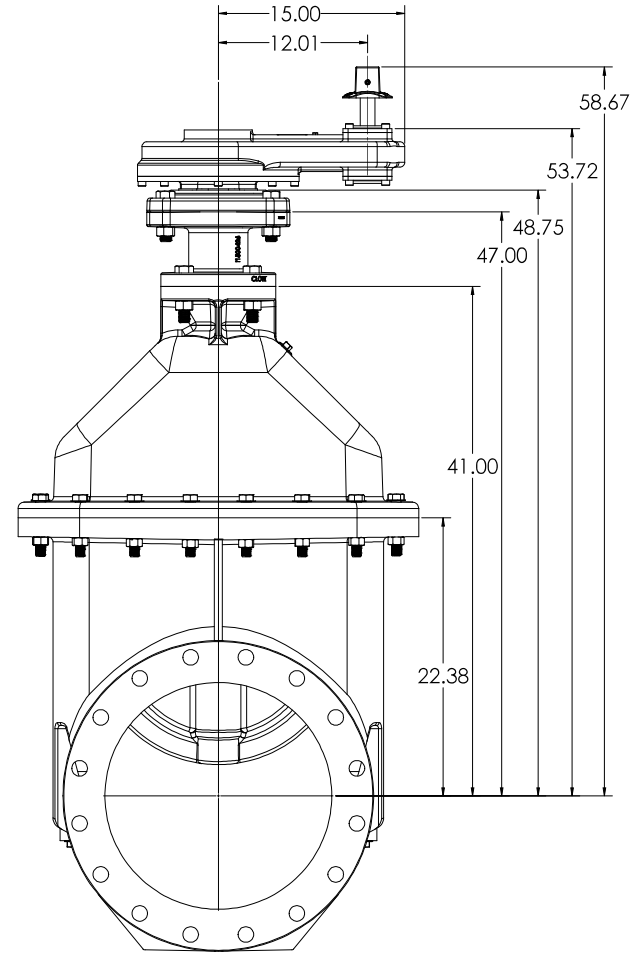


DWG NO: 11-3020 DATE: 11/11/2010 DRAWN: [Name] CHECKED: [Name] APPROVED: [Name]		PROJECT NO: [Number] PROJECT NAME: 18" C515 NRS GEARED RESILIENT WEDGE GATE VALVE T&B SHEET NO: 7 OF 7		SCALE: A PROJECT: [Name] CLIENT: [Name] CONTRACT NO: [Number]	CLW 18" C515 NRS GEARED RESILIENT WEDGE GATE VALVE T&B SHEET NO: 7 OF 7
---	--	---	--	--	--

### BEVEL GEAR WITH OPERATING NUT

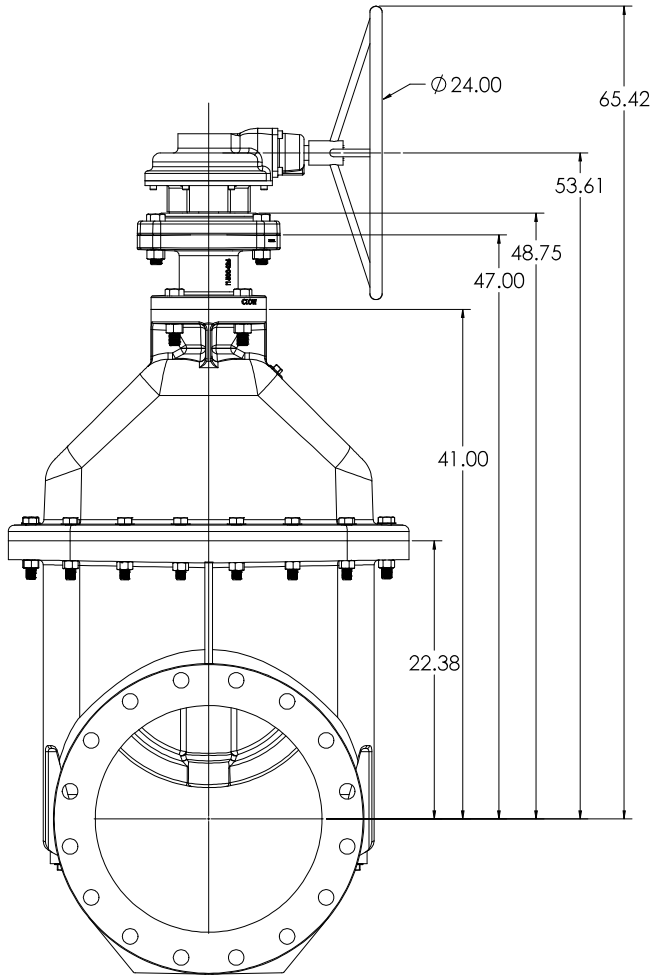


### SPUR GEAR WITH OPERATING NUT

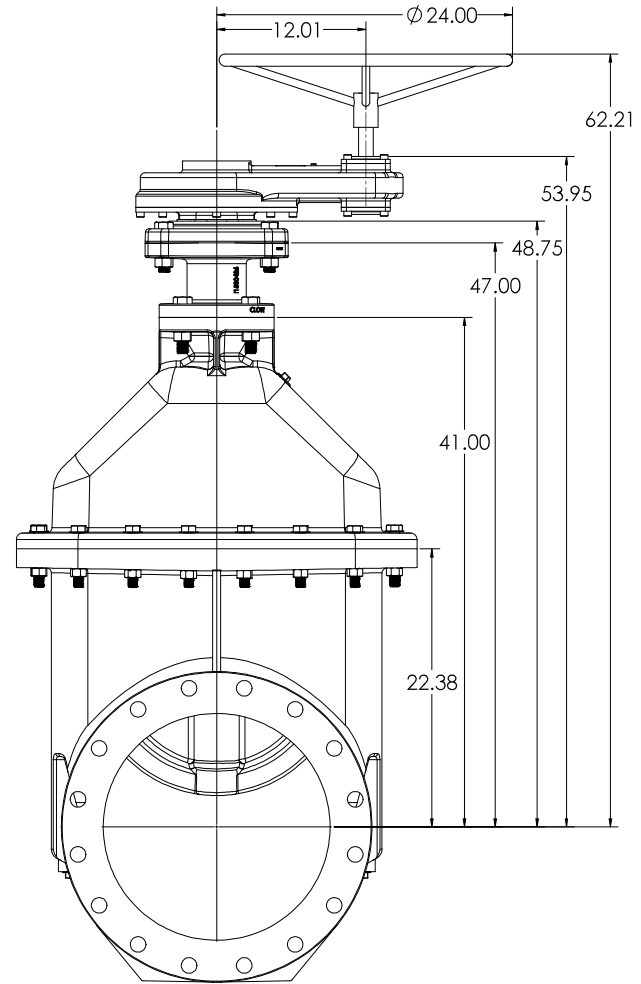


<b>CLW</b> CONSTRUCTION LOGIC WORKS 11-3020		18" CS15 NRS GEARED RESILIENT WEDGE GATE VALVE		DWG 11-3020		1:5		2016 SPZ		<b>CLW</b> CONSTRUCTION LOGIC WORKS	
DATE	BY	CHKD	APPD	REV	DESCRIPTION	SCALE	PROJECT	SHEET NO.	TOTAL SHEETS	A 7 D	
01/01/2016	DWI	DWI	DWI	1	18" CS15 NRS GEARED RESILIENT WEDGE GATE VALVE	1:5	11-3020	2	7		

### BEVEL GEAR WITH HANDWHEEL

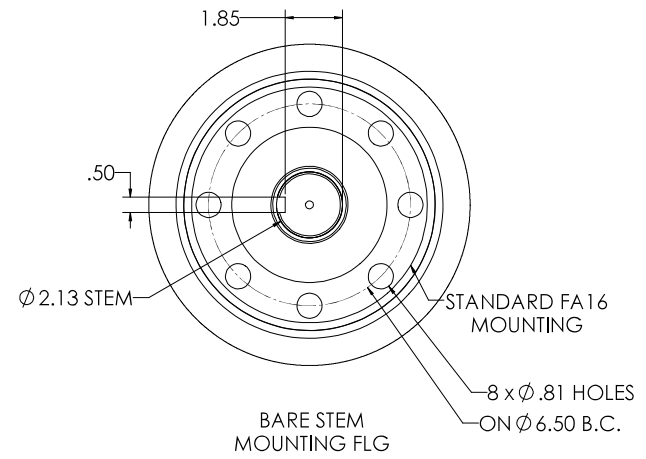
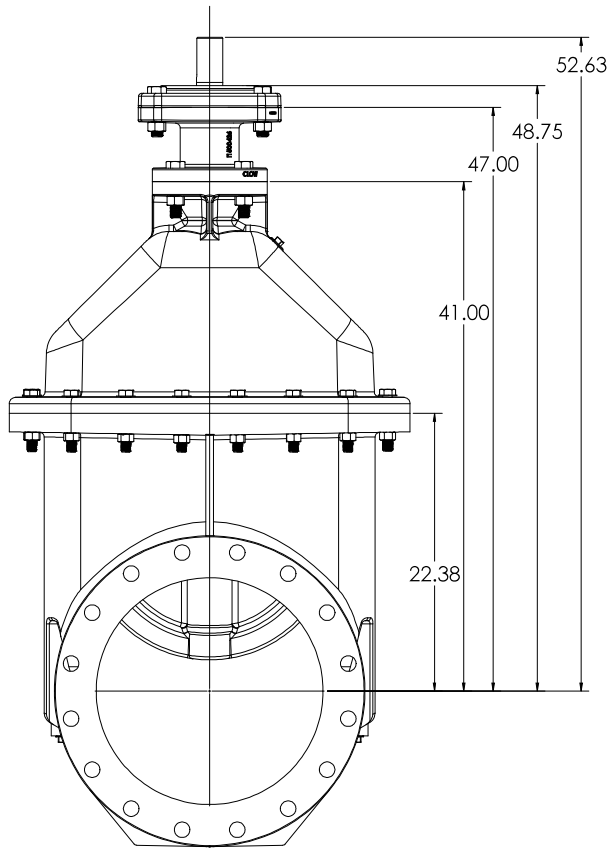


### SPUR GEAR WITH HANDWHEEL

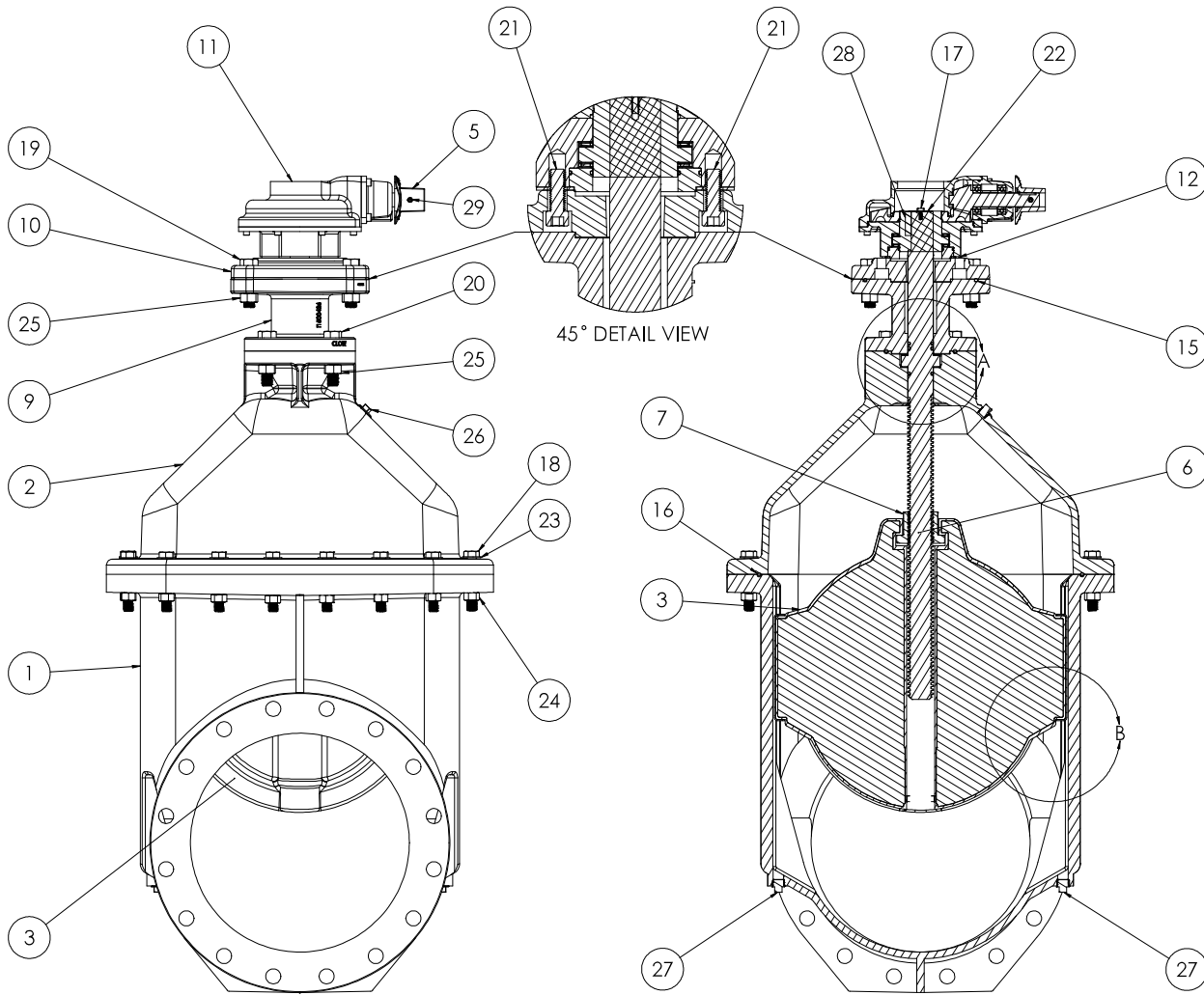


<b>CLW</b> CONSTRUCTION LOGIC WORKS 11-3020		18" CS15 NRS GEARED RESILIENT WEDGE GATE VALVE		3 7	<b>CLW</b> CONSTRUCTION LOGIC WORKS
DATE: 11/11/2020 TIME: 10:00 AM DRAWN: DWI CHECKED: TJS APPROVED: TJS	PROJECT: 11-3020 SHEET: 7 SCALE: 1:5	WEIGHT: LBS MATERIAL: CS15 NRS FINISH: RESILIENT	VALVE SIZE: 18" VALVE TYPE: WEDGE GATE VALVE MATERIAL: CS15 NRS VALVE FINISH: RESILIENT	SHEET NO: 7 TOTAL SHEETS: 7	DRAWN: DWI CHECKED: TJS APPROVED: TJS

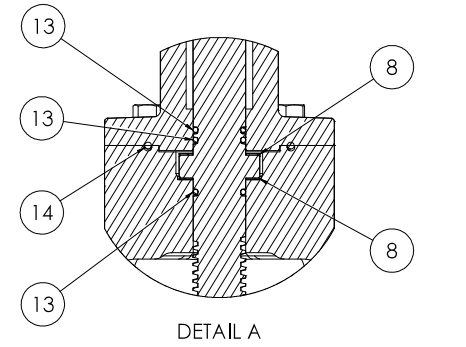
# BARE STEM



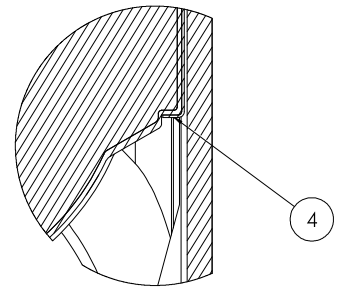
DWG NO: 11-3020 DATE: 11-30-20 DWG BY: DWI		PROJECT NO: 11-3020 PROJECT NAME: 18" CS16 NRS GEARED RESILIENT WEDGE GATE VALVE SCALE: 1:5 SHEET NO: 7		CLW 11-3020
--	--	--	--	----------------



45° DETAIL VIEW



DETAIL A



DETAIL B

<b>CLW</b> CLW Valve Co.		18" CS15 NRS GEARED RESILIENT WEDGE GATE VALVE		5 7	A D
DATE: 11/15/2020 DWG: 11-3020	PROJECT: 11-3020	SCALE: 1:5	MATERIAL: CS15 NRS GEARED RESILIENT	WEIGHT: LBS.	SOLIDWORKS 2016 SP2

<u>ITEM NO.</u>	<u>COMPONENT</u>	<u>QTY.</u>	<u>SIZE</u>	<u>STANDARD MATERIAL</u>	<u>MATERIAL OPTIONS</u>
1	BODY	1	-	DUCTILE IRON	-
2	COVER	1	-	DUCTILE IRON	-
3	WEDGE	1	-	DUCTILE IRON/EPDM	-
4	WEDGE CAP	2	-	DELTRIN	-
5	OPERATING NUT	1	-	CAST IRON	C86700, 304 SS ** Ø 24" HANDWHEEL**
6	STEM	1	2 1/8"	C86200	C99500, 304 SS 316 SS
7	STEM NUT	1	-	C87610	C87850, C99500
8	THRUST WASHER	2	-	DELTRIN	-
9	EXTENSION PLATE	1	-	DUCTILE IRON	-
10	ADAPTER PLATE	1	-	DUCTILE IRON	-
11	BEVEL GEAR	1	-	-	-
12	GASKET	1	-	BUNA-N	-
13	O-RING	3	#327	EPDM	BUNA-N
14	O-RING	1	#433	EPDM	BUNA-N
15	O-RING	1	#447	EPDM	BUNA-N
16	O-RING	1	#469	EPDM	BUNA-N
17	HEX HEAD CAP SCREW	1	5/16"-18 x 3/4"	18-8 SS	316 SS
18	HEX HEAD CAP SCREW	16	3/4"-10 X 4 1/2"	18-8 SS	316 SS
19	HEX HEAD CAP SCREW	4	7/8"-9 x 3 1/2"	18-8 SS	316 SS
20	HEX HEAD CAP SCREW	4	7/8"-9 X 4"	18-8 SS	316 SS
21	SOCKET HEAD CAP SCREW	4	3/4"-10 X 1 3/4"	18-8 SS	316 SS
22	FENDER WASHER	1	5/16"	18-8 SS	316 SS
23	FLAT WASHER	16	3/4"	18-8 SS	316 SS
24	HEX NUT	16	3/4"-10	18-8 SS	316 SS
25	HEX NUT	8	7/8"-9	18-8 SS	316 SS
26	PIPE PLUG	1	1/2" - NPT	304 SS	316 SS
27	PIPE PLUG	2	3/4" - NPT	304 SS	316 SS
28	KEY	1	1/2" X 1/2" X 2"	DOMESTIC CR STEEL	-
29	COILED SPRING PIN	1	10mm x 45mm	302 SS OR 304 SS	-

- VALVES CONFORM WITH FOLLOWING STANDARDS
  - AWWA C515
  - NSF 61
- LOW ZINC BRASS STEM AND STEM NUT AVAILABLE
- 100% DOMESTIC FASTENER AND O-RING OPTIONS AVAILABLE
- OPEN LEFT (COUNTERCLOCKWISE) AND OPEN RIGHT (CLOCKWISE) OPTIONS AVAILABLE
- TURNS TO OPEN FROM FULLY CLOSED: 192
  - +/- 5% WITH STANDARD 3:1 BEVEL OR SPUR GEAR
- AWWA MAXIMUM ALLOWABLE CLOSING TORQUE 250 FT-LBS WITH STANDARD GEARING
- OPTIONAL HANDWHEEL CAN BE SUBSTITUTED FOR STANDARD 2" SQUARE OP NUTS
  - \*\*NOTE: STANDARD HANDWHEEL SIZE CALLED OUT IN PARTS LIST\*\*

<small>           DWG NO: 11-3020            REV: 01            DATE: 01/11/2020            DESIGNED BY: DWI            CHECKED BY: TJS            DRAWN BY: DWI            SCALE: 1:1         </small>		<small>           PROJECT NO: 11-3020            SHEET NO: 7            TOTAL SHEETS: 7         </small>	<small>           TITLE: 18" CS15 NRS GEARED RESILIENT WEDGE GATE VALVE            LBS: TJS            DATE: 01/11/2020         </small>	<small>           CLOW            VALVE CO            6            D         </small>
---	--	--	--	---