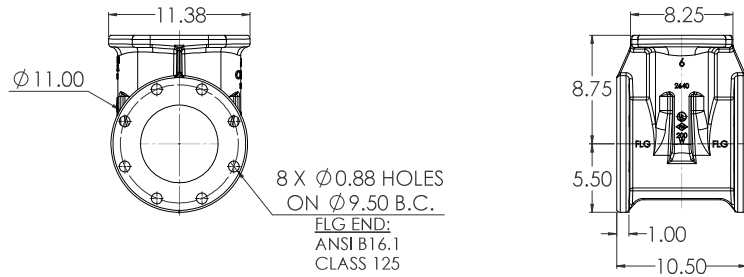
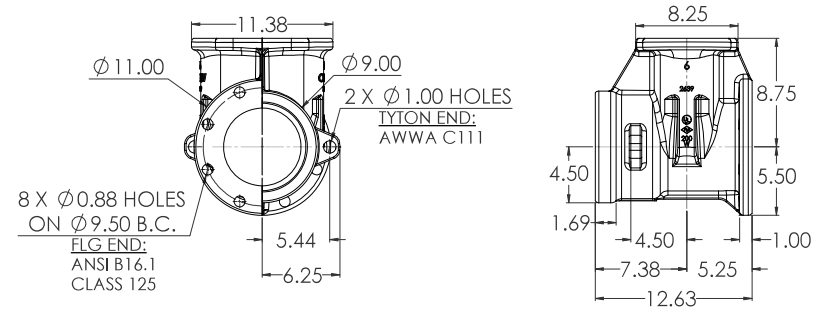


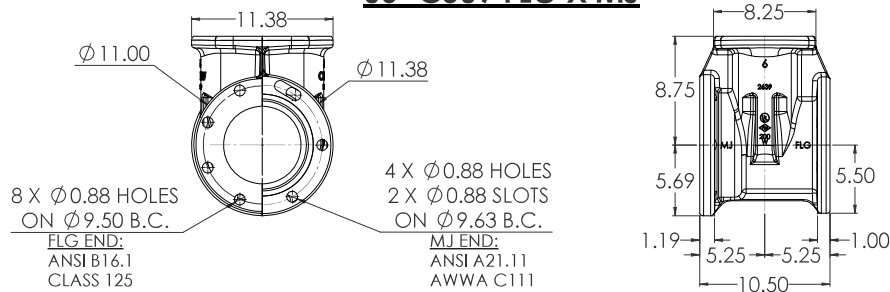
**06" C509 FLG X FLG**



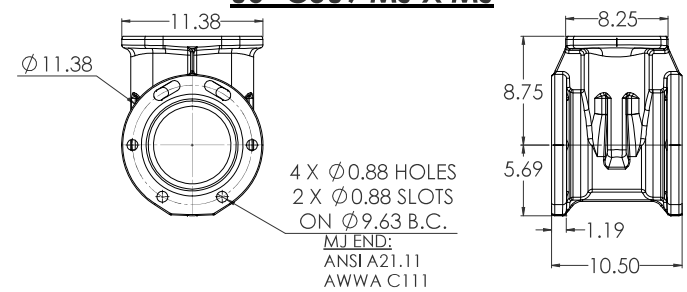
**06" C509 FLG X TYTON**



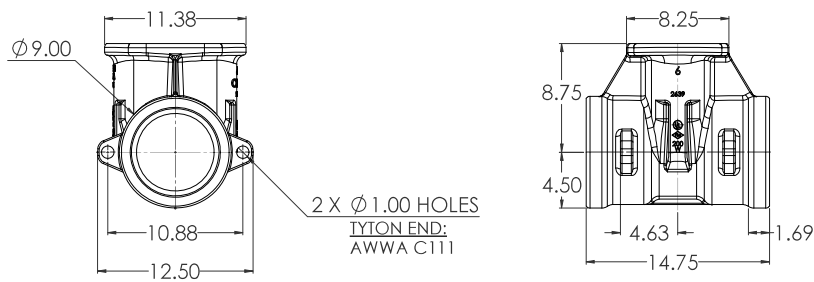
**06" C509 FLG X MJ**



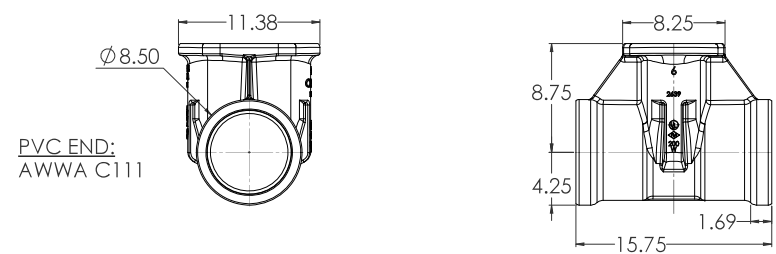
**06" C509 MJ X MJ**



**06" C509 TYTON X TYTON**

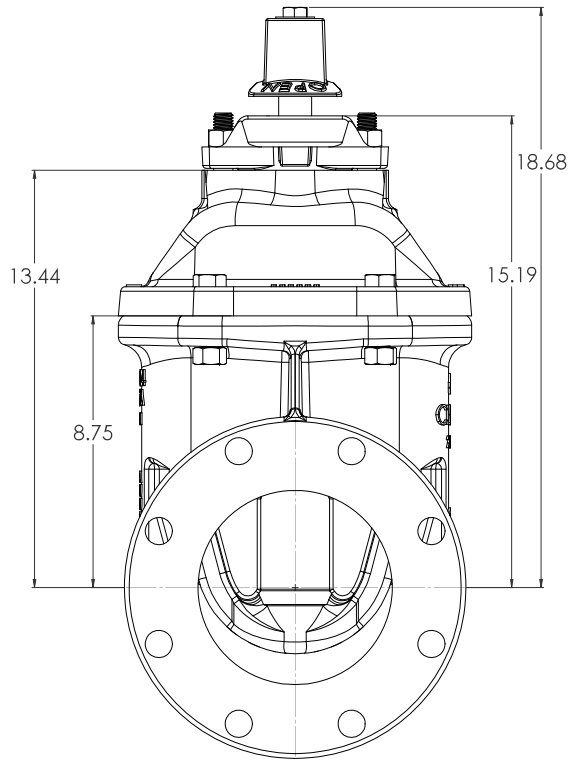


**06" C509 PVC X PVC**

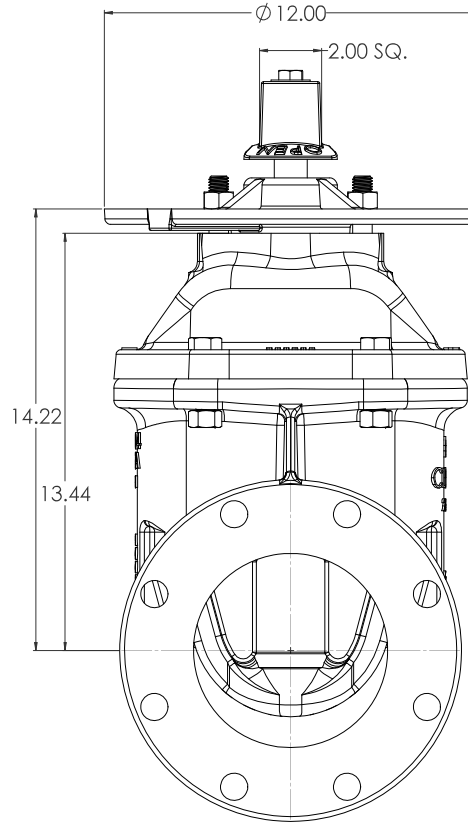


COMPANY: <b>WORLDWIDE VALVE</b> ADDRESS: 11000 W. 110th St., Omaha, NE 68147 PHONE: 402-491-1100 FAX: 402-491-1101 WWW: WWW.WORLDWIDEVALVE.COM	PRODUCT: <b>06" C509 NRS RESILIENT WEDGE GATE VALVE</b> WEIGHT: <b>LBS.</b> MATERIAL: <b>CLASS 125</b> SIZE: <b>6"</b> END: <b>FLG</b>	DATE: <b>06/01/2020</b> DRAWN BY: <b>CW</b> CHECKED BY: <b>10</b> SCALE: <b>1:5</b> SHEET NO: <b>5</b> TOTAL SHEETS: <b>5</b>	PROJECT: <b>06" C509 NRS RESILIENT WEDGE GATE VALVE</b> DRAWING NO: <b>06" C509 NRS RESILIENT WEDGE GATE VALVE</b> REV: <b>1</b> DATE: <b>06/01/2020</b> BY: <b>CW</b> CHECKED: <b>10</b> SCALE: <b>1:5</b> SHEET NO: <b>5</b> TOTAL SHEETS: <b>5</b>
--	--	--	---

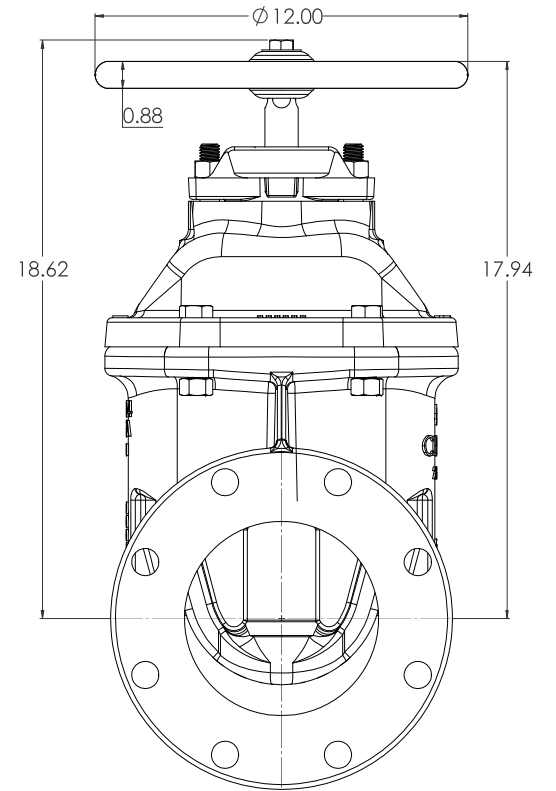
**OPERATING NUT WITH O-RING PLATE**



**OPERATING NUT WITH INDICATOR  
POST PLATE**



**HANDWHEEL WITH O-RING PLATE**



<b>REVISED</b> DATE: 10/01/2008 BY: CW		<b>DESCRIPTION</b> 06" C50P NRS RESILIENT WEDGE GATE VALVE		<b>SCALE</b> 1:5	
DATE: 10/01/2008 BY: CW	DATE: 10/01/2008 BY: CW	DATE: 10/01/2008 BY: CW	DATE: 10/01/2008 BY: CW	DATE: 10/01/2008 BY: CW	DATE: 10/01/2008 BY: CW
DRAWN BY: CW			CHECKED BY: CW		
APPROVED BY: CW			DATE: 10/01/2008		
PROJECT: 2016 SP2			SHEET: 5 OF 5		



2

5

D



<u>ITEM NO.</u>	<u>COMPONENT</u>	<u>QTY.</u>	<u>SIZE</u>	<u>STANDARD MATERIAL</u>	<u>OPTIONAL MATERIALS</u>
1	BODY	1	-	DUCTILE IRON	-
2	WEDGE	1	-	EPDM/DUCTILE IRON	-
3	O-RING	1	#445	EPDM	BUNA-N
4	STEM	1	-	C86200	C99500 (LOW ZINC), 304 SS, 316 SS
5	O-RING	3	#214	EPDM	BUNA-N
6	THRUST WASHER	2	-	ACETAL	C26000
7	COVER	1	-	DUCTILE IRON	-
8	STEM NUT	1	-	C87850	C99500 (LOW ZINC)
9	O-RING PLATE	1	-	DUCTILE IRON	-
10	O-RING	1	#335	EPDM	BUNA-N
11	WASHER	1	1/2"	18-8 SS	316 SS
12	HEX HEAD CAP SCREW	1	1/2"-13 X 1 1/4"	18-8 SS	316 SS
13	HEX HEAD CAP SCREW	2	5/8"-11 X 2 1/4"	18-8 SS	316 SS
14	HEX NUT	6	5/8"-11	18-8 SS	316 SS
15	HEX HEAD CAP SCREW	4	5/8"-11 X 2 1/4"	18-8 SS	316 SS
16	OPERATING NUT	1	-	CAST IRON	C86700, DUCTILE IRON, ** Ø 12" HANDWHEEL**

- VALVES CONFORM WITH THE FOLLOWING STANDARDS
  - AWWA C509
  - NSF 61
- LOW ZINC BRASS STEM AND STEM NUT AVAILABLE
- 100% DOMESTIC FASTENERS AND ORINGS OPTIONS AVAILABLE
- *OPEN LEFT* (COUNTERCLOCKWISE) AND *OPEN RIGHT* (CLOCKWISE) OPTIONS AVAILABLE
- TURNS TO OPEN FROM FULLY CLOSED: 20
- AWWA MAXIMUM ALLOWABLE CLOSING TORQUE 110 FT-LBS
- OPTIONAL HANDWHEEL CAN BE SUBSTITUTED FOR STANDARD 2" SQUARE OP. NUTS.
  - \*\*NOTE: STANDARD HANDWHEEL SIZE LISTED OUT IN PARTS LIST.\*\*

<small>           COMPANY: <b>SOLO WORKS</b>            ADDRESS: 10000 W. 10TH AVE., SUITE 100, DENVER, CO 80202            PHONE: 303.440.1000            FAX: 303.440.1001            WWW: WWW.SOLOWORKS.COM         </small>	<small>           PROJECT: <b>06" C509 NRS RESILIENT WEDGE GATE VALVE</b>            DATE: 10/01/2020            DRAWN BY: <b>TTO</b>            CHECKED BY: <b>TTO</b> </small>	<small>           SHEET NO: <b>4</b>            TOTAL SHEETS: <b>5</b>            SCALE: <b>1:10</b>            PROJECT NO: <b>SOLOWORKS 2018 SP2</b> </small>	
---	--	--	---