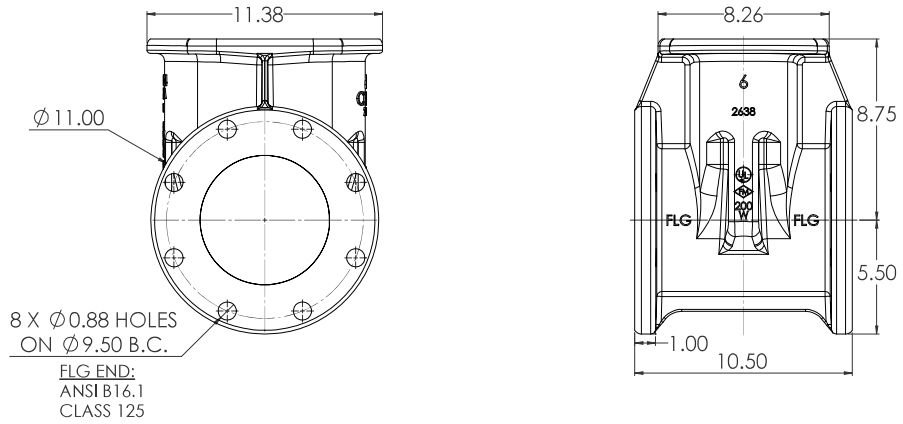
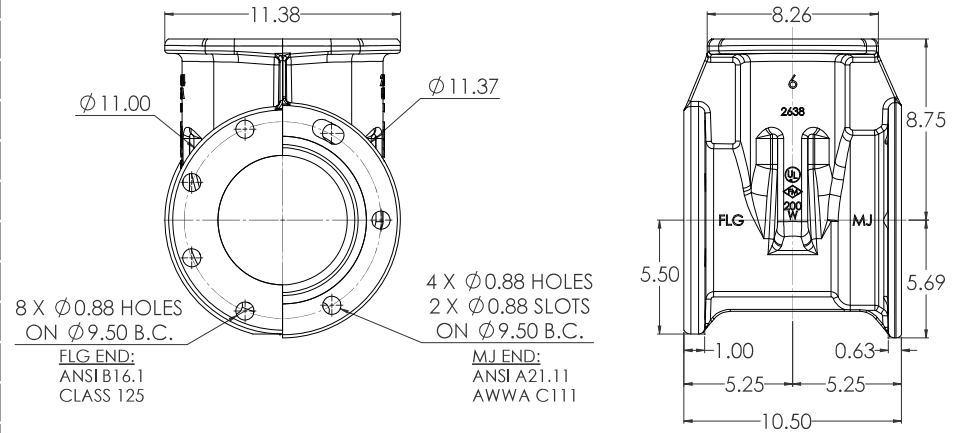


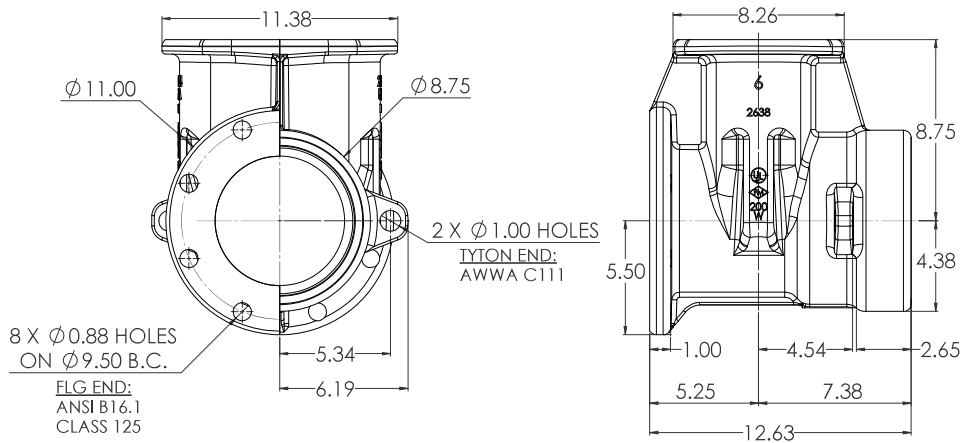
06" C515 FLG X FLG



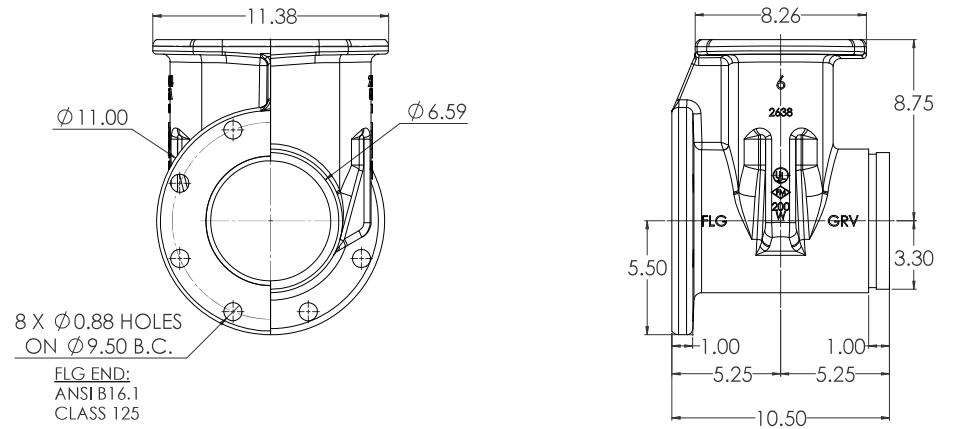
06" C515 FLG X MJ



06" C515 FLG X TYTON

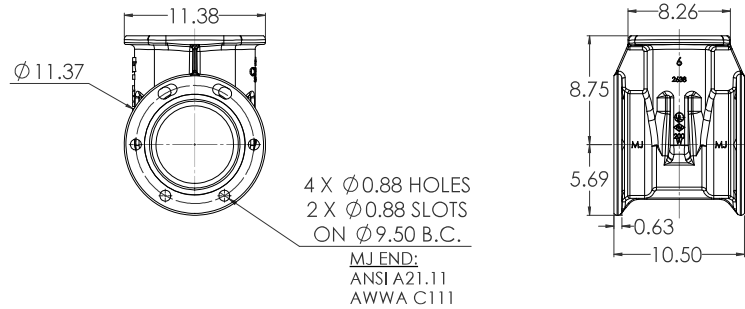


06" C515 FLG X GRVD

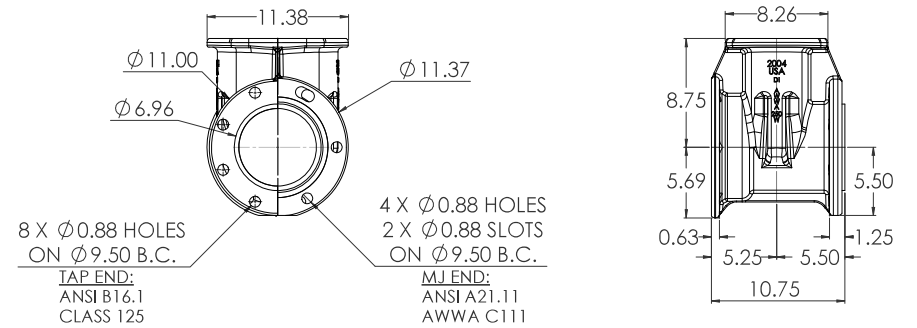


COMPANY: WATERWORKS ADDRESS: 1221 W. 12th St., Suite 100 Phone: 408-438-1234 Fax: 408-438-1235 Email: sales@waterworks.com Website: www.waterworks.com	PRODUCT: 06" C515 NRS GEARED RESILIENT WEDGE GATE VALVE SIZE: 06" MATERIAL: CLASS 125 END: FLG END: GRVD	DATE: 12/1/2020 DRAWN BY: CW CHECKED BY: [Blank] APPROVED BY: [Blank]	SCALE: 1:2 SHEET NO: 8 TOTAL SHEETS: 8
--	--	--	--

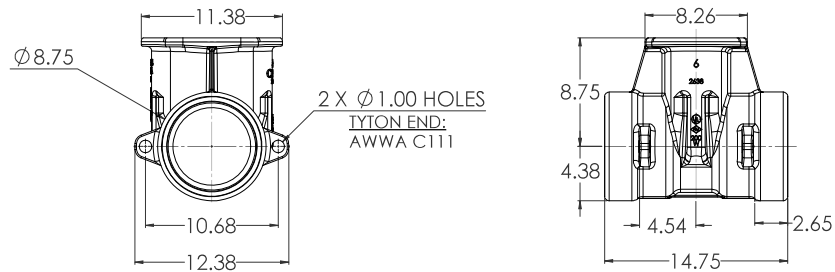
06" C515 MJ X MJ



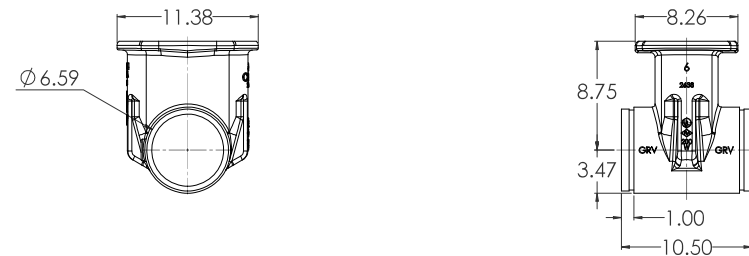
06" C515 MJ X TAP



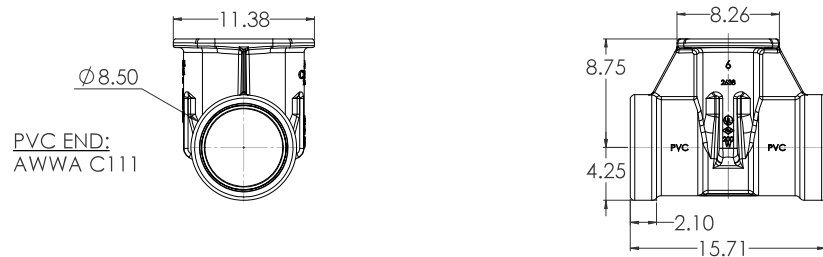
06" C515 TYTON X TYTON



06" C515 GRVD X GRVD

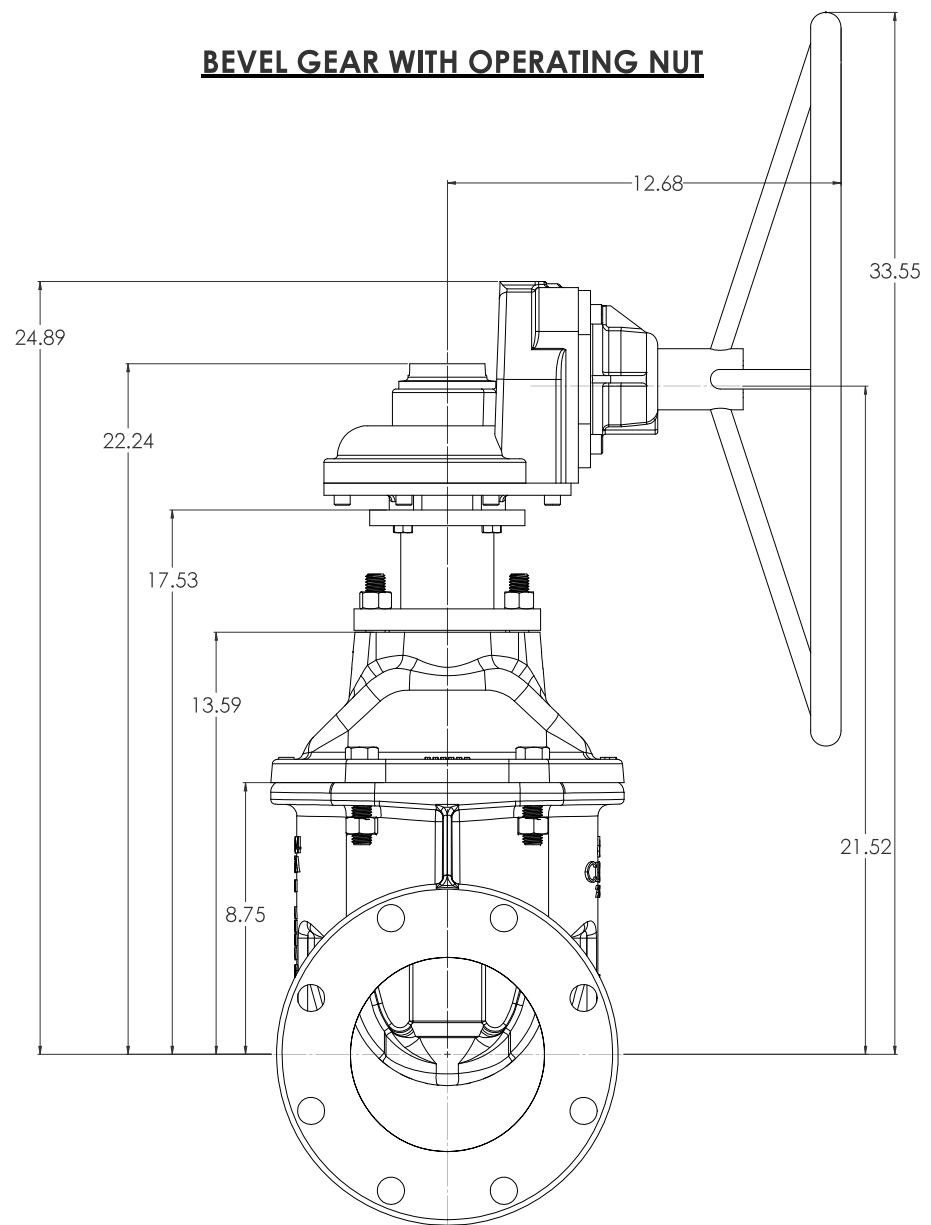


06" C515 PVC X PVC

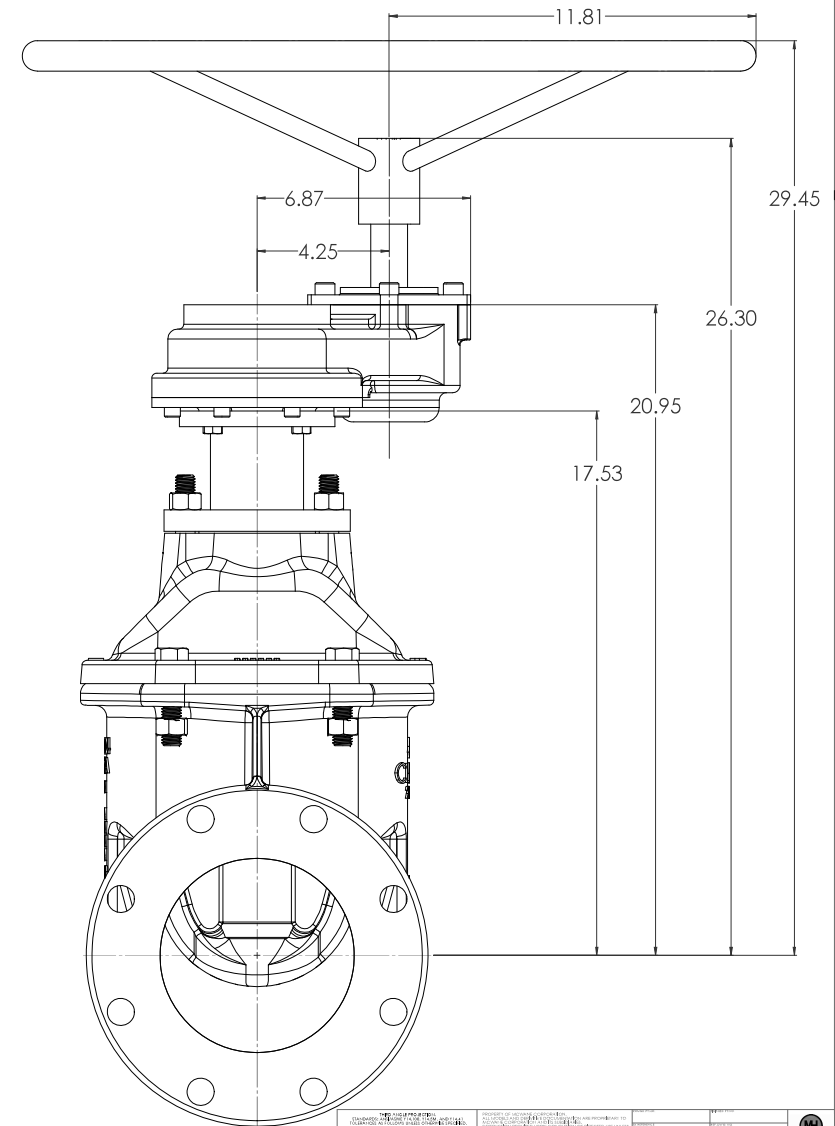


COMPANY: WATERWORKS ADDRESS: 1100 W. 11th St., Suite 100 Des Moines, IA 50319 PHONE: 515-281-1100 FAX: 515-281-1101 WWW: www.waterworksinc.com	PROJECT: 06" C515 NRS GEARED RESILIENT WEDGE GATE VALVE DATE: 12/1/2020 DRAWN BY: [Name] CHECKED BY: [Name]	SHEET: 2 TOTAL SHEETS: 8 SCALE: 1:5 DATE: 12/1/2020	APPROVED BY: [Signature] TITLE: [Title]
--	---	---	--

BEVEL GEAR WITH OPERATING NUT

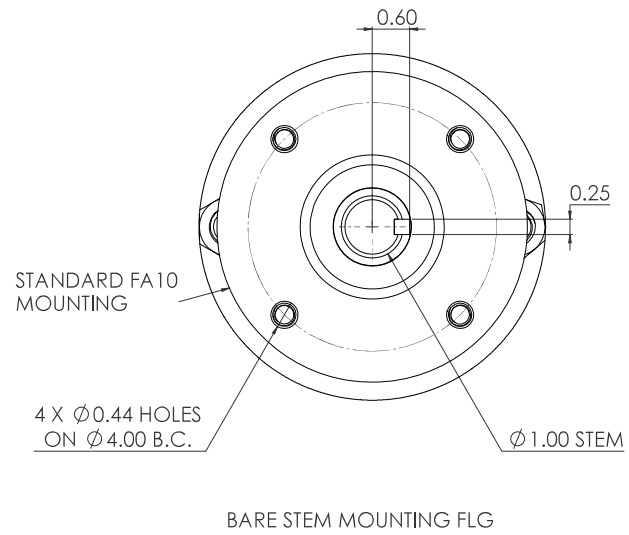
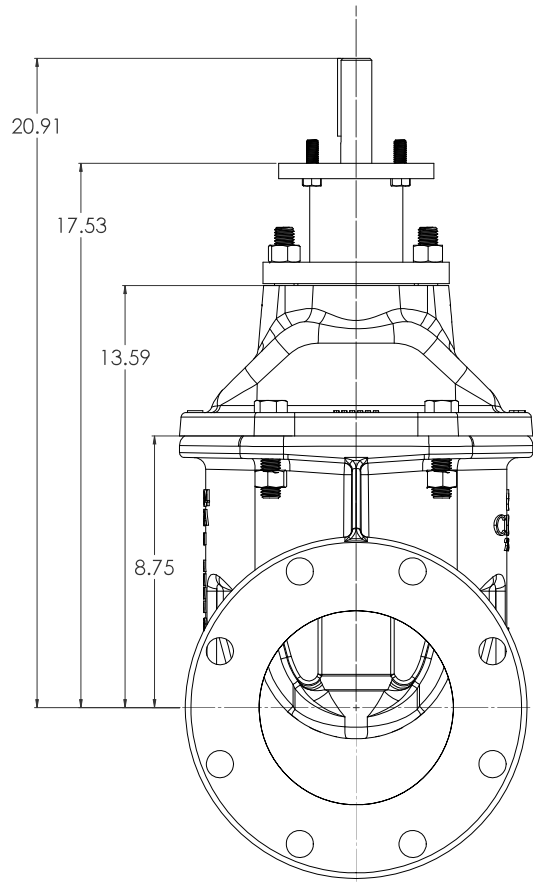


SPUR GEAR WITH OPERATING NUT

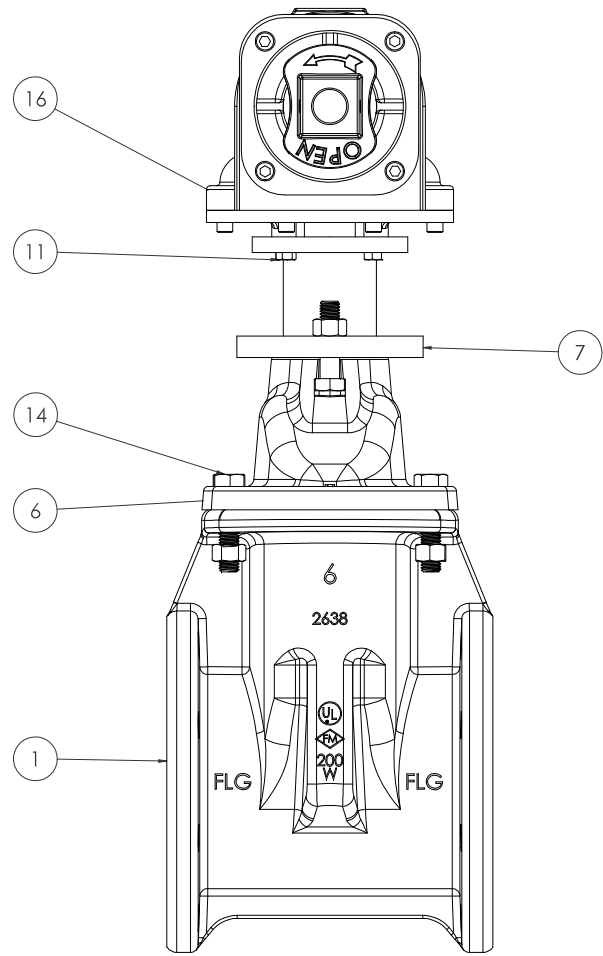
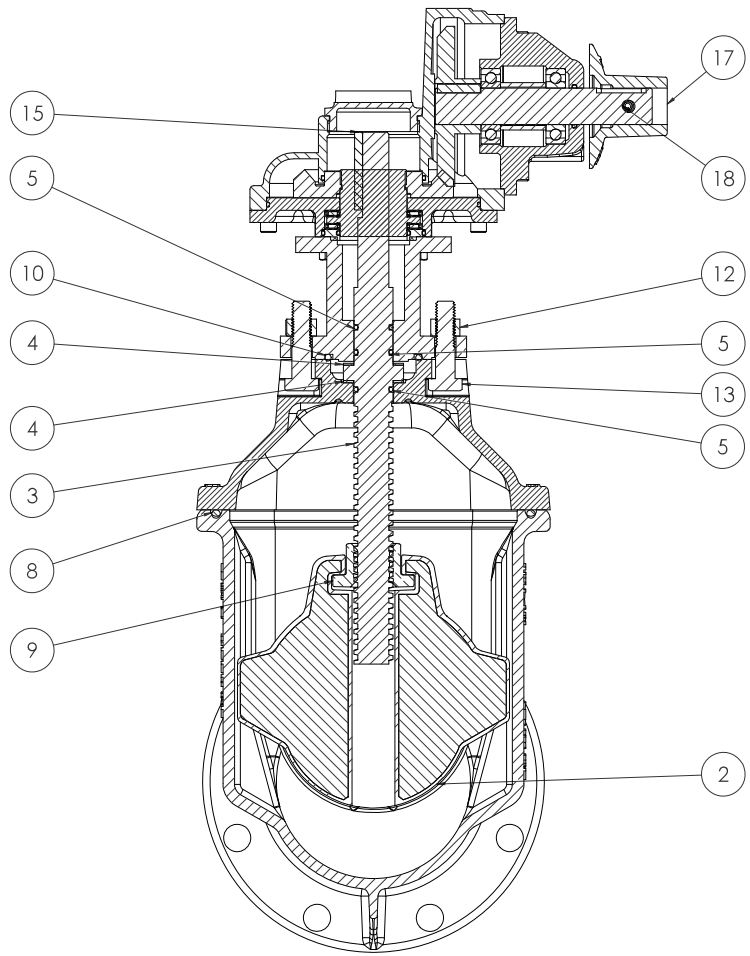


COMPANY: SWISS VALVE COMPANY ADDRESS: 1271/2820 TEL: 4100 FAX: 2100 E-MAIL: 100@swissvalve.com		DIVISION: VALVE DIVISION PRODUCT: VALVE PART NO: 1271/2820 REV: 1		PROJECT NO: 06" CS18 NRS GEARED RESILIENT WEDGE GATE VALVE SHEET NO: 4 TOTAL SHEETS: 8		
DATE: 12/1/2020		SCALE: 1:5		DRAWN BY: SWISS VALVE COMPANY		

BARE STEM



WEDGEMOUNT <small>Wedge Mount Valve Division</small>		<small>Wedge Mount Valve Division</small> <small>12210000</small>		<small>12210000</small>	
<small>DATE</small> <small>REV</small> <small>BY</small> <small>CHKD</small> <small>APP'D</small>	<small>REV</small> <small>DATE</small> <small>BY</small> <small>CHKD</small> <small>APP'D</small>	<small>REV</small> <small>DATE</small> <small>BY</small> <small>CHKD</small> <small>APP'D</small>	<small>REV</small> <small>DATE</small> <small>BY</small> <small>CHKD</small> <small>APP'D</small>	<small>REV</small> <small>DATE</small> <small>BY</small> <small>CHKD</small> <small>APP'D</small>	<small>REV</small> <small>DATE</small> <small>BY</small> <small>CHKD</small> <small>APP'D</small>
<small>00' CS18 NRS GEARED RESILIENT WEDGE GATE VALVE</small>			<small>LBS.</small>		
<small>CW</small>			<small>12/1/2000</small>		
<small>1:5</small>			<small>12/1/2000</small>		
<small>8</small>			<small>D</small>		



WEDGE GATE VALVE <small>DESIGNED BY: [REDACTED] DRAWN BY: [REDACTED] CHECKED BY: [REDACTED] APPROVED BY: [REDACTED]</small>		<small>REV. NO. 1</small> <small>DATE 12/1/2020</small>		<small>SCALE 1:1</small> <small>UNIT LBS</small>		<small>PROJECT NO. 2016 SP2</small> <small>DATE 12/1/2020</small>		<small>REV. NO. 1</small> <small>DATE 12/1/2020</small>		<small>SCALE 1:1</small> <small>UNIT LBS</small>		<small>PROJECT NO. 2016 SP2</small> <small>DATE 12/1/2020</small>		<small>REV. NO. 1</small> <small>DATE 12/1/2020</small>	
<small>ITEM NO. 6</small> <small>DESCRIPTION 06" CS15 NRS GEARED RESILIENT WEDGE GATE VALVE</small>		<small>WEIGHT 2638</small> <small>UNIT LBS</small>		<small>SCALE 1:1</small> <small>UNIT LBS</small>		<small>PROJECT NO. 2016 SP2</small> <small>DATE 12/1/2020</small>		<small>REV. NO. 1</small> <small>DATE 12/1/2020</small>		<small>SCALE 1:1</small> <small>UNIT LBS</small>		<small>PROJECT NO. 2016 SP2</small> <small>DATE 12/1/2020</small>		<small>REV. NO. 1</small> <small>DATE 12/1/2020</small>	

<u>ITEM NO.</u>	<u>COMPONENT</u>	<u>QTY.</u>	<u>SIZE</u>	<u>STANDARD MATERIAL</u>	<u>MATERIAL OPTIONS</u>
1	BODY	1	-	DUCTILE IRON	-
2	WEDGE	1	-	EPDM/DUCTILE IRON	-
3	STEM	1	-	C36000	C65500
4	THRUST WASHER	2	-	ACETAL	C26000
5	O-RING	3	#214	EPDM	BUNA-N
6	COVER	1	-	DUCTILE IRON	-
7	MOTOR MOUNT BRACKET	1	-	COLD ROLLED STEEL	-
8	O-RING	1	#445	EPDM	BUNA-N
9	STEM NUT	1		C87850	C87610 (LOW ZINC)
10	O-RING	1	#335	EPDM	BUNA-N
11	HEX HEAD CAP SCREW	4	3/8"-16 X 1 1/4"	18-8 SS	316 SS
12	HEX NUT	6	5/8"-11	18-8 SS	316 SS
13	HEX HEAD CAP SCREW	2	5/8"-11 X 2 1/4"	18-8 SS	316 SS
14	HEX HEAD CAP SCREW	4	5/8"-11 X 2 3/4"	18-8 SS	316 SS
15	STEM KEY	1	1/4" X 2 1/2"	18-8 SS	316 SS
16	BEVEL GEAR	1	-	-	SPUR GEAR
17	OPERATING NUT	1	-	CAST IRON	DUCTILE IRON, C86700, **24" DIA. HANDWHEEL**
18	COILED SPRING PIN	1	10MM X 45MM	18-8 SS	316 SS

- VALVES CONFORM WITH THE FOLLOWING STANDARDS
 - AWWA C515
 - NSF 61
- LOW ZINC BRASS STEM AND STEM NUT AVAILABLE
- 100% DOMESTIC FASTENERS AND ORINGS OPTIONS AVAILABLE
- *OPEN LEFT* (COUNTERCLOCKWISE) AND *OPEN RIGHT* (CLOCKWISE) OPTIONS AVAILABLE
- TURNS TO OPEN FROM FULLY CLOSED: 20
- AWWA MAXIMUM ALLOWABLE CLOSING TORQUE 110 FT-LBS INTO GEAR
- OPTIONAL HANDWHEEL CAN BE SUBSTITUTED FOR STANDARD 2" SQUARE OP. NUTS.
 - **NOTE: STANDARD HANDWHEEL SIZE LISTED OUT IN PARTS LIST.**

WEDGEMASTER <small>WEDGEMASTER VALVE COMPANY</small>		<small>12110 WEDGEMASTER DRIVE</small> <small>WEDGEMASTER, OHIO 44122</small>		<small>PHONE: (216) 425-1234</small> <small>FAX: (216) 425-1235</small>		<small>WWW.WEDGEMASTER.COM</small>	
<small>DATE: 12/1/2020</small> <small>TIME: 10:00 AM</small>	<small>PROJECT: 12110</small>	<small>DESCRIPTION: 96" CS15 NRS GEARED RESILIENT WEDGE GATE VALVE</small>	<small>REV: 1</small>	<small>SCALE: 1:5</small>	<small>DATE: 12/1/2020</small>	<small>BY: JSM</small>	<small>CHK: JSM</small>
<small>WEDGEMASTER VALVE COMPANY</small>							