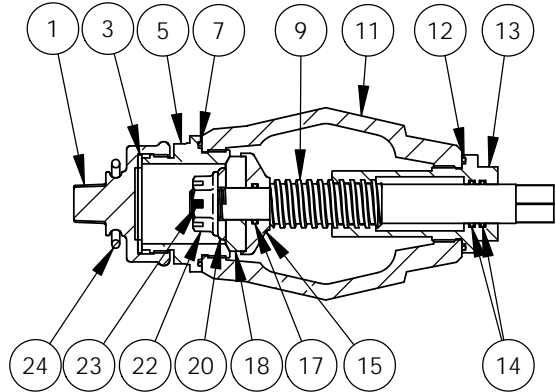
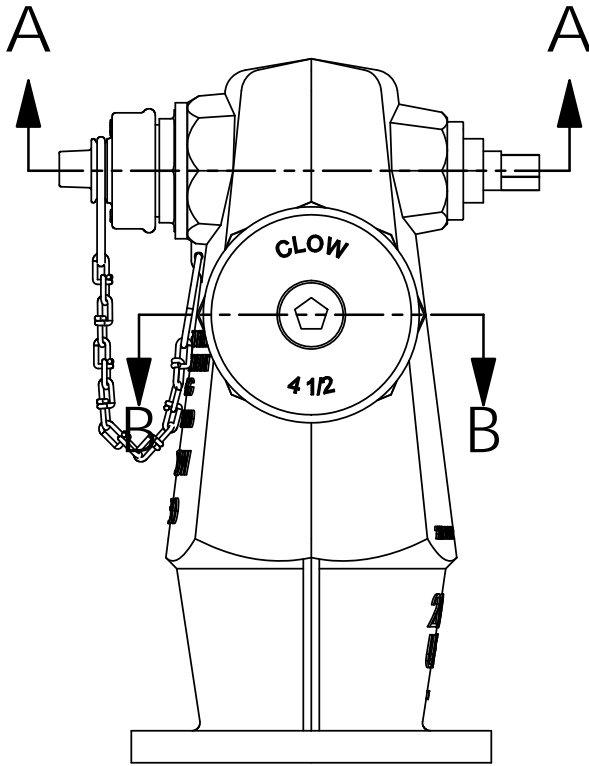


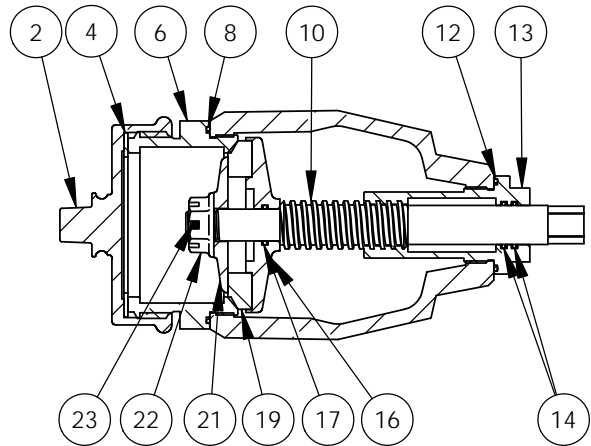
800 SERIES WET BARREL HYDRANT
MATERIAL LIST

CLOW VALVE COMPANY

MODELS 810, 850, 860, & 865



SECTION A-A
2 1/2" PORT



SECTION B-B
4 OR 4 1/2" PORT

ITEM	DESCRIPTION	MATERIAL
1	Hose Cap	Cast Iron or Plastic
2	Pumper Cap	Cast Iron or Plastic
3	Hose Cap Gasket	Rubber
4	Pumper Cap Gasket	Rubber
5	Hose Outlet Nozzle	Copper Alloy
6	Pumper Outlet Nozzle	Copper Alloy
7	Hose Nozzle O-Ring	Rubber
8	Pumper Nozzle O-Ring	Rubber
9	Hose Port Stem	Copper Alloy
10	Pumper Port Stem	Copper Alloy
11	Body	Grey Iron or Ductile Iron
12	Stem Sleeve O-Ring - External	Rubber
13	Stem Sleeve	Copper Alloy
14	Stem Sleeve O-Ring - Internal	Rubber
15	Hose Valve Carrier	Copper Alloy
16	Pumper Valve Carrier	Copper Alloy
17	Carrier O-Ring	Rubber
18	Hose Valve Seat	Rubber
19	Pumper Valve Seat	Rubber
20	Hose Valve Retainer	Copper Alloy
21	Pumper Valve Retainer	Copper Alloy
22	Retaining Nut	Copper Alloy
23	Cotter Pin	Copper Alloy
24	Chain Assembly	Steel