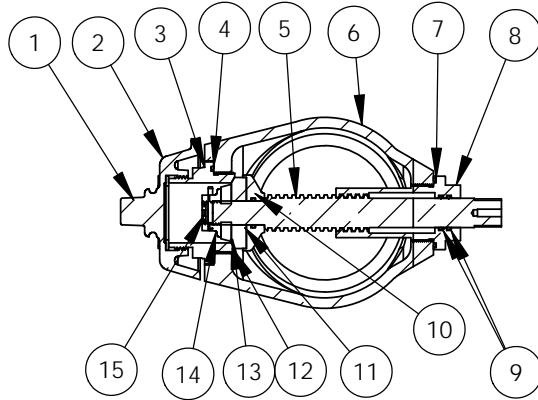
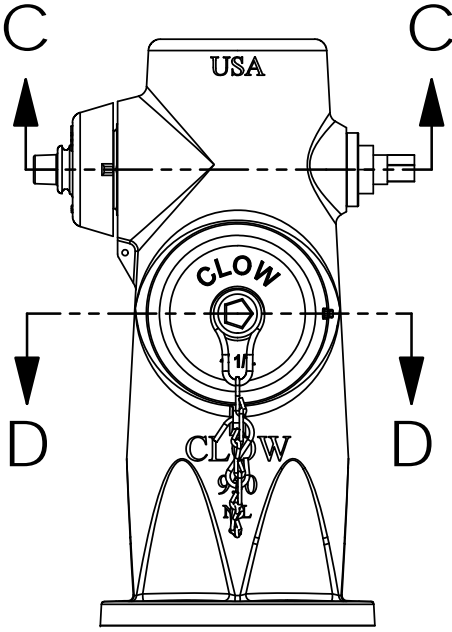


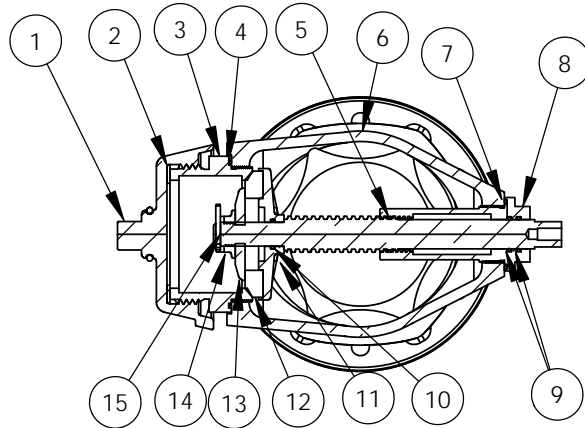
900 SERIES WET BARREL HYDRANT  
MATERIAL LIST

**CLOW VALVE COMPANY**

MODELS 950, 960



SECTION C-C  
2 1/2" PORT



SECTION D-D  
4 OR 4 1/2" PORT

ITEM	DESCRIPTION	MATERIAL
1	Outlet Nozzle Cap	Gray Iron
2	Outlet Nozzle Gasket(Gray Iron Only)	Rubber
3	Hose Outlet Nozzle or Pumper Outlet Nozzle	Copper Alloy
4	Nozzle O-Ring	Rubber
5	Stem	Copper Alloy
6	Body	Gray Iron
7	Stuffing Box O-Ring	Rubber
8	Stuffing Box	Copper Alloy
9	Stuffing Box O-Ring	Rubber
10	Valve Carrier	Copper Alloy
11	Carrier O-Ring	Rubber
12	Valve Washer	Copper Alloy
13	Valve Washer Retainer	Copper Alloy
14	Retaining Nut	Copper Alloy
15	Cotter Pin	Copper Alloy
16	Chain Assembly	Steel